



Part Number: M-7213-F15CF
Part Description: 2016-18 F-Series Carbon Fiber Shift Knob

NO PART OF THIS DOCUMENT MAY BE REPRODUCED WITHOUT PRIOR AGREEMENT AND WRITTEN PERMISSION OF
FORD PERFORMANCE PARTS

Please visit www.performanceparts.ford.com for the most current instruction and warranty information.

PLEASE READ ALL OF THE FOLLOWING INSTRUCTIONS CAREFULLY PRIOR TO INSTALLATION. AT ANY TIME YOU DO NOT UNDERSTAND THE INSTRUCTIONS, PLEASE CALL THE FORD PERFORMANCE TECHLINE AT 1-800-367-3788

Please use the following Ford Motor Company Service Manual Sections to install your new Shift Knob.

Selector Lever Knob

Removal

NOTE: *Removal steps in this procedure may contain installation details.*

Factory Ford shop manuals are available from Helm Publications, 1-800-782-4356

NO PART OF THIS DOCUMENT MAY BE REPRODUCED WITHOUT PRIOR AGREEMENT AND WRITTEN PERMISSION OF FORD PERFORMANCE PARTS

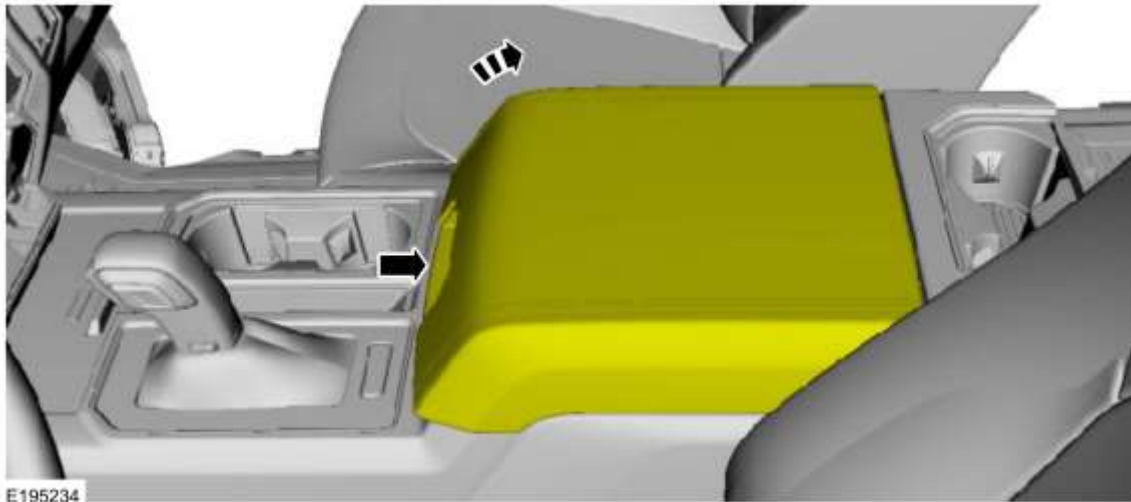
1. Remove the selector lever bezel.

Selector Lever Bezel

Removal

NOTE: *Removal steps in this procedure may contain installation details.*

1. Open the console.



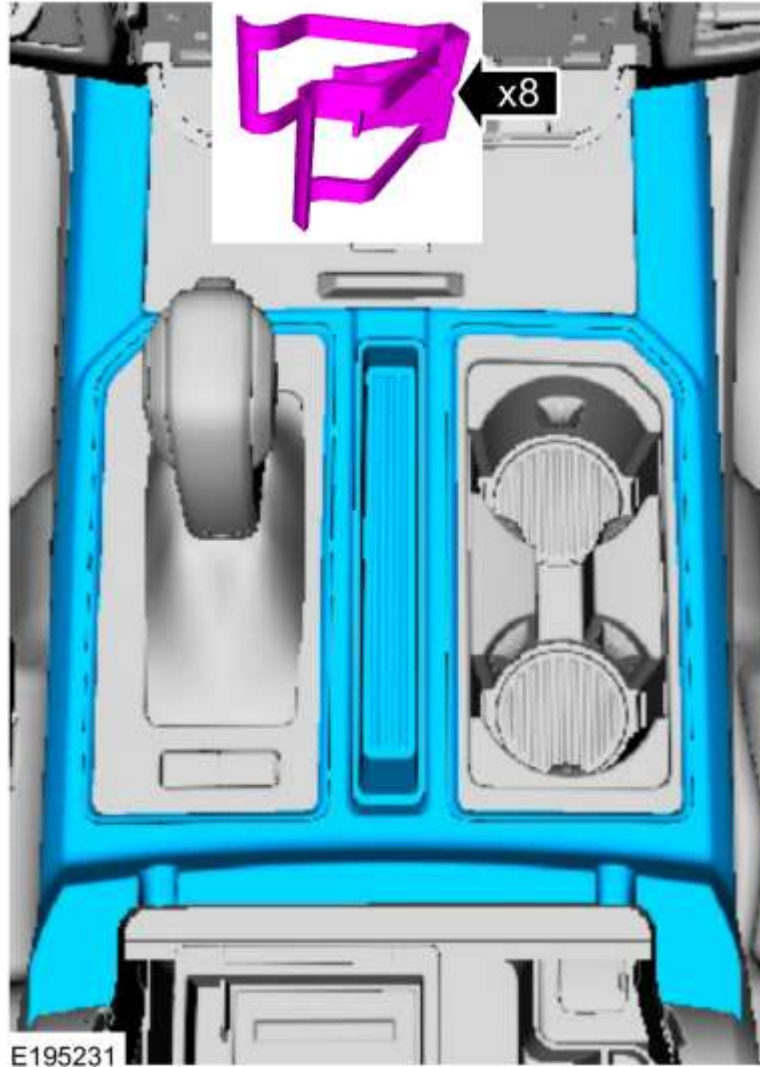
2. Remove the console trim panel.



FORD PERFORMANCE

Part Number: M-7213-F15CF
Part Description: 2016-18 F-Series Carbon Fiber Shift Knob

NO PART OF THIS DOCUMENT MAY BE REPRODUCED WITHOUT PRIOR AGREEMENT AND WRITTEN PERMISSION OF FORD PERFORMANCE PARTS

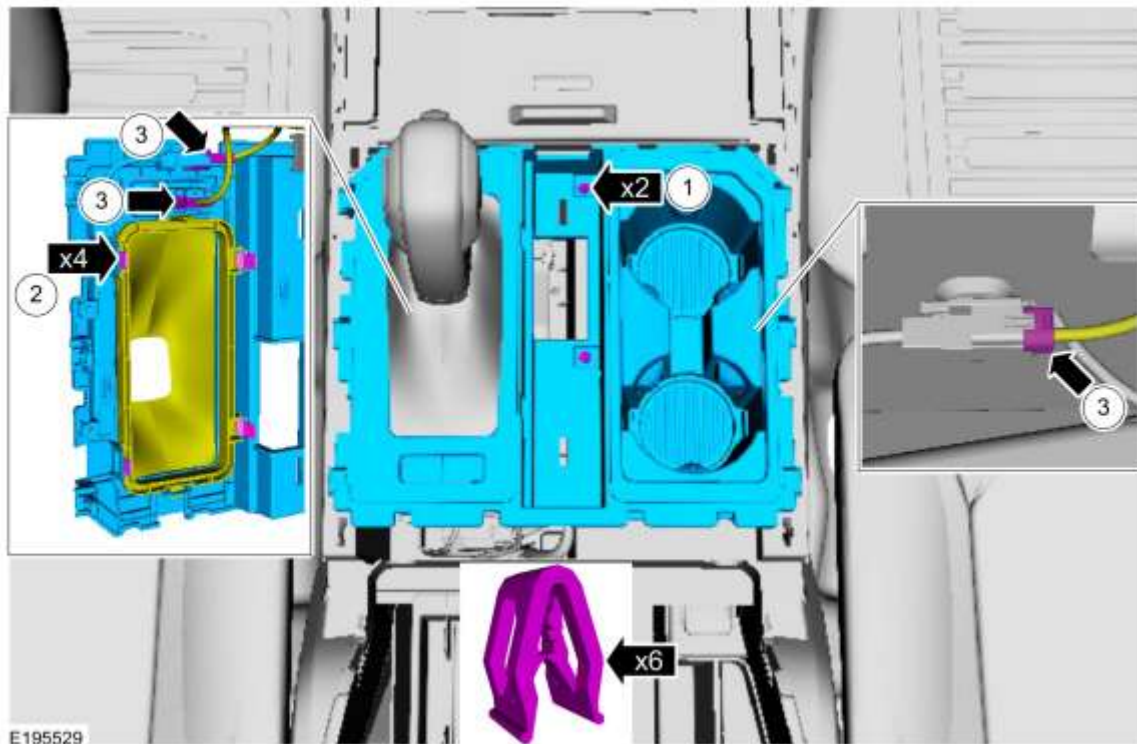


3. Remove the selector lever bezel.

Factory Ford shop manuals are available from Helm Publications, 1-800-782-4356

NO PART OF THIS DOCUMENT MAY BE REPRODUCED WITHOUT PRIOR AGREEMENT AND WRITTEN PERMISSION OF FORD PERFORMANCE PARTS

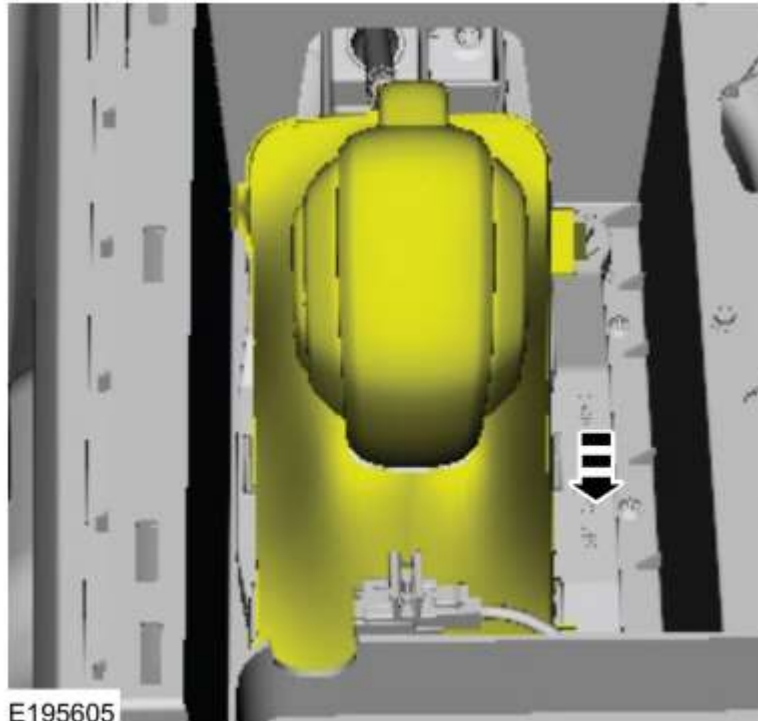
1. Remove the screws and lift the bezel to access the selector lever knob boot and the electrical connectors.
2. Release the tabs and disconnect the selector lever knob boot.
3. Disconnect the electrical connectors.



NO PART OF THIS DOCUMENT MAY BE REPRODUCED WITHOUT PRIOR AGREEMENT AND WRITTEN PERMISSION OF
FORD PERFORMANCE PARTS

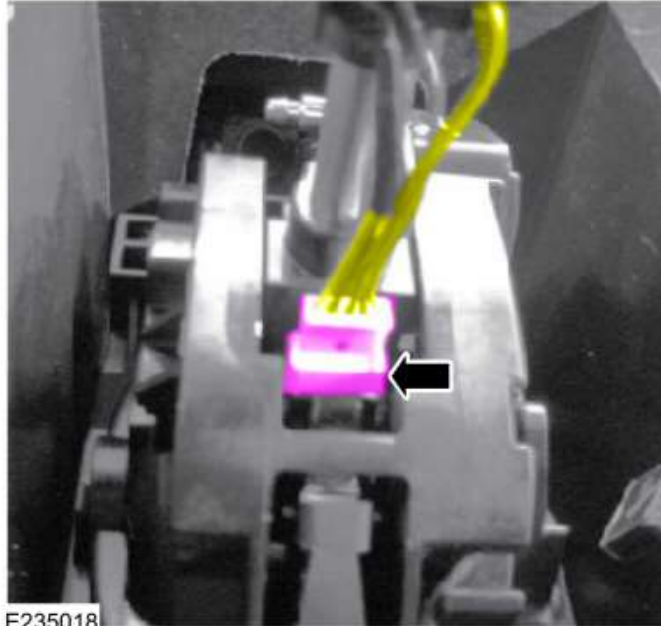
Selector Lever Knob (removal continued)

1. Shift the selector lever into 1.

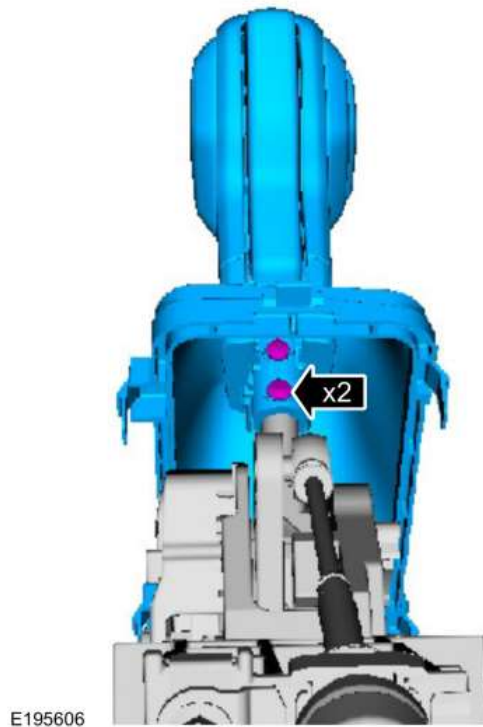


NO PART OF THIS DOCUMENT MAY BE REPRODUCED WITHOUT PRIOR AGREEMENT AND WRITTEN PERMISSION OF FORD PERFORMANCE PARTS

2. Disconnect the electrical connector.



3. Remove the screws and the selector lever knob and boot.



Factory Ford shop manuals are available from Helm Publications, 1-800-782-4356

NO PART OF THIS DOCUMENT MAY BE REPRODUCED WITHOUT PRIOR AGREEMENT AND WRITTEN PERMISSION OF
FORD PERFORMANCE PARTS

4. Remove the selector lever knob from the boot.



E195607

Selector Lever Knob Installation

1. To install, reverse the removal procedure.

Selector Lever Bezel Installation

1. To install, reverse the removal procedure.