



M-FR3-FA 2011-2012 Fiesta Handling Pack INSTALLATION INSTRUCTIONS

NO PART OF THIS DOCUMENT MAY BE REPRODUCED WITHOUT PRIOR AGREEMENT AND WRITTEN PERMISSION OF FORD RACING PERFORMANCE PARTS.

Please visit www.fordracingparts.com for the most current instruction information

!!! PLEASE READ ALL OF THE FOLLOWING INSTRUCTIONS CAREFULLY PRIOR TO INSTALLATION. AT ANY TIME YOU DO NOT UNDERSTAND THE INSTRUCTIONS, PLEASE CALL THE FORD RACING TECHLINE AT 1-800-367-3788 !!!

Strut and Spring Assembly

Removal and Installation:

IMPORTANT NOTE: Suspension fasteners are critical parts because they affect performance of vital components and systems and their failure may result in major service expense. New parts must be installed with the same part numbers or equivalent part, if replacement is necessary. Do not use a replacement part of lesser quality or substitute design. Torque values must be used as specified during reassembly to make sure correct retention of these parts.

IMPORTANT NOTE: Support the strut and spring assembly to prevent damage.

STEP 1: Remove the wheel and tire.

NOTE: Drivers side only

STEP 2: Position aside the brake fluid reservoir (main container).

- To install, tighten to 7 Nm (62 lb-in).

STEP 3: Position aside the air conditioner hose support bracket.

- To install, tighten to 7 Nm (62 lb-in).

STEP 4: Remove and discard the 3 strut and spring assembly upper mount nuts.

- To install, tighten the new nuts to 30 Nm (22 lb-ft).



Factory Ford shop manuals are available from Helm Publications, 1-800-782-4356

NO PART OF THIS DOCUMENT MAY BE REPRODUCED WITHOUT PRIOR AGREEMENT AND WRITTEN PERMISSION OF FORD RACING PERFORMANCE PARTS.

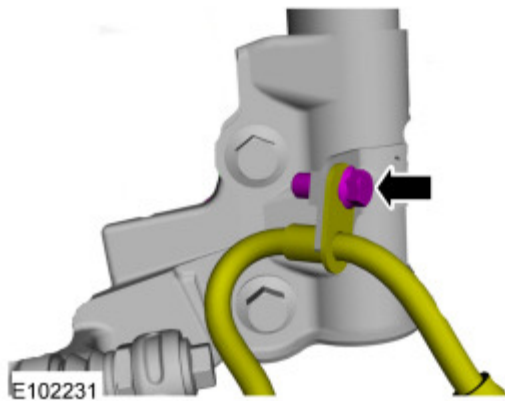
STEP 5: Disconnect the wheel speed sensor harness from the strut and spring assembly bracket.

STEP 6: Remove the stabilizer bar link upper nut and detach the link from the strut.

- Discard the nut.
- To install, tighten the new nut to 55 Nm (41 lb-ft).

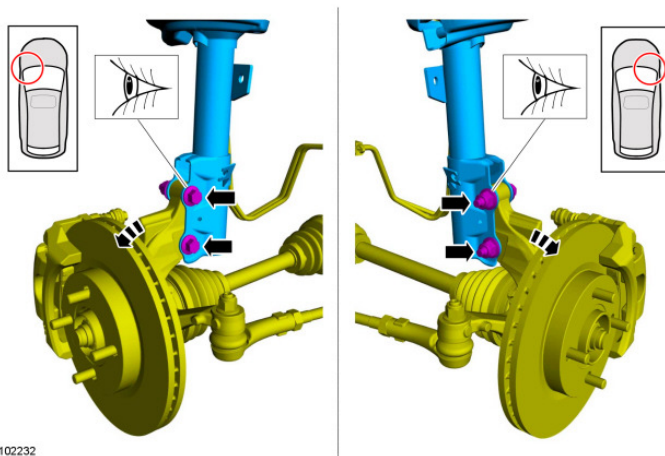
STEP 7: Remove the brake flexible hose bracket bolt and disconnect the hose from the strut and spring assembly.

- To install, tighten to 26 Nm (19 lb-ft).



STEP 8: Remove the wheel knuckle-to-strut nuts, bolts and the strut and spring assembly.

- Discard the wheel knuckle-to-strut nuts and bolts.
- To install, tighten the new wheel knuckle-to-strut nuts to 80 Nm (59 lb-ft) and then tighten an additional 90 degrees.



Factory Ford shop manuals are available from Helm Publications, 1-800-782-4356



M-FR3-FA
2011-2012 Fiesta Handling Pack
INSTALLATION INSTRUCTIONS

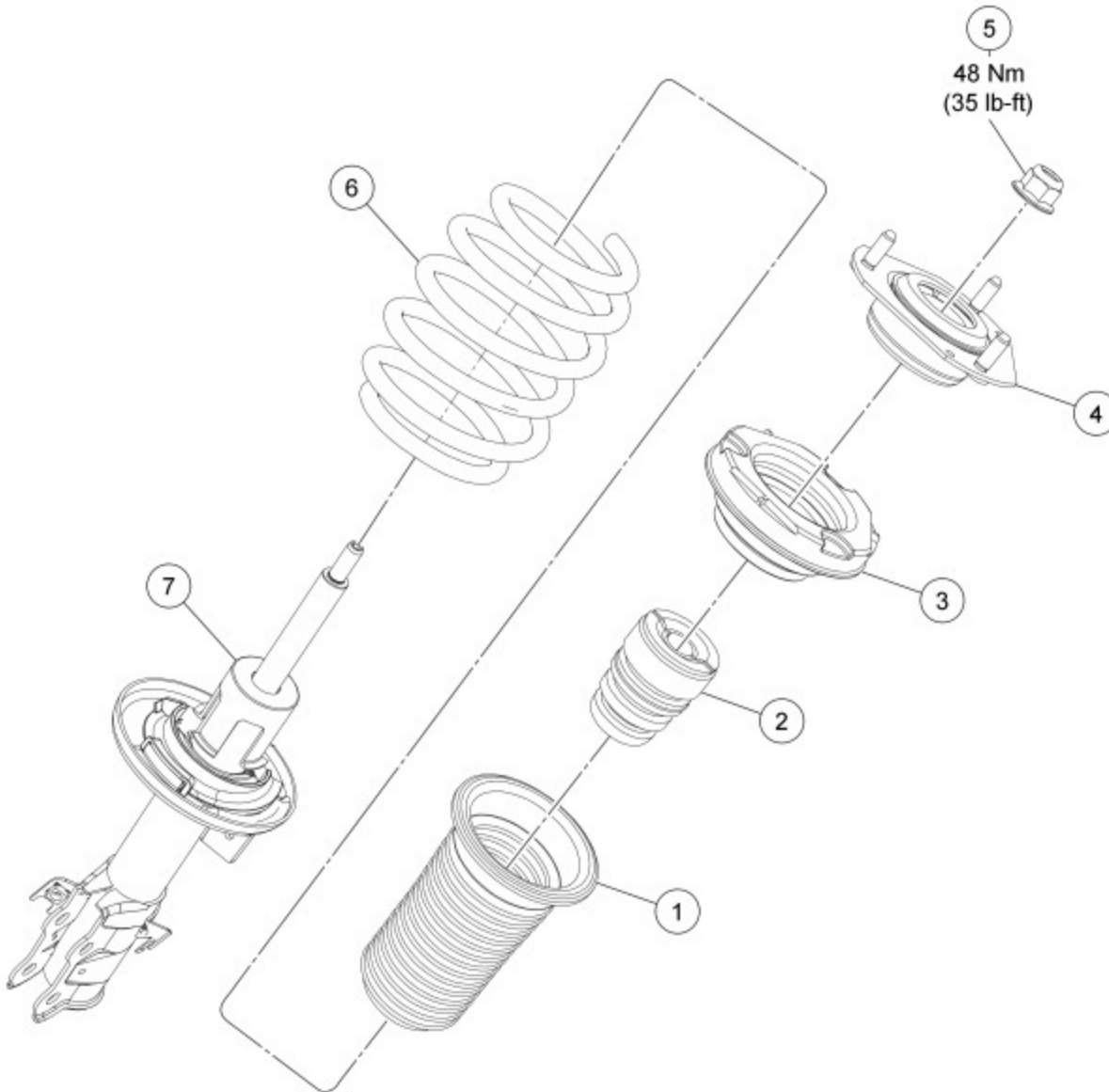
NO PART OF THIS DOCUMENT MAY BE REPRODUCED WITHOUT PRIOR AGREEMENT AND WRITTEN PERMISSION OF FORD RACING PERFORMANCE PARTS.

- STEP 9:** **NOTE:** Insert LH knuckle-to-strut bolts from the knuckle arm side.
 Insert RH knuckle-to-strut bolts from the brake caliper side.
 To install, reverse the removal procedure.
- STEP 10:** Check and, if necessary, align the front end.

Factory Ford shop manuals are available from Helm Publications, 1-800-782-4356

NO PART OF THIS DOCUMENT MAY BE REPRODUCED WITHOUT PRIOR AGREEMENT AND WRITTEN PERMISSION OF FORD RACING PERFORMANCE PARTS.

Strut and Spring Assembly



N0111714





M-FR3-FA 2011-2012 Fiesta Handling Pack INSTALLATION INSTRUCTIONS

NO PART OF THIS DOCUMENT MAY BE REPRODUCED WITHOUT PRIOR AGREEMENT AND WRITTEN PERMISSION OF FORD RACING PERFORMANCE PARTS.

Item	Part Number	Description
1	5349	Dust boot
2	3020	Jounce bumper
3	18198	Spring upper seat and bearing assembly
4	18183	Upper mount
5	W708922	Strut rod nut
6	5310	Spring
7	18124	Strut assembly


Disassembly and Assembly:

 **WARNING:** Do not apply heat or flame to the shock absorber or strut tube. The shock absorber and strut tube are gas pressurized and could explode if heated. Failure to follow this instruction may result in serious personal injury.

 **WARNING:** Keep all body parts clear of shock absorbers or strut rods. Shock absorbers or struts can extend unassisted. Failure to follow this instruction may result in serious personal injury.

IMPORTANT NOTE: Suspension fasteners are critical parts because they affect performance of vital components and systems and their failure can result in major service expense. A new part with the same part number must be installed if installation is necessary. Do not use a new part of lesser quality or substitute design. Torque values must be used as specified during reassembly to make sure of correct retention of these parts.

IMPORTANT NOTE: When installing a suitable spring compressor, use care not to damage the spring coating.

 **WARNING:** Do not attempt to disassemble the shock absorber and spring assembly without using a spring compressor. Assemblies are under extreme load. Failure to follow this instruction may result in serious personal injury.

 **WARNING:** The coil spring is under extreme load. Care must be taken at all times when removing or installing a loaded spring. Failure to follow this instruction may result in serious personal injury.

STEP 1: Using a suitable coil spring compressor, compress the spring.

STEP 2: **NOTE:** Use the hex-holding feature to prevent the strut rod from rotating while removing the nut. Carefully remove and discard the strut rod nut.
a. To install, tighten the new nut to 48 Nm (35 lb-ft).

STEP 3: Remove the upper mount, spring upper seat and bearing assembly and the dust boot.

STEP 4: Remove the strut and jounce bumper.

Factory Ford shop manuals are available from Helm Publications, 1-800-782-4356

NO PART OF THIS DOCUMENT MAY BE REPRODUCED WITHOUT PRIOR AGREEMENT AND WRITTEN PERMISSION OF FORD RACING PERFORMANCE PARTS.

STEP 5: Carefully remove the spring from the spring compressor.

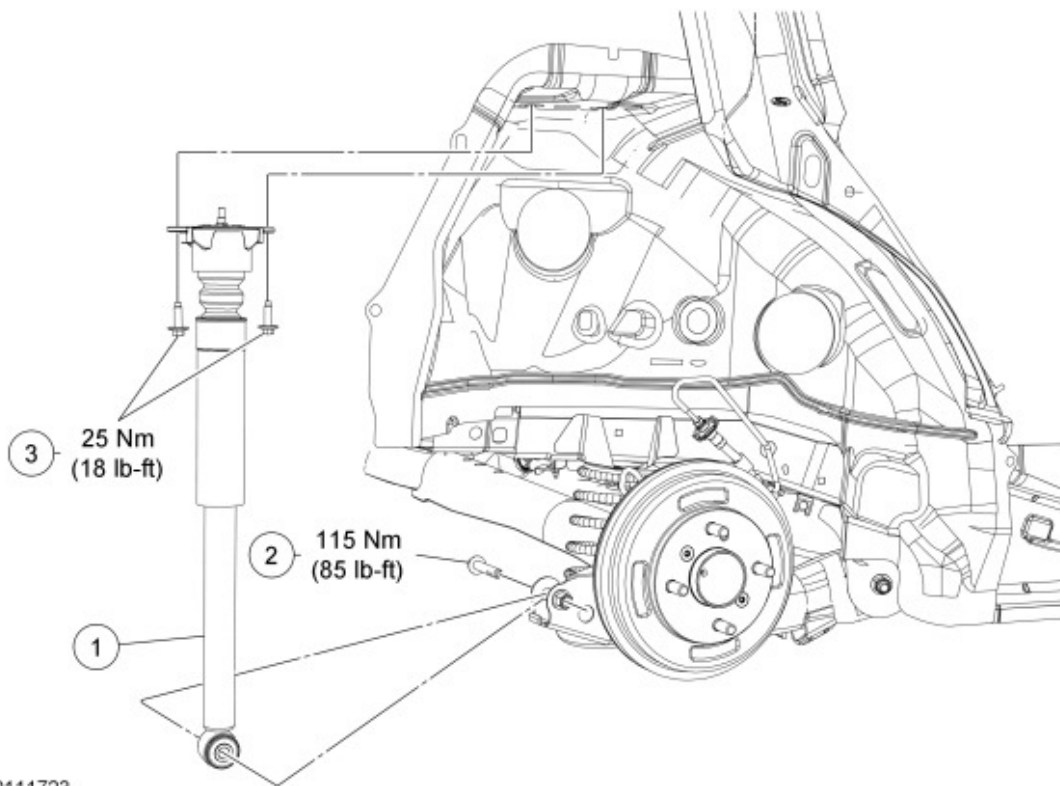
IMPORTANT NOTE: Make sure the upper mount is correctly seated before assembly or damage to the upper mount may occur.

IMPORTANT NOTE: Make sure the spring is installed with the flat surface facing up and with the spring end correctly positioned against the spring seat (color code at the bottom). This is to prevent spring seat damage and incorrect spring position.

NOTE: During assembly, apply the specified silicone brake grease to the strut rod and the top and sides of the outermost part of the dust boot.

To assemble, reverse the disassembly procedure.

Shock Absorber:



N0111723

Item	Part Number	Description
1	18125	Shock absorber
2	W713343	Shock absorber lower bolt
3	W708828	Shock absorber upper bolt (2 required)

Factory Ford shop manuals are available from Helm Publications, 1-800-782-4356

NO PART OF THIS DOCUMENT MAY BE REPRODUCED WITHOUT PRIOR AGREEMENT AND WRITTEN PERMISSION OF FORD RACING PERFORMANCE PARTS.

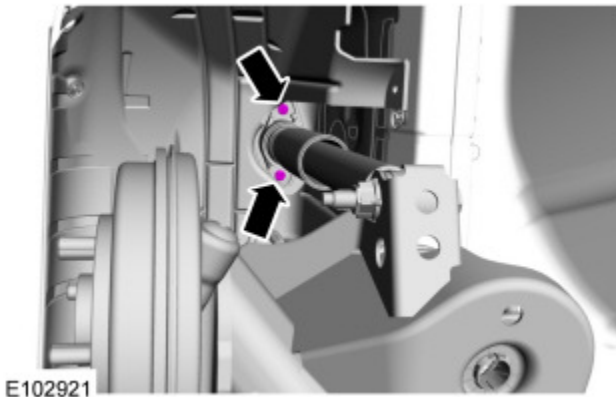
Removal:

IMPORTANT NOTE: Suspension fasteners are critical parts that affect performance of vital components and systems. Failure of these fasteners may result in major service expense. Use the same or equivalent parts if replacement is necessary. Do not use a replacement part of lesser quality or substitute design. Tighten fasteners as specified.

STEP 1: Using a suitable jackstand, support the rear axle.

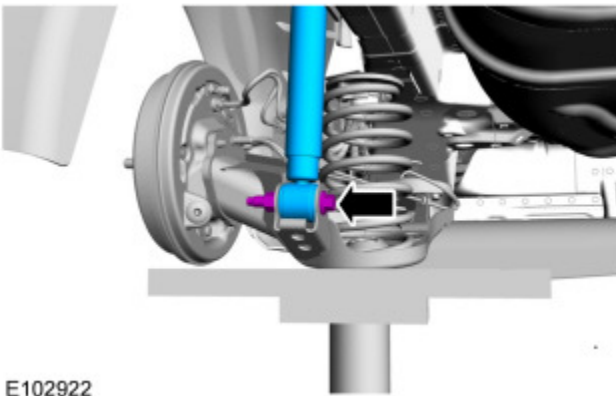
STEP 2: Remove and discard the two shock absorber upper bolts.

- To install, tighten the new bolts to 25 Nm (18 lb-ft).



STEP 3: Remove and discard the shock absorber lower bolt and remove the shock absorber.

- To install, tighten the new bolt to 115 Nm (85 lb-ft).



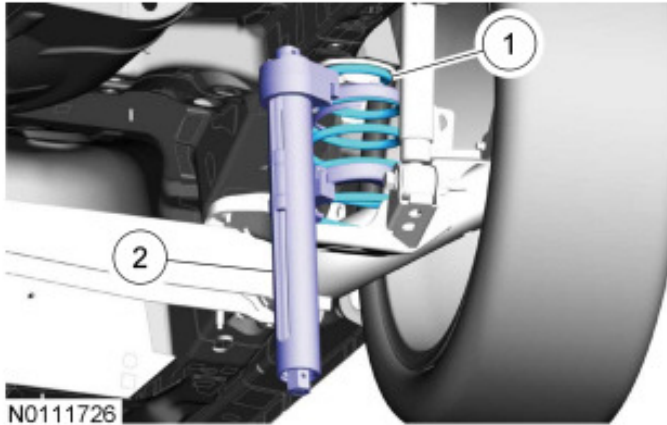
STEP 4: **IMPORTANT NOTE:** Tighten the shock absorber lower bolt while the suspension is at curb height or bushing damage and incorrect clamp load may occur.

To install, reverse the removal procedure.

Factory Ford shop manuals are available from Helm Publications, 1-800-782-4356

NO PART OF THIS DOCUMENT MAY BE REPRODUCED WITHOUT PRIOR AGREEMENT AND WRITTEN PERMISSION OF FORD RACING PERFORMANCE PARTS.

Spring Remove and Replace:



Item	Part Number	Description
1	5560	Spring
2	—	Spring compressor

Removal and Installation:



WARNING: The coil spring is under extreme load. Care must be taken at all times when removing or installing a loaded spring. Failure to follow this instruction may result in serious personal injury.

STEP 1: Using a suitable spring compressor, compress the spring.

STEP 2: Remove the spring.

STEP 3: **IMPORTANT NOTE:** Make sure the upper spring seat is installed, and the spring ends butt correctly against the upper and lower spring seats.

To install, reverse the removal procedure.