



# M-63660005-MC 2012-2013 FORD RACING RECARO MUSTANG SEAT INSTALLATION INSTRUCTIONS

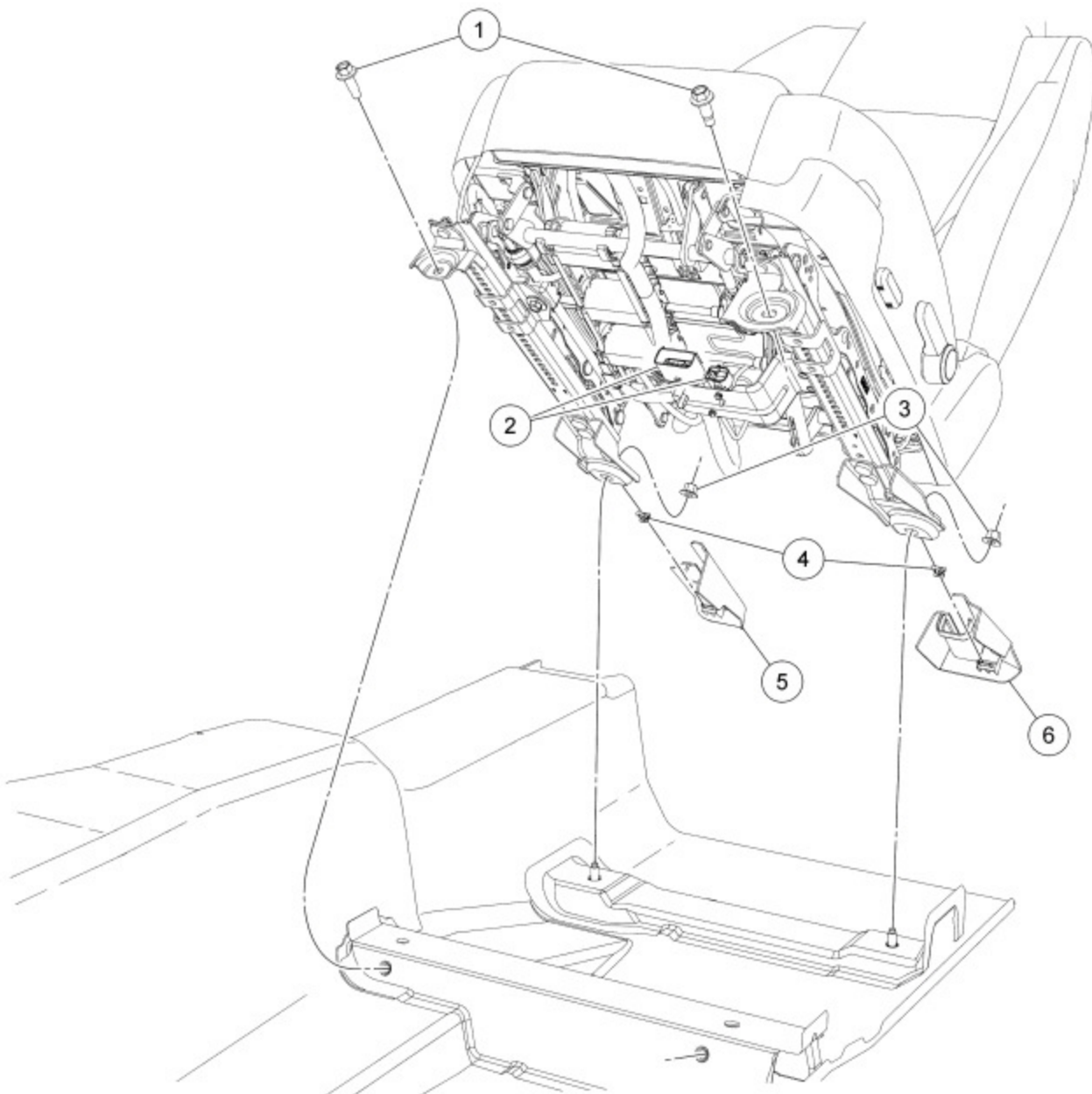
NO PART OF THIS DOCUMENT MAY BE REPRODUCED WITHOUT PRIOR AGREEMENT AND WRITTEN PERMISSION OF FORD RACING PERFORMANCE PARTS.

Please visit [www.fordracingparts.com](http://www.fordracingparts.com) for the most current instruction information

**!!! PLEASE READ ALL OF THE FOLLOWING INSTRUCTIONS CAREFULLY PRIOR TO INSTALLATION.  
AT ANY TIME YOU DO NOT UNDERSTAND THE INSTRUCTIONS, PLEASE CALL THE FORD RACING  
TECHLINE AT 1-800-367-3788 !!!**

## Seat Removal — Front:

NOTE: LH shown, RH similar.



Factory Ford shop manuals are available from Helm Publications, 1-800-782-4356



## M-63660005-MC 2012-2013 FORD RACING RECARO MUSTANG SEAT INSTALLATION INSTRUCTIONS

NO PART OF THIS DOCUMENT MAY BE REPRODUCED WITHOUT PRIOR AGREEMENT AND WRITTEN PERMISSION OF FORD RACING PERFORMANCE PARTS.

Item	Part Number	Description
1	—	Seat mounting front bolts (2 required)
2	—	Seat electrical connectors (part of 14A699)
3	W520113	Seat mounting rear nuts (2 required)
4	—	Rear nut cover retainers (2 required) (part of 61748)
5	61748	Rear nut cover, inboard
6	61748	Rear nut cover, outboard

### Seat Removal:

**⚠ WARNING:** Never probe the electrical connectors on air bag, Safety Canopy® or side air curtain modules. Failure to follow this instruction may result in the accidental deployment of these modules, which increases the risk of serious personal injury or death.

**NOTE:** The air bag warning indicator illuminates when the correct Restraints Control Module (RCM) fuse is removed and the ignition is ON.

**NOTE:** The Supplemental Restraint System (SRS) must be fully operational and free of faults before releasing the vehicle to the customer.

**STEP 1:** Position the seat to access all seat mounting fasteners and depower the SRS.

### Supplemental Restraint System (SRS) Depowering:

#### Special Tool(s)



ST2834-A

Vehicle Communication Module (VCM) and Integrated Diagnostic System (IDS) software with appropriate hardware, or equivalent scan tool

#### Depowering Procedure

**⚠ WARNING:** Wear eye protection when servicing a vehicle. Failure to follow this instruction may result in serious personal injury.

**⚠ WARNING:** Never probe the electrical connectors on airbag, Safety Canopy or side air curtain assemblies. Failure to follow this instruction may result in the accidental deployment of these assemblies, which increases the risk of serious personal injury or death.

**⚠ WARNING:** To reduce the risk of accidental deployment, do not use any memory saver devices. Failure to follow this instruction may result in serious personal injury or death.

Factory Ford shop manuals are available from Helm Publications, 1-800-782-4356



## M-63660005-MC 2012-2013 FORD RACING RECARO MUSTANG SEAT INSTALLATION INSTRUCTIONS

NO PART OF THIS DOCUMENT MAY BE REPRODUCED WITHOUT PRIOR AGREEMENT AND WRITTEN PERMISSION OF FORD RACING PERFORMANCE PARTS.

**NOTE:** *The air bag warning indicator illuminates when the correct Restraints Control Module (RCM) fuse is removed and the ignition is ON.*

**NOTE:** *The Supplemental Restraint System (SRS) must be fully operational and free of faults before releasing the vehicle to the customer.*

**STEP 1:** Turn all vehicle accessories OFF.

**STEP 2:** Turn the ignition to OFF.

**STEP 3:** At the Smart Junction Box (SJB) , located in the RH lower kick panel, remove the cover and the RCM fuse 31 (10A) from the SJB . For additional information, refer to the Wiring Diagrams manual.

**STEP 4:** Turn the ignition ON and monitor the air bag indicator for at least 30 seconds. The air bag indicator will remain lit continuously (no flashing) if the correct RCM fuse has been removed. If the air bag indicator does not remain lit continuously, remove the correct RCM fuse before proceeding.

**STEP 5:** Turn the ignition to OFF.

**STEP 6:**

**⚠ WARNING:** Always deplete the backup power supply before repairing or installing any new front or side air bag supplemental restraint system (SRS) component and before servicing, removing, installing, adjusting or striking components near the front or side impact sensors or the restraints control module (RCM). Nearby components include doors, instrument panel, console, door latches, strikers, seats and hood latches. Refer to the Description and Operation for location of the RCM and impact sensor(s).

### Description and Operation:

#### **Airbag and Safety Belt Pretensioner Supplemental Restraint System (SRS)**

The air bag Supplemental Restraint System (SRS) is designed to provide increased collision protection for front seat occupants, in addition to the 3-point safety belt system. Safety belt use is necessary to obtain the best occupant protection and to receive the full advantage of the SRS .

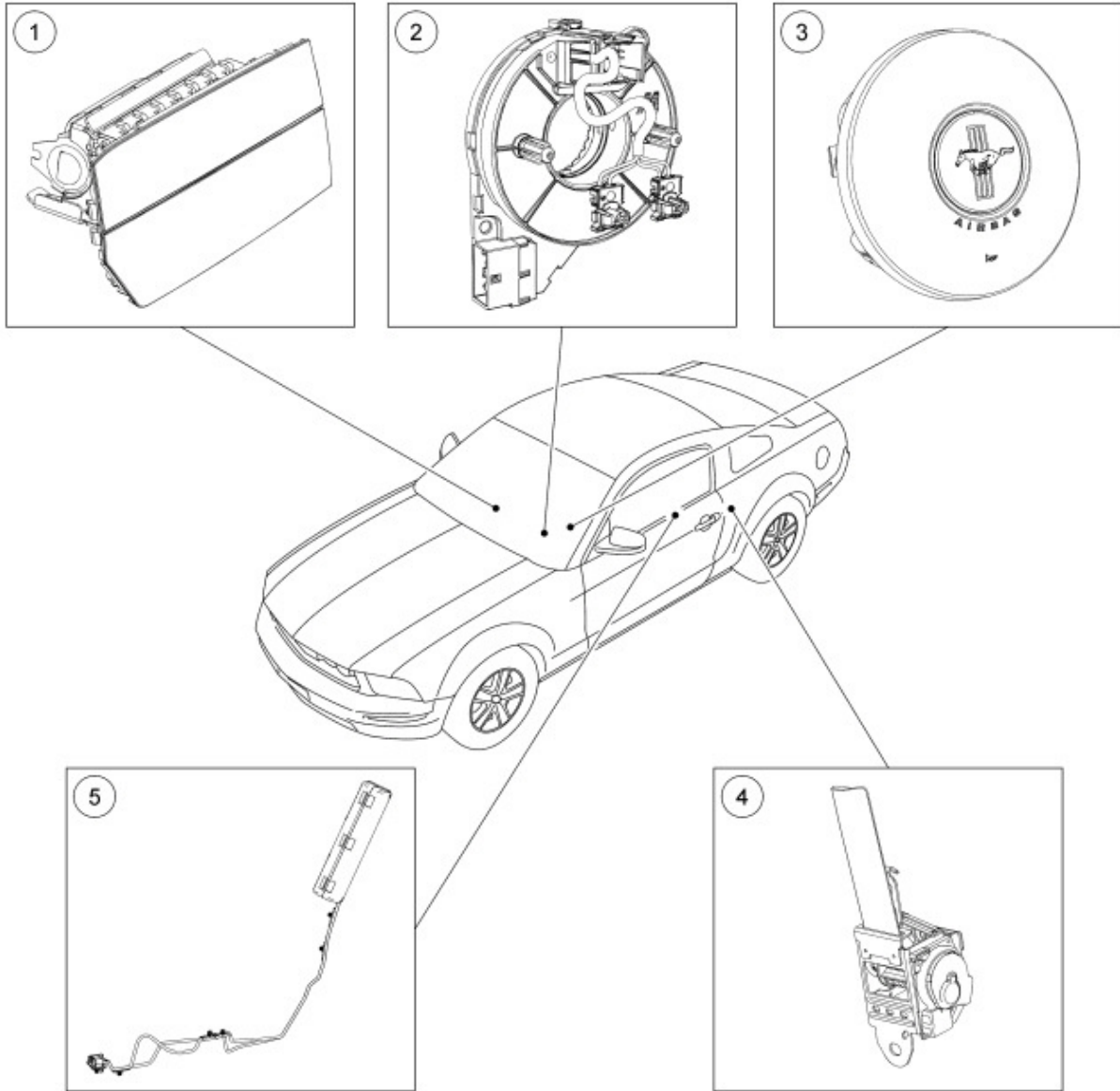
The serviceable air bag and safety belt pretensioner SRS components are shown in the following illustrations.

#### **Air Bag and Safety Belt Pretensioner Supplemental Restraint System (SRS) Components (Illustration 1 of 2)**

Factory Ford shop manuals are available from Helm Publications, 1-800-782-4356

# M-63660005-MC 2012-2013 FORD RACING RECARO MUSTANG SEAT INSTALLATION INSTRUCTIONS

NO PART OF THIS DOCUMENT MAY BE REPRODUCED WITHOUT PRIOR AGREEMENT AND WRITTEN PERMISSION OF FORD RACING PERFORMANCE PARTS.

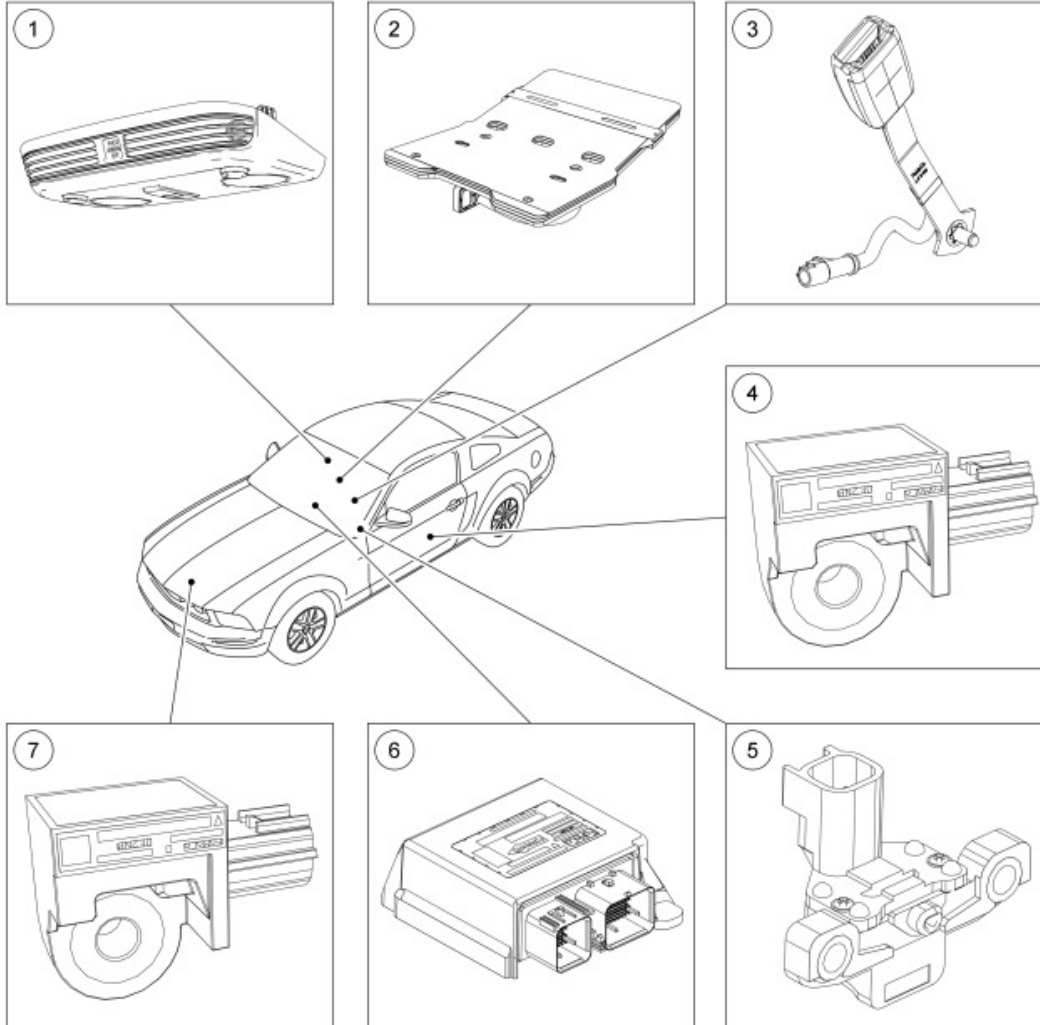


Item	Part Number	Description
1	044A74	Passenger air bag module assembly (includes air bag trim cover [04338])
2	14A664	Clockspring
3	043B13	Driver air bag module
4	611B09 LH/ 611B08 RH	Safety belt retractor and pretensioner (includes Belt Tension Sensor (BTS) [part of 611B08])
5	611D11 LH/ 611D10 RH	Seat side air bag module

Factory Ford shop manuals are available from Helm Publications, 1-800-782-4356

NO PART OF THIS DOCUMENT MAY BE REPRODUCED WITHOUT PRIOR AGREEMENT AND WRITTEN PERMISSION OF FORD RACING PERFORMANCE PARTS.

**Air Bag and Safety Belt Pretensioner Supplemental Restraint System (SRS) Components (Illustration 2 of 2)**



Item	Part Number	Description
1	—	Passenger Air Bag Deactivation (PAD) indicator (part of 519A70)
2	—	Occupant Classification System (OCS) system (bladder and hose with pressure sensor and integrated Occupant Classification System Module (OCSM) ) (part of 632A22)
3	61203	Safety belt buckle (includes safety belt buckle switch)
4	14B345	Driver side impact sensor
5	14B416	Seat track position sensor
6	14B321	Restraints Control Module (RCM)
7	14B345	Front impact severity sensor

Factory Ford shop manuals are available from Helm Publications, 1-800-782-4356



## M-63660005-MC 2012-2013 FORD RACING RECARO MUSTANG SEAT INSTALLATION INSTRUCTIONS

NO PART OF THIS DOCUMENT MAY BE REPRODUCED WITHOUT PRIOR AGREEMENT AND WRITTEN PERMISSION OF FORD RACING PERFORMANCE PARTS.

To deplete the backup power supply energy, disconnect the battery ground cable and wait at least 1 minute. Be sure to disconnect auxiliary batteries and power supplies (if equipped). Failure to follow these instructions may result in serious personal injury or death in the event of an accidental deployment.

Disconnect the battery ground cable and wait at least one minute.

### Seat Removal Continued:


- STEP 2:** Remove the 2 rear nut covers.
- STEP 3:** Remove the 2 rear nuts.
- STEP 4:** Remove the 2 front bolts.
- STEP 5:** Disconnect the 2 electrical connectors and remove the seat.

### Seat Installation:

- STEP 1:** Position the seat in the vehicle and connect the electrical connectors.
- STEP 2:** Install and hand-tighten the 2 front bolts and 2 rear nuts.
- For manual seat track, make sure both track rails are correctly aligned and locked in position before tightening the seat mounting fasteners.
- STEP 3:** Tighten the seat mounting fasteners in the following sequence:
1. Tighten the inboard front bolt to 48 Nm (35 lb-ft).
  2. Tighten the outboard front bolt to 48 Nm (35 lb-ft).
  3. Tighten the inboard rear nut to 48 Nm (35 lb-ft).
  4. Tighten the outboard rear nut to 48 Nm (35 lb-ft).
- STEP 4:** Install the 2 rear nut covers.
- STEP 5:** Repower the SRS .

### Supplemental Restraint System (SRS) Repowering Procedure:

- STEP 1:** Turn the ignition from OFF to ON.
- STEP 2:** Install RCM fuse 31 (10A) in the SJB and close the cover.
- STEP 3:**

 **WARNING:** Make sure no one is in the vehicle and there is nothing blocking or placed in front of any airbag when the battery is connected. Failure to follow these instructions may result in serious personal injury in the event of an accidental deployment.

Connect the battery ground cable.

Factory Ford shop manuals are available from Helm Publications, 1-800-782-4356



**M-63660005-MC**  
**2012-2013 FORD RACING RECARO MUSTANG SEAT**  
**INSTALLATION INSTRUCTIONS**

NO PART OF THIS DOCUMENT MAY BE REPRODUCED WITHOUT PRIOR AGREEMENT AND WRITTEN PERMISSION OF FORD RACING PERFORMANCE PARTS.

**STEP 4:**

Prove out the SRS as follows:

Turn the ignition from ON to OFF. Wait 10 seconds, then turn the ignition ON and monitor the air bag warning indicator with the air bag modules installed. The air bag warning indicator will light continuously for approximately 6 seconds and then turn off. If an air bag SRS fault is detected, the air bag warning indicator will:

- a) Fail to light.
- b) Remain lit continuously.
- c) Flash.

The flashing might not occur until approximately 30 seconds after the ignition has been turned from the OFF to the ON position. This is the time required to complete testing of the SRS . If the air bag warning indicator is inoperative and a SRS fault exists, a chime will sound in a pattern of 5 sets of 5 beeps. If this occurs, the air bag warning indicator and any SRS fault discovered must be diagnosed and repaired. Clear all RCM and Occupant Classification System Module (OCSM) Continuous Memory Diagnostic Trouble Codes (CMDTCs).

Factory Ford shop manuals are available from Helm Publications, 1-800-782-4356