



M-1447-SDC
2020-2022MY Super Duty
Black Ovals With Camera Provision Kit

NO PART OF THIS DOCUMENT MAY BE REPRODUCED WITHOUT PRIOR AGREEMENT AND WRITTEN PERMISSION OF
FORD PERFORMANCE PARTS © Ford Motor Company 2020

PRIOR TO INSTALLATION READ THESE INSTRUCTION COMPETELY
For questions, Call the FORD PERFORMANCE Techline 1-800-367-3788

Please visit <https://www.performanceparts.ford.com> for warranty information



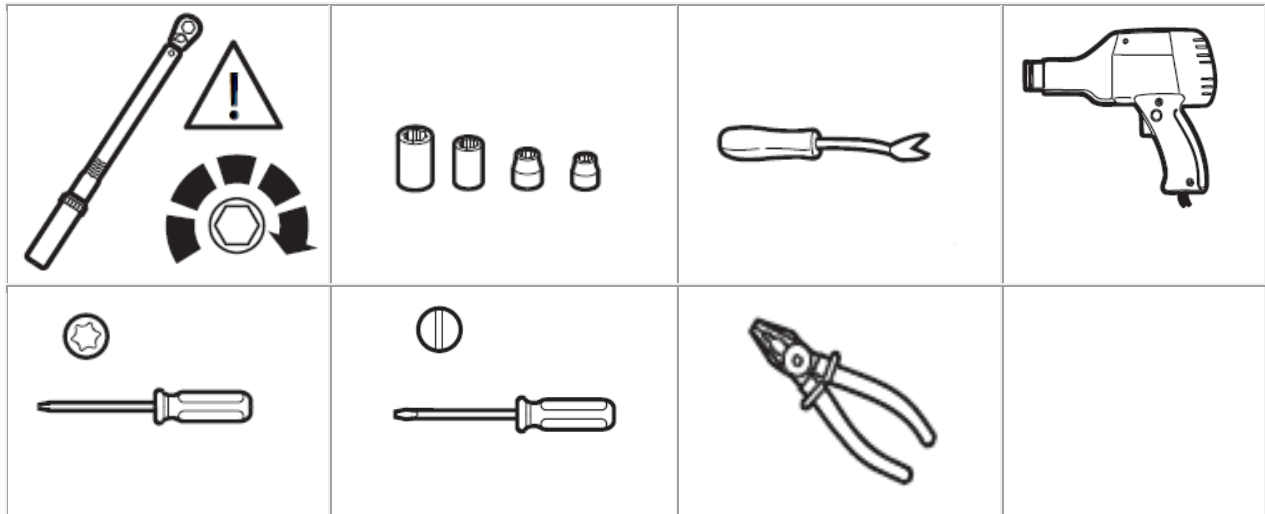
Ford Factory Shop Manual purchase options www.motorcraftservice.com

NO PART OF THIS DOCUMENT MAY BE REPRODUCED WITHOUT PRIOR AGREEMENT AND WRITTEN PERMISSION OF FORD PERFORMANCE PARTS © Ford Motor Company 2020

Kit contents:

Description	Quantity
FPP Super Duty Black Oval (Grille)	1
FPP Super Duty Black Oval (Tailgate)	1

Special Tool(s) / General Equipment



Ford Factory Shop Manual purchase options www.motorcraftservice.com

NO PART OF THIS DOCUMENT MAY BE REPRODUCED WITHOUT PRIOR AGREEMENT AND WRITTEN PERMISSION OF FORD PERFORMANCE PARTS © Ford Motor Company 2020

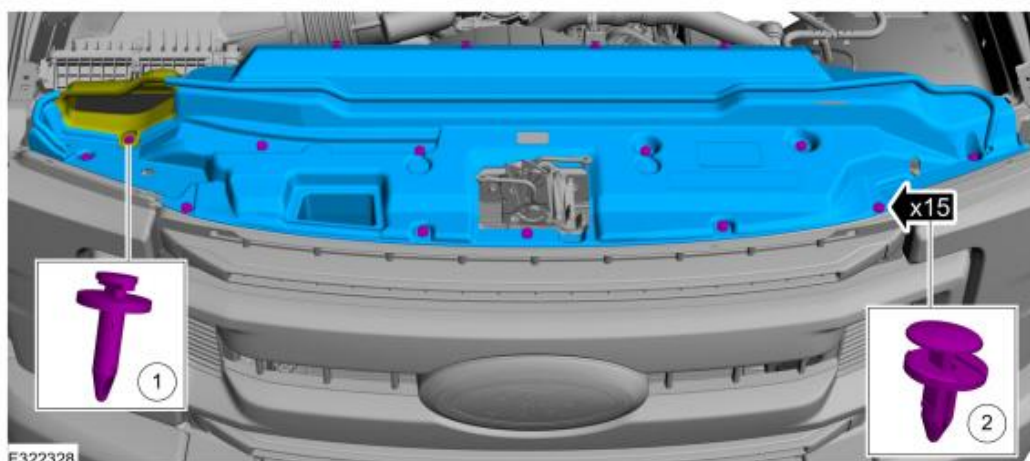
Removal – Grille Oval

NOTE: Removal steps in this procedure may contain installation details.

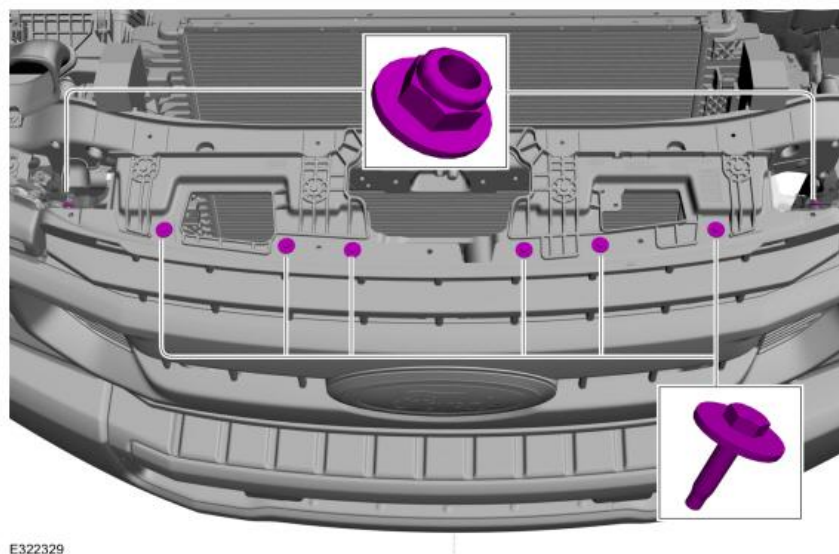
NOTE: Gas engine shown, diesel engine similar.

! Extreme cold weather will cause breakage. A hair dryer can be used to localize warmth before flexing release tabs.

1. Remove the push pin and position the air intake duct aside. Remove the push pins and the upper radiator sight shield.



2. Remove the retainers along the top of the panel. *Torque: 36 lb.in (4.1 Nm)*



Ford Factory Shop Manual purchase options www.motorcraftservice.com

NO PART OF THIS DOCUMENT MAY BE REPRODUCED WITHOUT PRIOR AGREEMENT AND WRITTEN PERMISSION OF FORD PERFORMANCE PARTS © Ford Motor Company 2020

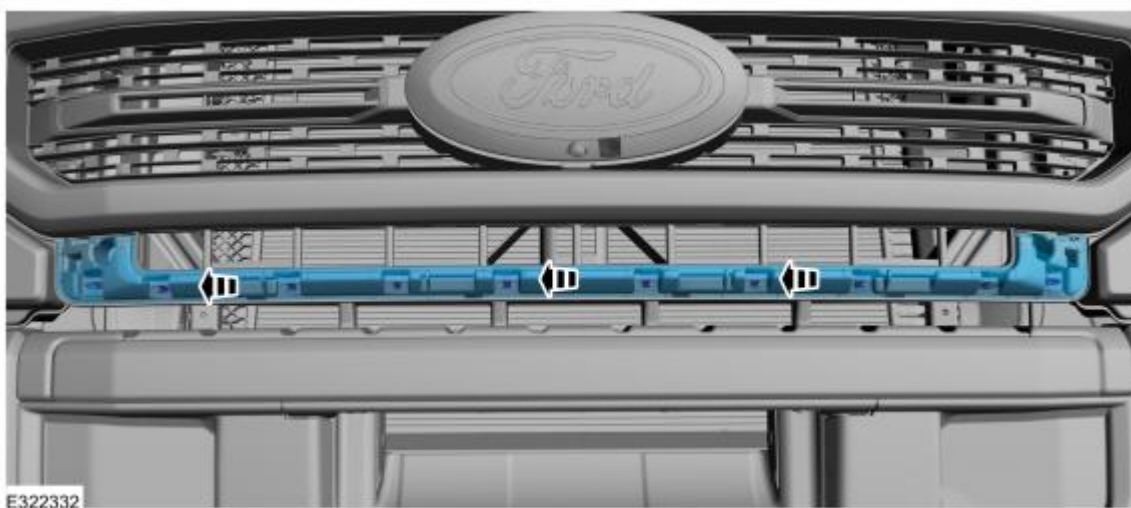
Radiator grille moulding Type 1

3. On both sides, remove the radiator grille mouldings.



Radiator grille moulding Type 2

4. Remove the radiator grille moulding.



Ford Factory Shop Manual purchase options www.motorcraftservice.com

NO PART OF THIS DOCUMENT MAY BE REPRODUCED WITHOUT PRIOR AGREEMENT AND WRITTEN PERMISSION OF FORD PERFORMANCE PARTS © Ford Motor Company 2020

All vehicles

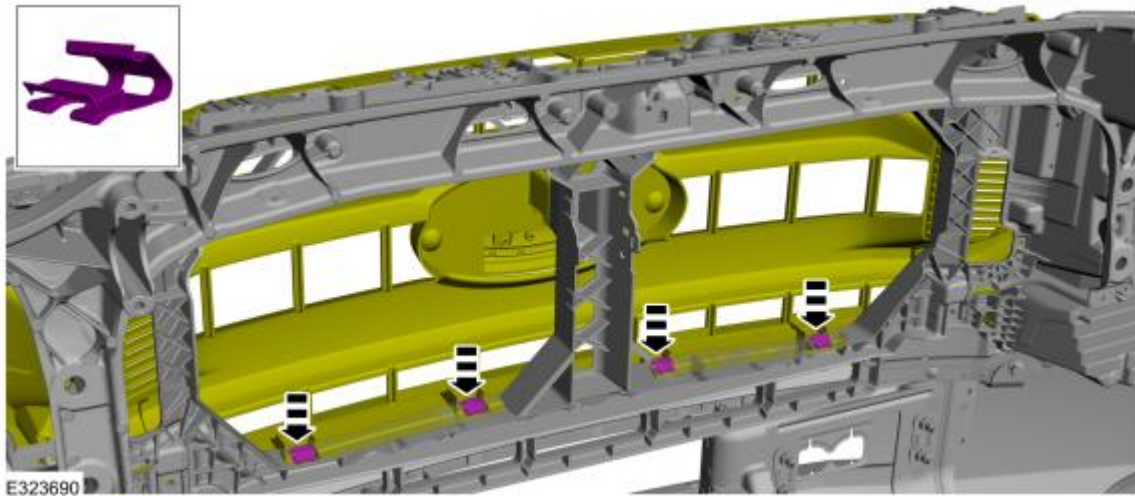
5. Remove the bolts. *Torque*: 36 lb.in (4.1 Nm). If equipped, remove the bolts located behind the grille in the upper corners.



Ford Factory Shop Manual purchase options www.motorcraftservice.com

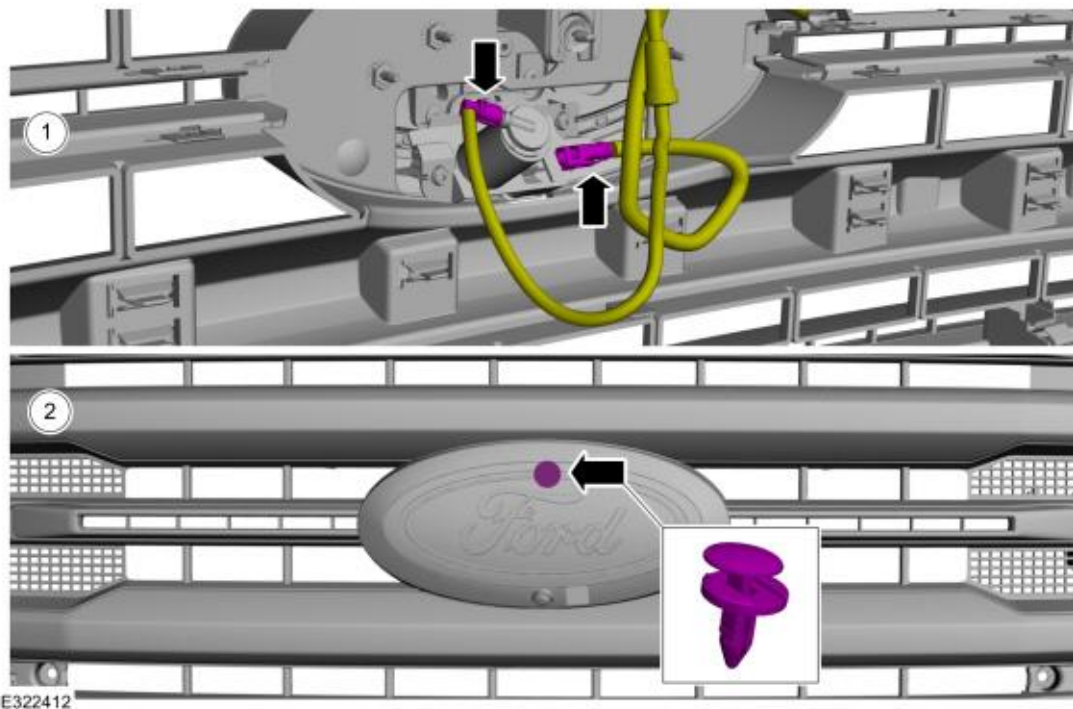
NO PART OF THIS DOCUMENT MAY BE REPRODUCED WITHOUT PRIOR AGREEMENT AND WRITTEN PERMISSION OF FORD PERFORMANCE PARTS © Ford Motor Company 2020

6. Press down on top to release the clips. Use the General Equipment: Flat Headed Screw Driver



7. **Vehicles equipped with front camera and washer only.**

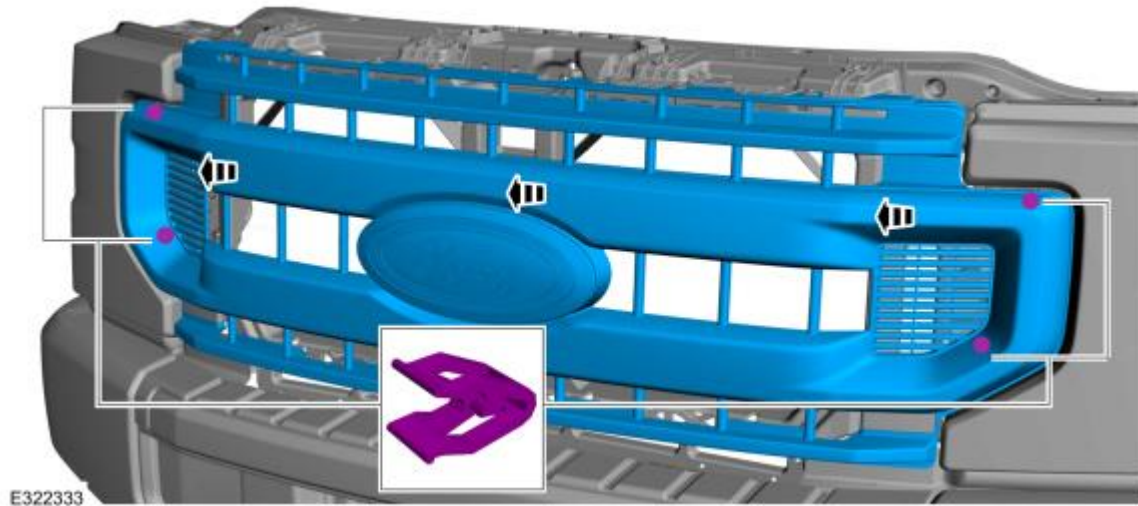
1. Disconnect the camera washer hose and the camera electrical connector.
2. Pull out to disengage the locating pins along the middle of the grille.



Ford Factory Shop Manual purchase options www.motorcraftservice.com

NO PART OF THIS DOCUMENT MAY BE REPRODUCED WITHOUT PRIOR AGREEMENT AND WRITTEN PERMISSION OF FORD PERFORMANCE PARTS © Ford Motor Company 2020

8. Pull out to disengage the locating pins and remove the radiator grille.



Grille Oval Removal

NOTE: Removal steps in this procedure may contain installation details.

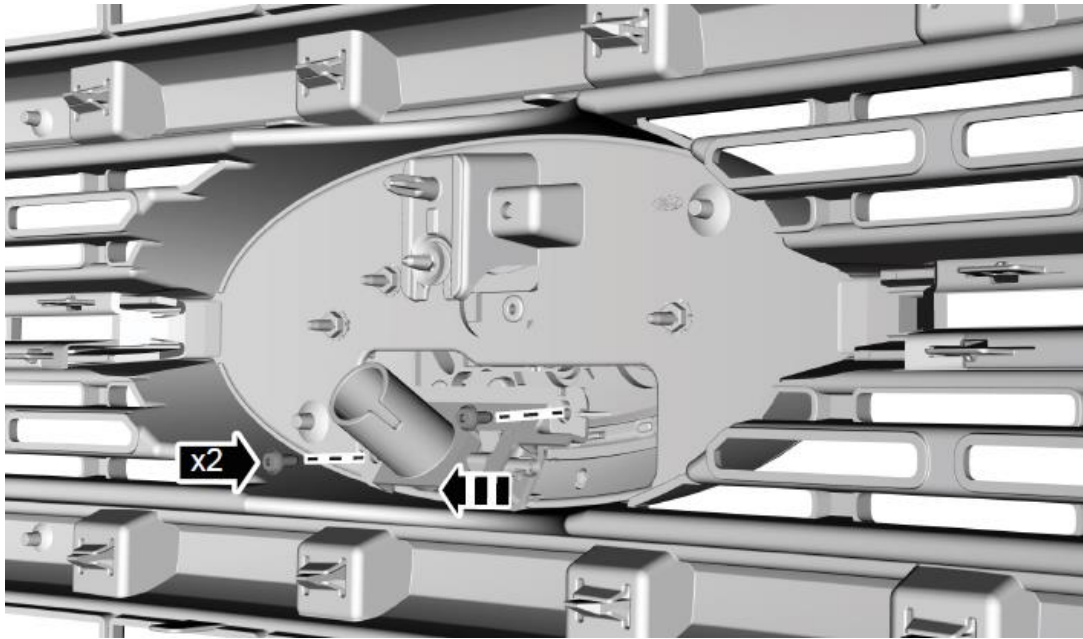
1. Extend the front camera washer nozzle door, release the tabs and remove the washer nozzle door.



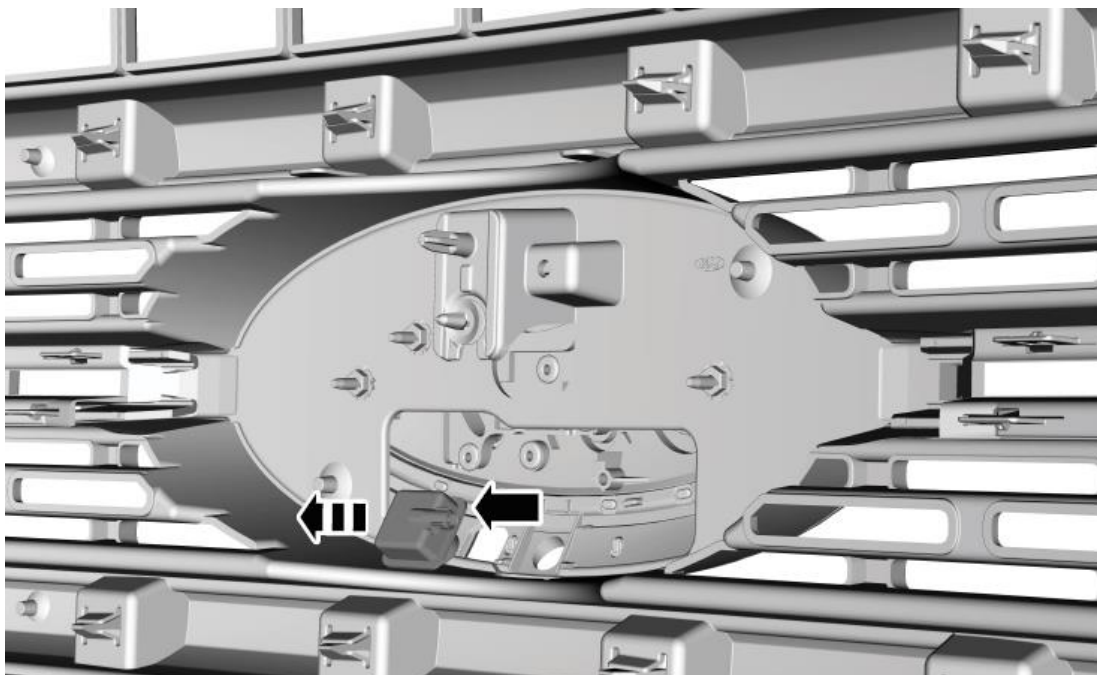
Ford Factory Shop Manual purchase options www.motorcraftservice.com

NO PART OF THIS DOCUMENT MAY BE REPRODUCED WITHOUT PRIOR AGREEMENT AND WRITTEN PERMISSION OF FORD PERFORMANCE PARTS © Ford Motor Company 2020

2. Remove the screws and the front camera washer and bracket as an assembly.



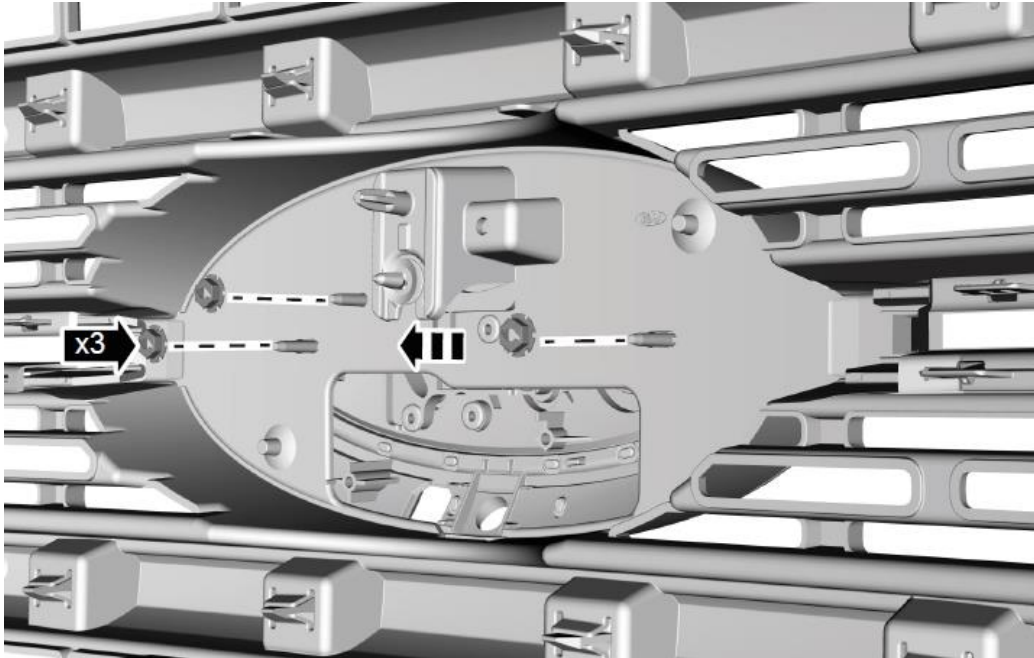
3. Remove the front parking aid camera.



Ford Factory Shop Manual purchase options www.motorcraftservice.com

NO PART OF THIS DOCUMENT MAY BE REPRODUCED WITHOUT PRIOR AGREEMENT AND WRITTEN PERMISSION OF FORD PERFORMANCE PARTS © Ford Motor Company 2020

4. Remove the bolts and remove the oval.



Installation

1. To install, reverse the removal procedure.
2. If equipped with front parking aid camera, align the cameras (Continued on next page).

Ford Factory Shop Manual purchase options www.motorcraftservice.com



FORD PERFORMANCE

**M-1447-SDC
2020-2022MY Super Duty
Black Ovals With Camera Provision Kit**

NO PART OF THIS DOCUMENT MAY BE REPRODUCED WITHOUT PRIOR AGREEMENT AND WRITTEN PERMISSION OF
FORD PERFORMANCE PARTS © Ford Motor Company 2020

Camera Alignment

Vehicles equipped with front and rear only parking aid camera

1. Using a diagnostic scan tool, following the on screen instructions for the LIN New Module Initialization-BCM configure the BCM.

Vehicles equipped with 360° cameras only

2. Using a diagnostic scan tool, following the on screen instructions for the LIN New Module Initialization-IPMB configure the IPMB.
3. Align the 360° cameras.

Vehicles equipped with 360° camera and Trailer Reverse Guidance

4. Using a diagnostic scan tool, following the on screen instructions for the LIN New Module Initialization-IPMB configure the IPMB.
5. Align the 360° cameras.

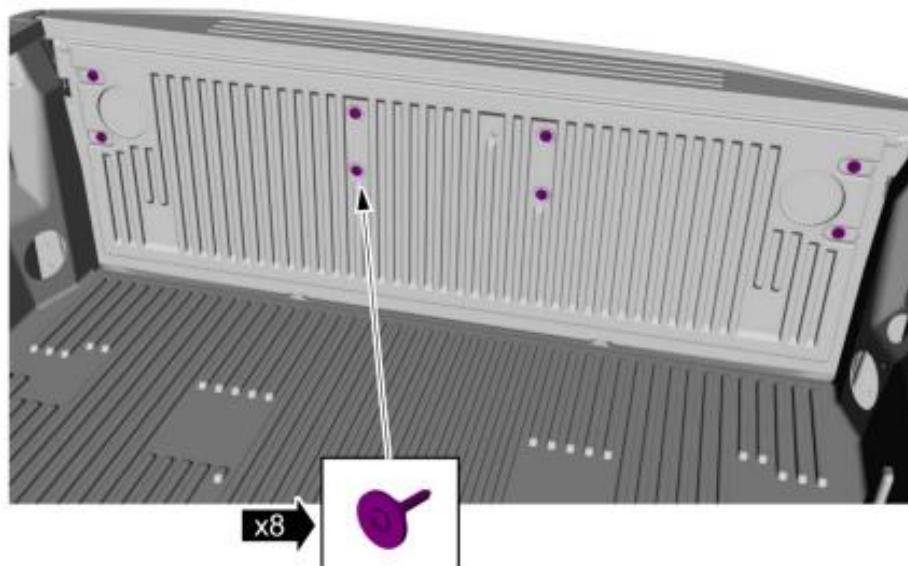
Ford Factory Shop Manual purchase options www.motorcraftservice.com

NO PART OF THIS DOCUMENT MAY BE REPRODUCED WITHOUT PRIOR AGREEMENT AND WRITTEN PERMISSION OF FORD PERFORMANCE PARTS © Ford Motor Company 2020

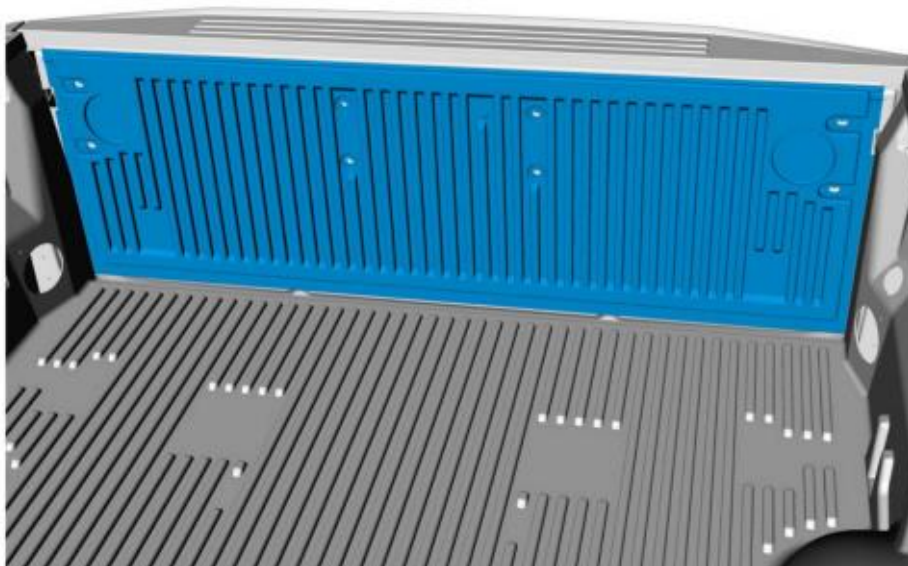
Removal – Tailgate Oval

NOTE: Removal steps in this procedure may contain installation details.

1. Remove the screws from the tailgate liner. *Torque: 28 lb.in (3.2 Nm)*



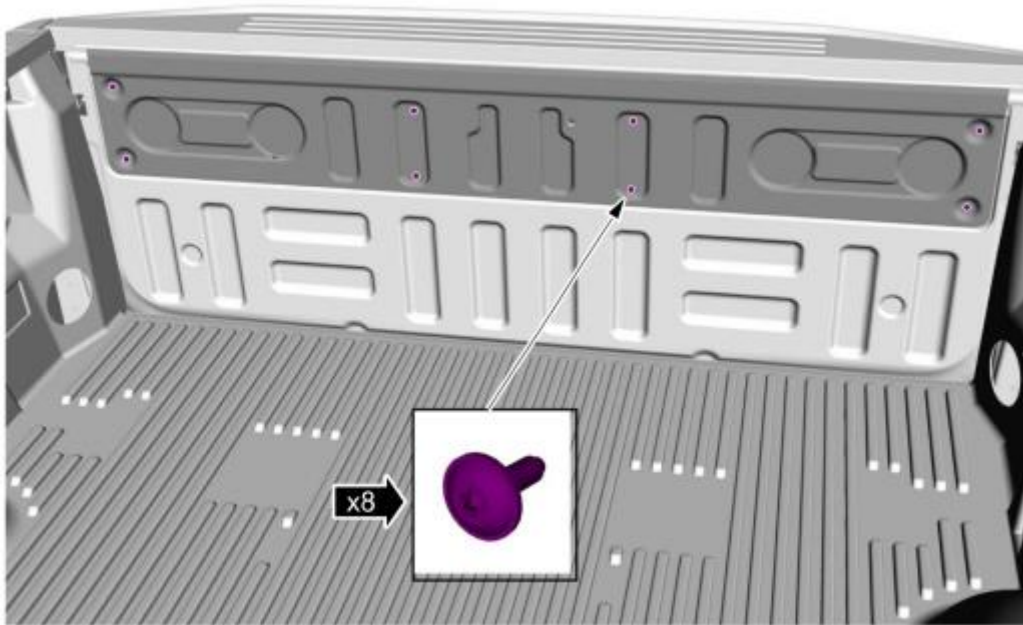
2. Remove the tailgate liner.



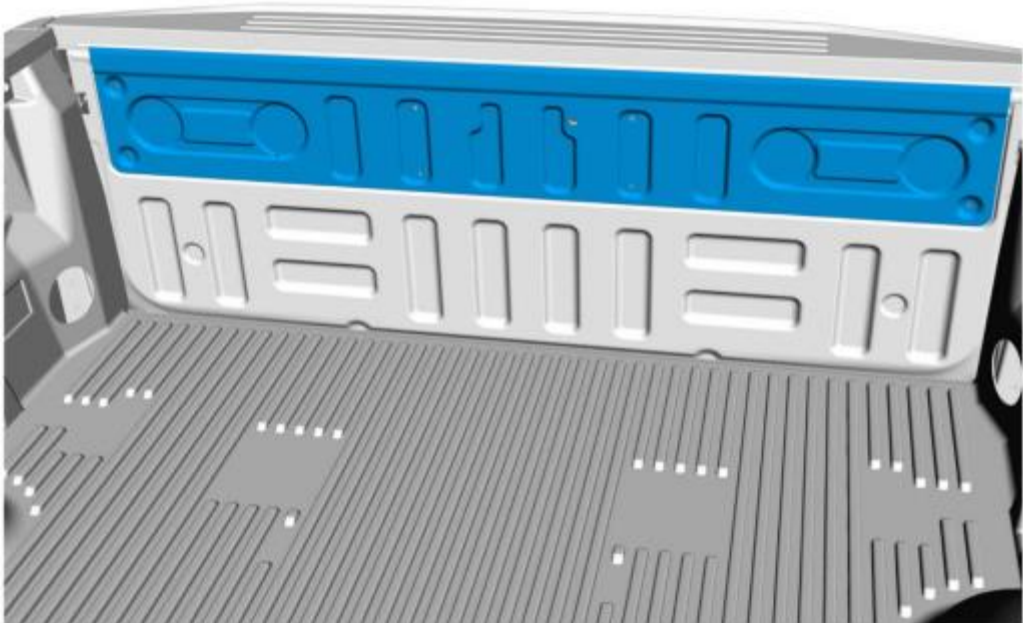
Ford Factory Shop Manual purchase options www.motorcraftservice.com

NO PART OF THIS DOCUMENT MAY BE REPRODUCED WITHOUT PRIOR AGREEMENT AND WRITTEN PERMISSION OF FORD PERFORMANCE PARTS © Ford Motor Company 2020

3. Remove the screws from the inner panel. *Torque: 28 lb.in (3.2 Nm)*



4. Remove the inner panel.



Ford Factory Shop Manual purchase options www.motorcraftservice.com

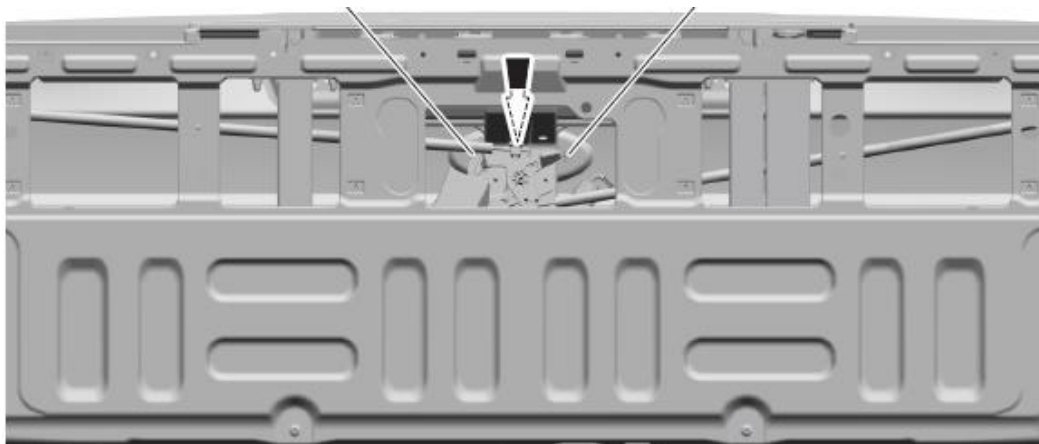


FORD PERFORMANCE

M-1447-SDC 2020-2022MY Super Duty Black Ovals With Camera Provision Kit

NO PART OF THIS DOCUMENT MAY BE REPRODUCED WITHOUT PRIOR AGREEMENT AND WRITTEN PERMISSION OF FORD PERFORMANCE PARTS © Ford Motor Company 2020

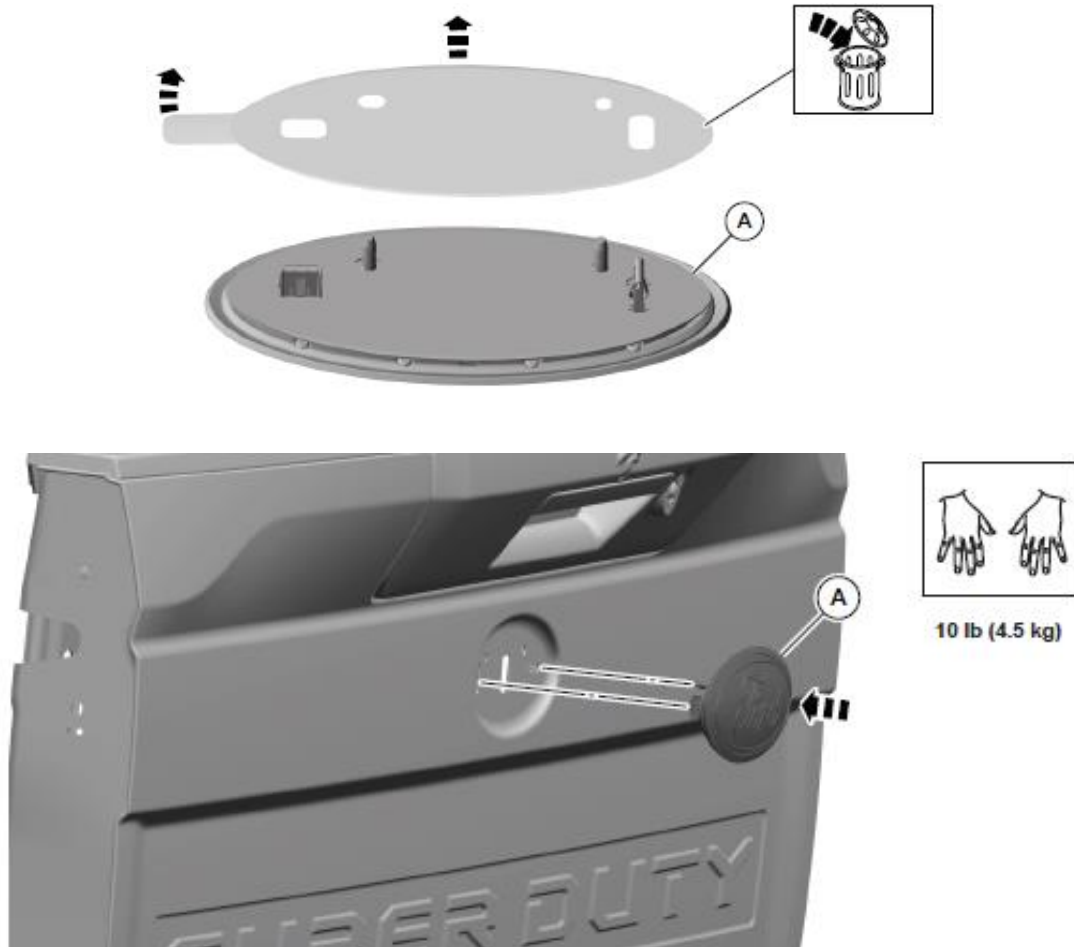
5. Use pliers to undo clips on the rear of the oval and remove from the tailgate.



Ford Factory Shop Manual purchase options www.motorcraftservice.com

NO PART OF THIS DOCUMENT MAY BE REPRODUCED WITHOUT PRIOR AGREEMENT AND WRITTEN PERMISSION OF FORD PERFORMANCE PARTS © Ford Motor Company 2020

- To install the new oval, remove the adhesive backing and firmly press onto the tailgate.



Installation

- To install, reverse the removal procedure.

Ford Factory Shop Manual purchase options www.motorcraftservice.com