



**FORD PERFORMANCE**

## M-15200K-BRL / BRRL 2021 Bronco Off-Road Roof-Mounted LED Light Bars

NO PART OF THIS DOCUMENT MAY BE REPRODUCED WITHOUT PRIOR AGREEMENT AND WRITTEN PERMISSION OF  
FORD PERFORMANCE PARTS

**PRIOR TO INSTALLATION READ THESE INSTRUCTION COMPLETELY**  
For questions, Call the FORD PERFORMANCE Techline 1-800-367-3788

Please visit <https://www.performanceparts.ford.com> for warranty information

### Roof Line Mounted Light Bar (Vehicles not Equipped with Roof Rails)



Kit Contents	Quantity
Light Bar	1
Light Bar Mounting Kit	2 (two sets of brackets)
Air Damper	1
Light Bar Rubber End Caps	4 (2 are spare parts)
LH Mounting Bracket Kit	1
RH Mounting Bracket Kit	1
Bracket Mounting Washers	4 (spare parts)
Bracket Mounting Nuts	4 (spare parts)
Light Bar Covers	4
A-Pillar Trim Panel Clips	5

Ford Factory Shop Manual purchase options [www.motorcraftservice.com](http://www.motorcraftservice.com)



**FORD PERFORMANCE**

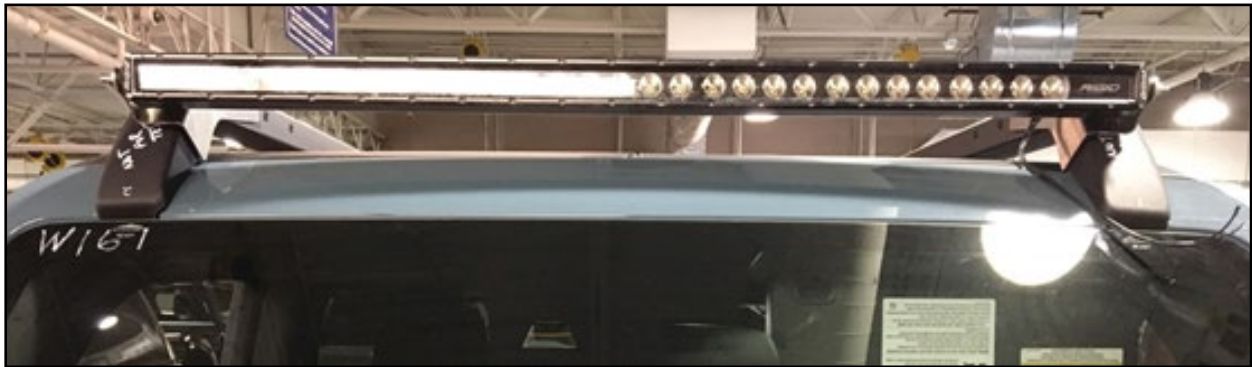
M-15200K-BRL / BRRL  
2021 Bronco Off-Road Roof-Mounted  
LED Light Bars

NO PART OF THIS DOCUMENT MAY BE REPRODUCED WITHOUT PRIOR AGREEMENT AND WRITTEN PERMISSION OF  
FORD PERFORMANCE PARTS

**PRIOR TO INSTALLATION READ THESE INSTRUCTION COMPLETELY**  
For questions, Call the FORD PERFORMANCE Techline 1-800-367-3788

Please visit <https://www.performanceparts.ford.com> for warranty information

**Roof Rail Mounted Light Bar (Vehicles Equipped with Roof Rails)**



Kit Contents	Quantity
Light Bar	1
Light Bar Mounting Nuts	2
Light Bar Mounting Washers	2
Air Damper	1
LH Mounting Bracket	1
RH Mounting Bracket	1
Mounting Bracket Bolts	4
Mounting Bracket Washers	4
Light Bar Covers	4

Ford Factory Shop Manual purchase options [www.motorcraftservice.com](http://www.motorcraftservice.com)



FORD PERFORMANCE

## M-15200K-BRL / BRRL 2021 Bronco Off-Road Roof-Mounted LED Light Bars

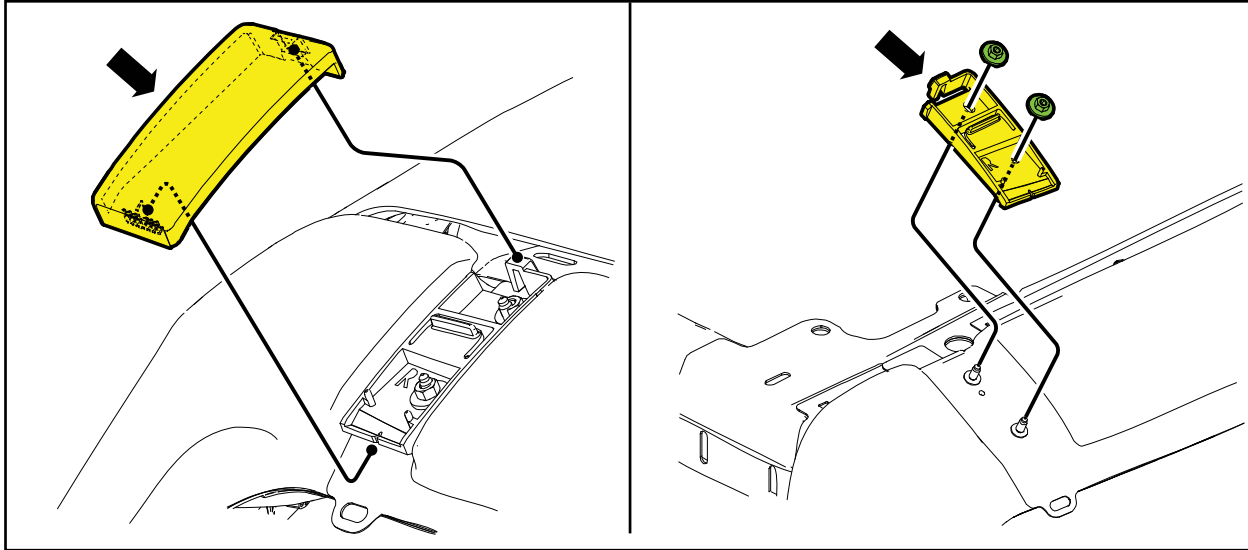
NO PART OF THIS DOCUMENT MAY BE REPRODUCED WITHOUT PRIOR AGREEMENT AND WRITTEN PERMISSION OF FORD PERFORMANCE PARTS

### INSTALLATION PROCEDURE - Roof Mounted Light Bar (Vehicles not Equipped with Roof Rails)

**NOTE:** Two versions of brackets are included in Kit M-15200K-BRL. Short brackets for the hard tops and tall brackets for the soft tops. The kit is not recommended for hard tops with soft top front row inserts.

**NOTE:** Use the General Equipment: Interior Trim Remover.

1. Remove the LH and RH front roof hard tops or raise and fold down the the front roof soft tops. Refer to owner's manual for additional information.
2. Remove the two accessory attachment point roof trim covers and trim mounting to access the mounting studs.



3. Install the top bracket piece to the Rigid roof line bracket using the four small screws.



Ford Factory Shop Manual purchase options [www.motorcraftservice.com](http://www.motorcraftservice.com)



FORD PERFORMANCE

## M-15200K-BRL / BRRL 2021 Bronco Off-Road Roof-Mounted LED Light Bars

NO PART OF THIS DOCUMENT MAY BE REPRODUCED WITHOUT PRIOR AGREEMENT AND WRITTEN PERMISSION OF FORD PERFORMANCE PARTS

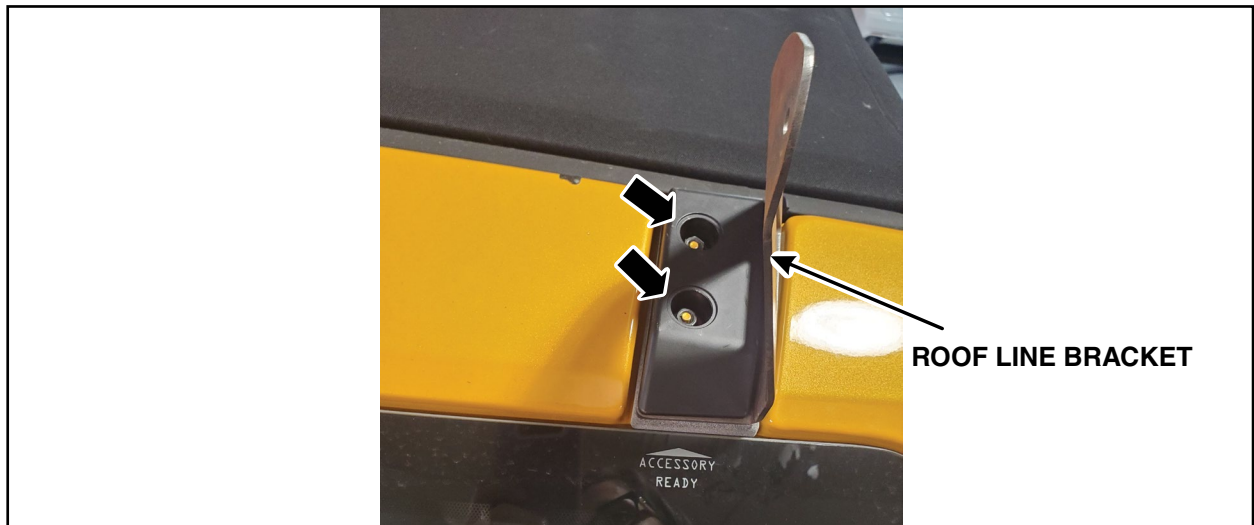
4. Install the rubber mat onto the stud holes.



**NOTE:** The roof line brackets should be installed with the light bar mounting slot facing outward

5. Install the Rigid roof line bracket using the nuts from step 2. Install the beauty covers in the stud holes once the nuts are torqued.

- Torque the nuts to 10 Nm (88.5 lb-in).



Ford Factory Shop Manual purchase options [www.motorcraftservice.com](http://www.motorcraftservice.com)





**FORD PERFORMANCE**

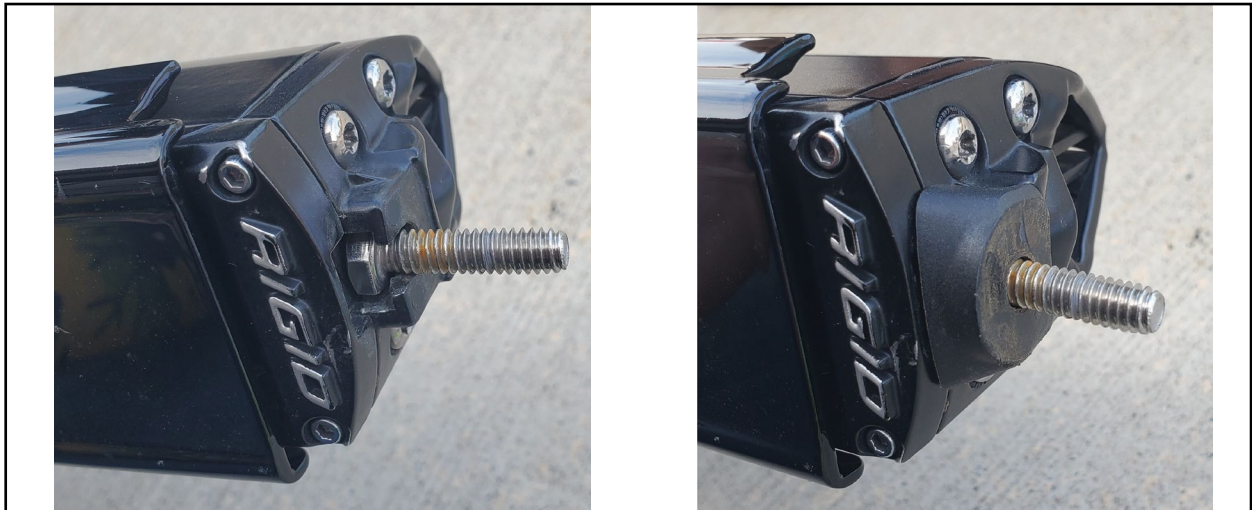
## M-15200K-BRL / BRRL 2021 Bronco Off-Road Roof-Mounted LED Light Bars

NO PART OF THIS DOCUMENT MAY BE REPRODUCED WITHOUT PRIOR AGREEMENT AND WRITTEN PERMISSION OF  
FORD PERFORMANCE PARTS

6. Install the air damper into the Rigid light bar.



7. Install the bolt head into the light bar and slide plastic cover over the bolt to secure it in place.



Ford Factory Shop Manual purchase options [www.motorcraftservice.com](http://www.motorcraftservice.com)

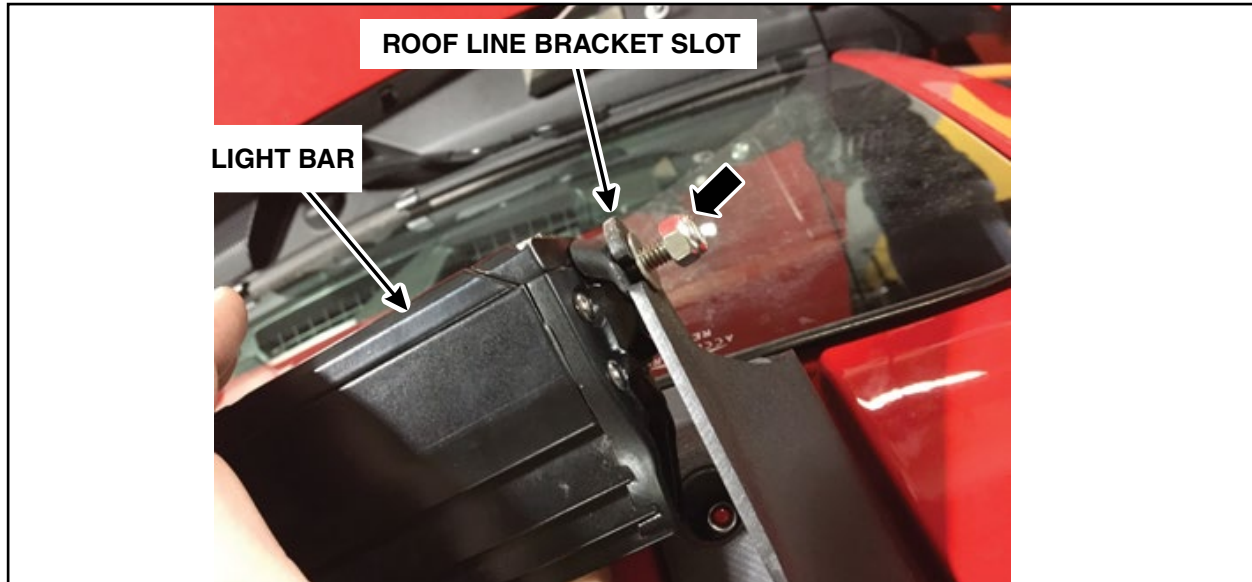


**FORD PERFORMANCE**

## M-15200K-BRL / BRRL 2021 Bronco Off-Road Roof-Mounted LED Light Bars

NO PART OF THIS DOCUMENT MAY BE REPRODUCED WITHOUT PRIOR AGREEMENT AND WRITTEN PERMISSION OF  
FORD PERFORMANCE PARTS

8. Install Rigid 40" straight light bar into the roof line bracket slots and secure using fasteners included in the kit. Adjust light bar aiming as needed, before tightening the fasteners.



9. Install the black rubber end caps over the locknuts on each end of the light bar.

10. Install the light bar covers.

**NOTE:** Light bar covers must be installed at all times when driving on roads.

11. Proceed to the wiring section to complete installation.

Ford Factory Shop Manual purchase options [www.motorcraftservice.com](http://www.motorcraftservice.com)



**FORD PERFORMANCE**

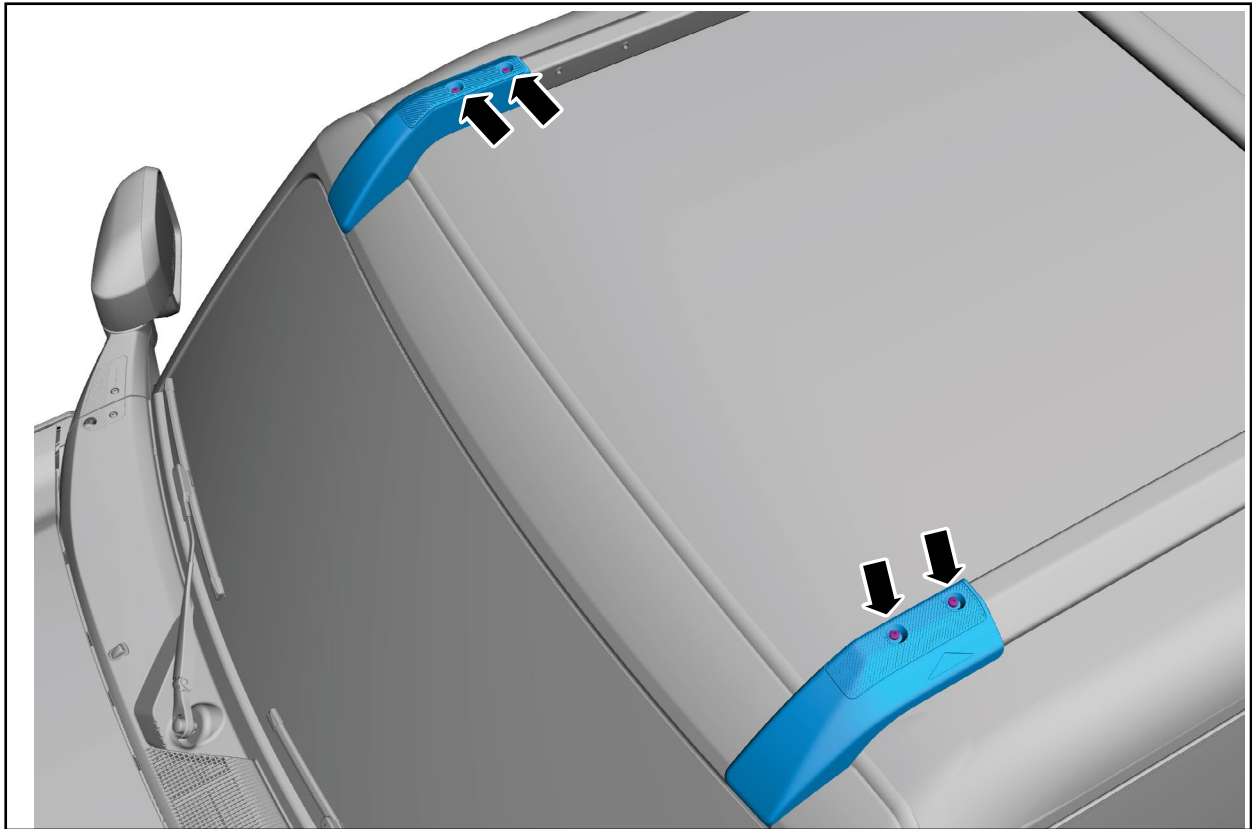
## M-15200K-BRL / BRRL 2021 Bronco Off-Road Roof-Mounted LED Light Bars

NO PART OF THIS DOCUMENT MAY BE REPRODUCED WITHOUT PRIOR AGREEMENT AND WRITTEN PERMISSION OF  
FORD PERFORMANCE PARTS

### INSTALLATION PROCEDURE - Roof Mounted Light Bar (Vehicles Equipped with Roof Rails)

**NOTE:** Use the General Equipment: Interior Trim Remover.

1. Remove the LH and RH front roof hard tops. Refer to owner's manual for additional information.
2. Remove the two accessory attachment point bolts from the LH and RH front roof rails.



Ford Factory Shop Manual purchase options [www.motorcraftservice.com](http://www.motorcraftservice.com)





**FORD PERFORMANCE**

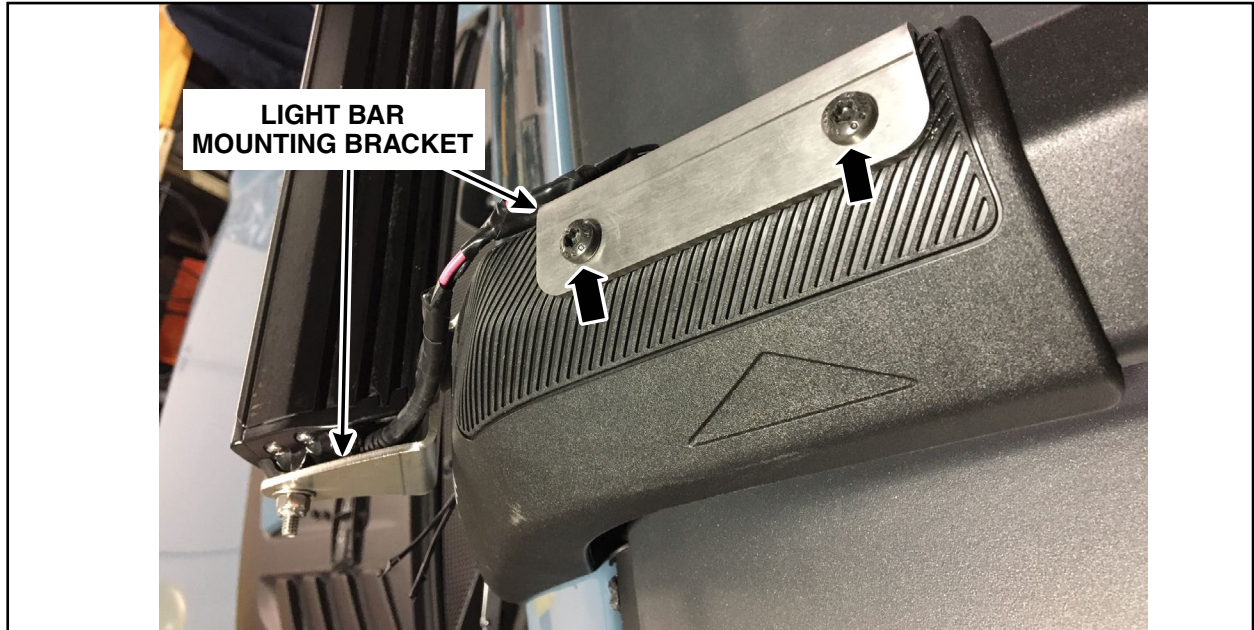
## M-15200K-BRL / BRRL 2021 Bronco Off-Road Roof-Mounted LED Light Bars

NO PART OF THIS DOCUMENT MAY BE REPRODUCED WITHOUT PRIOR AGREEMENT AND WRITTEN PERMISSION OF FORD PERFORMANCE PARTS

**NOTE:** The roof line brackets should be installed with the light bar mounting slot facing forward and outward.

3. Install the Rigid roof rail brackets using accessory attachment point roof rails. Note that the M6 bolts previously removed from these points are too short. Please use the new longer bolts included in the kit.

- Torque the nuts to 8 Nm (70.8 lb-in).



4. Install the air damper into the Rigid light bar.



Ford Factory Shop Manual purchase options [www.motorcraftservice.com](http://www.motorcraftservice.com)





**FORD PERFORMANCE**

## M-15200K-BRL / BRRL 2021 Bronco Off-Road Roof-Mounted LED Light Bars

NO PART OF THIS DOCUMENT MAY BE REPRODUCED WITHOUT PRIOR AGREEMENT AND WRITTEN PERMISSION OF FORD PERFORMANCE PARTS

5. Install Rigid 40" straight light bar into the roof line bracket slots and secure using fasteners included in the kit. Adjust light bar aiming as needed, before tightening the fasteners.



6. Install the light bar covers.

**NOTE:** Light bar covers must be installed at all times when driving on roads.

7. Proceed to wiring section to complete installation.

Ford Factory Shop Manual purchase options [www.motorcraftservice.com](http://www.motorcraftservice.com)



FORD PERFORMANCE

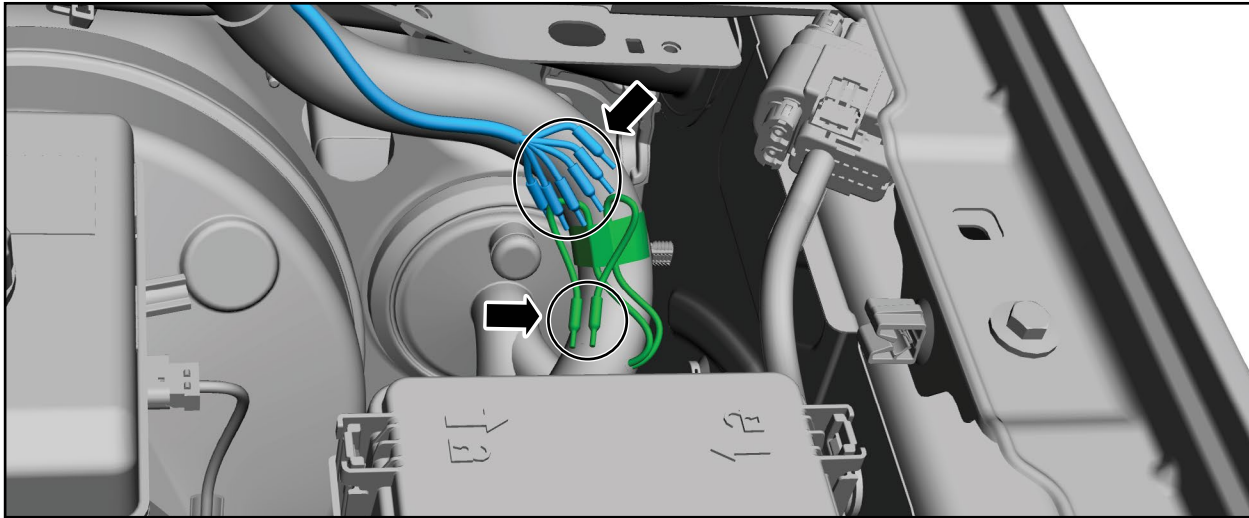
## M-15200K-BRL / BRRL 2021 Bronco Off-Road Roof-Mounted LED Light Bars

NO PART OF THIS DOCUMENT MAY BE REPRODUCED WITHOUT PRIOR AGREEMENT AND WRITTEN PERMISSION OF FORD PERFORMANCE PARTS

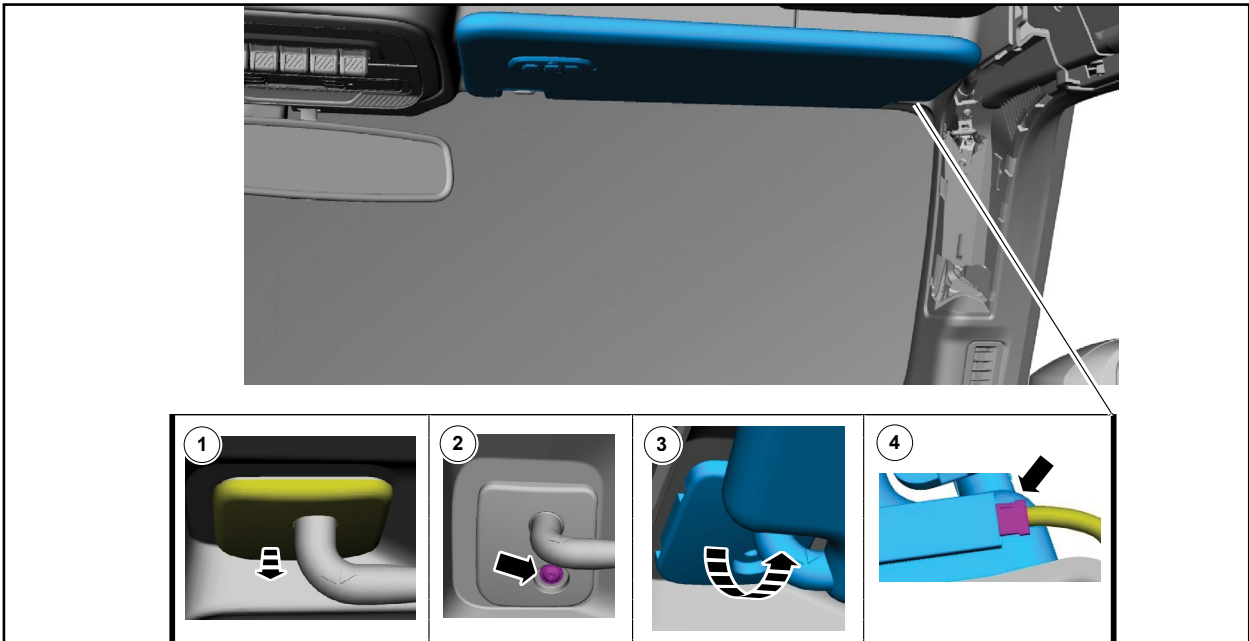
### LIGHT BAR WIRING PROCEDURE

**NOTE:** The RH and LH roof hard tops will need to be removed or the soft tops folded down to perform this procedure.

1. Open the vehicle's hood and disconnect the battery cable to ground.
2. Locate blunt cut wire #1 (wire color YE) within the first bundle of blunt cut wires (upper group). Locate blunt cut #7 (wire color BN/WH) within the second bundle of blunt cut wires (lower group). Splice the two wires together using the provided splicing kit WT-56814.



3. Position the sun visor screw cover aside. Remove the sun visor screw. Release the sun visor from the roof. If equipped, disconnect the sun visor electrical connector. Perform this step for both sides.



Ford Factory Shop Manual purchase options [www.motorcraftservice.com](http://www.motorcraftservice.com)

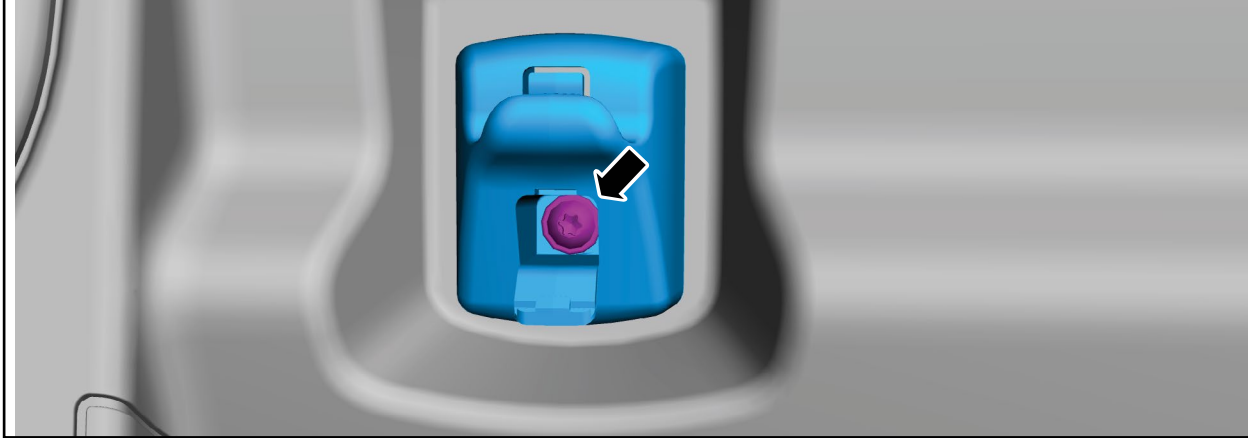


FORD PERFORMANCE

# M-15200K-BRL / BRRL 2021 Bronco Off-Road Roof-Mounted LED Light Bars

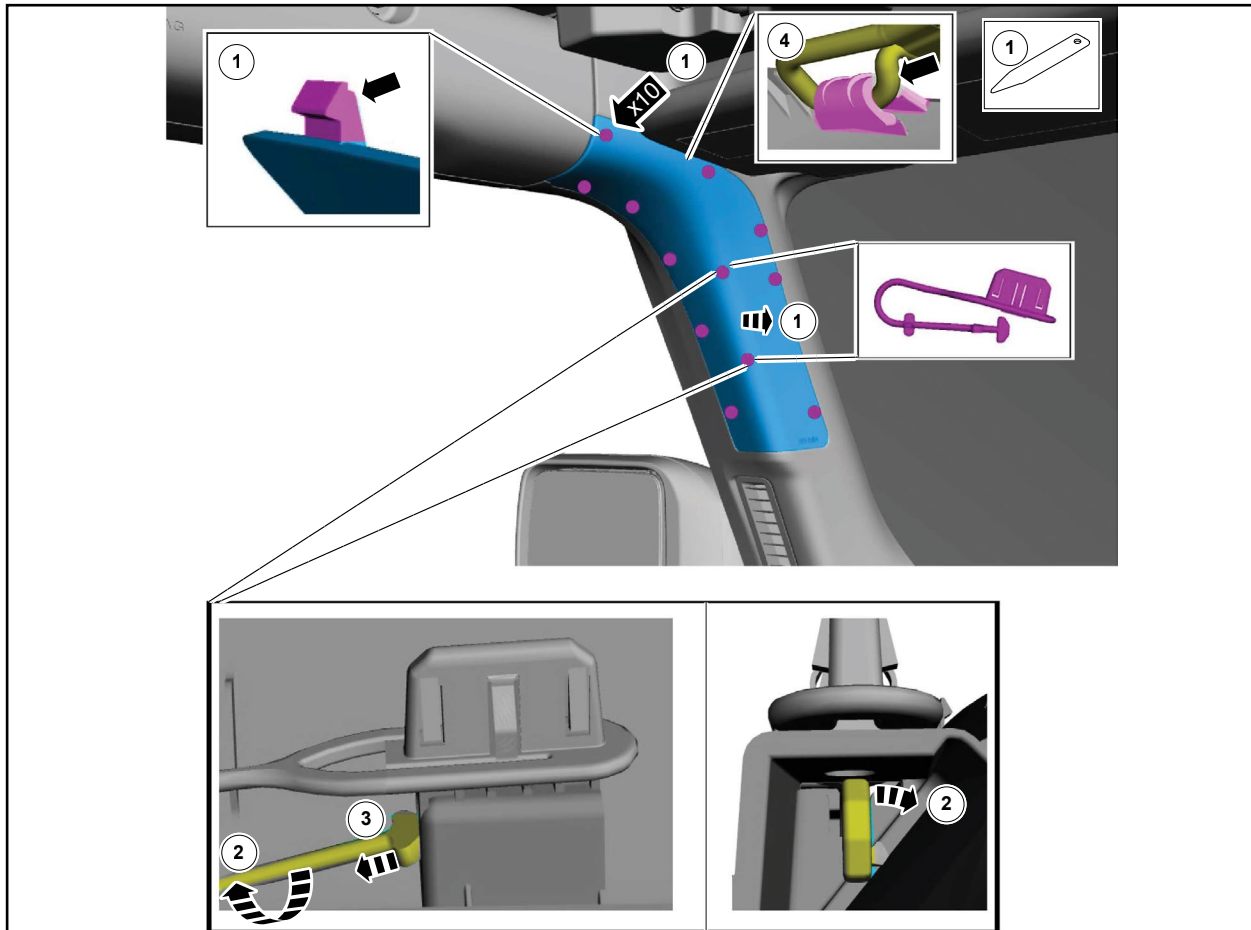
NO PART OF THIS DOCUMENT MAY BE REPRODUCED WITHOUT PRIOR AGREEMENT AND WRITTEN PERMISSION OF FORD PERFORMANCE PARTS

4. Open the fastener cover, remove the fastener and the sun visor clip. Perform this step on both sides.



5. Allow the headliner to hang slightly. Use caution not to excessively hang/bend to prevent damage and/or creasing.

6. Release the A-pillar trim panel cover tabs from the A-pillar trim panel and release the A-pillar trim panel cover tether clips from the cover. Rotate the tether clip lines to align the ends with openings. Slide the tether clip ends out of the A-pillar trim panel cover. Release the tether from the A-pillar trim panel cover hook.



Ford Factory Shop Manual purchase options [www.motorcraftservice.com](http://www.motorcraftservice.com)





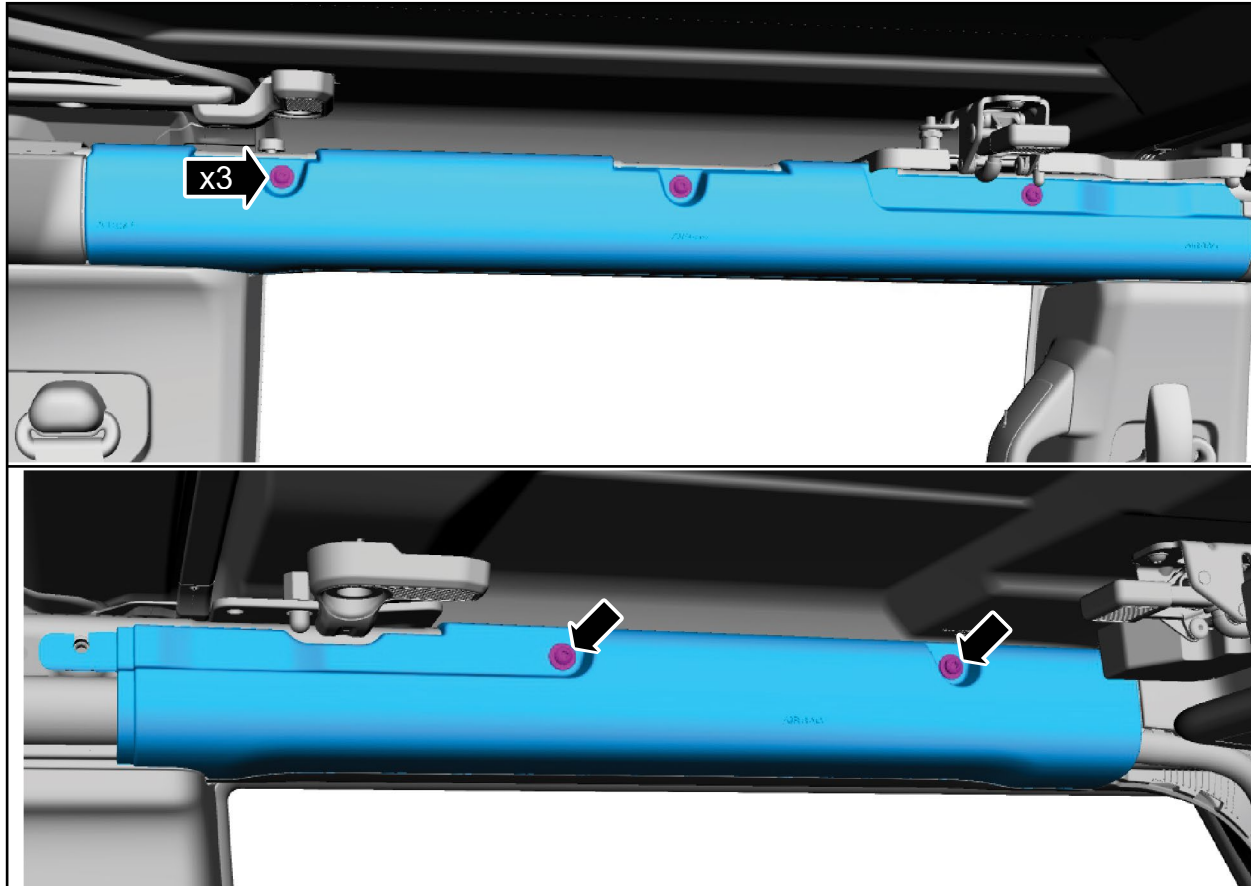
**FORD PERFORMANCE**

## M-15200K-BRL / BRRL 2021 Bronco Off-Road Roof-Mounted LED Light Bars

NO PART OF THIS DOCUMENT MAY BE REPRODUCED WITHOUT PRIOR AGREEMENT AND WRITTEN PERMISSION OF FORD PERFORMANCE PARTS

7. Remove the screws then the RH side upper rail rear trim panel and the RH upper rail front trim panel..

- Torque: 18 lb.in (2 Nm).



Ford Factory Shop Manual purchase options [www.motorcraftservice.com](http://www.motorcraftservice.com)

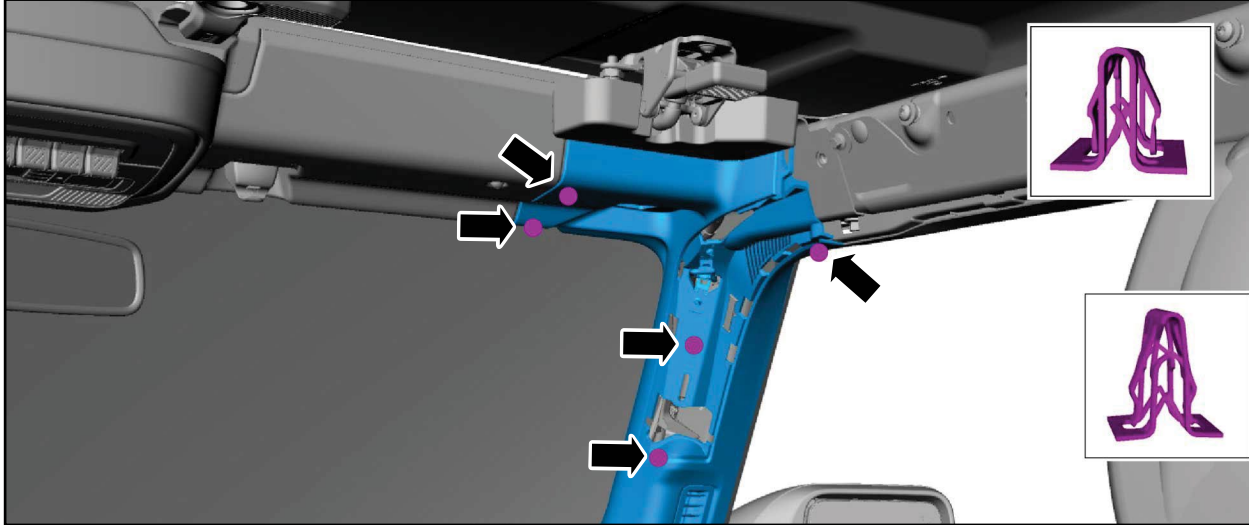


FORD PERFORMANCE

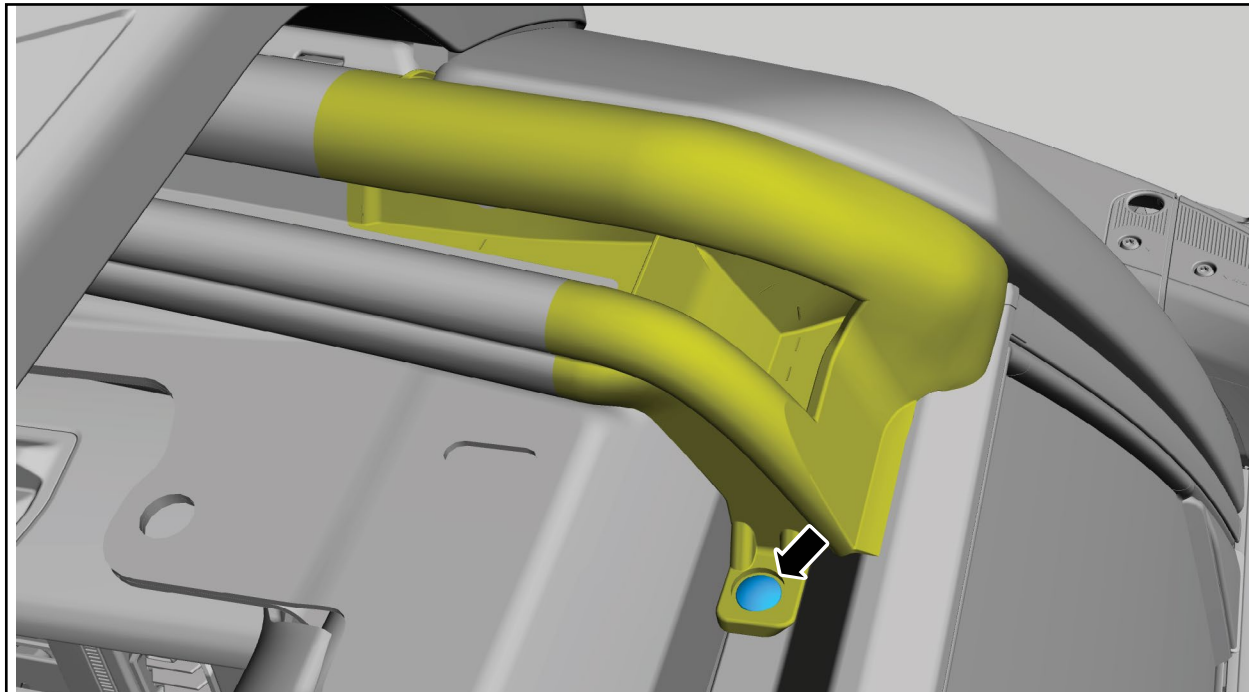
M-15200K-BRL / BRRL  
2021 Bronco Off-Road Roof-Mounted  
LED Light Bars

NO PART OF THIS DOCUMENT MAY BE REPRODUCED WITHOUT PRIOR AGREEMENT AND WRITTEN PERMISSION OF  
FORD PERFORMANCE PARTS

8. Release the clips and the upper tab then slightly position aside the upper A-pillar trim panel for wire routing.



9. Remove the push pin retainer from the passenger side roof weather strip.



Ford Factory Shop Manual purchase options [www.motorcraftservice.com](http://www.motorcraftservice.com)

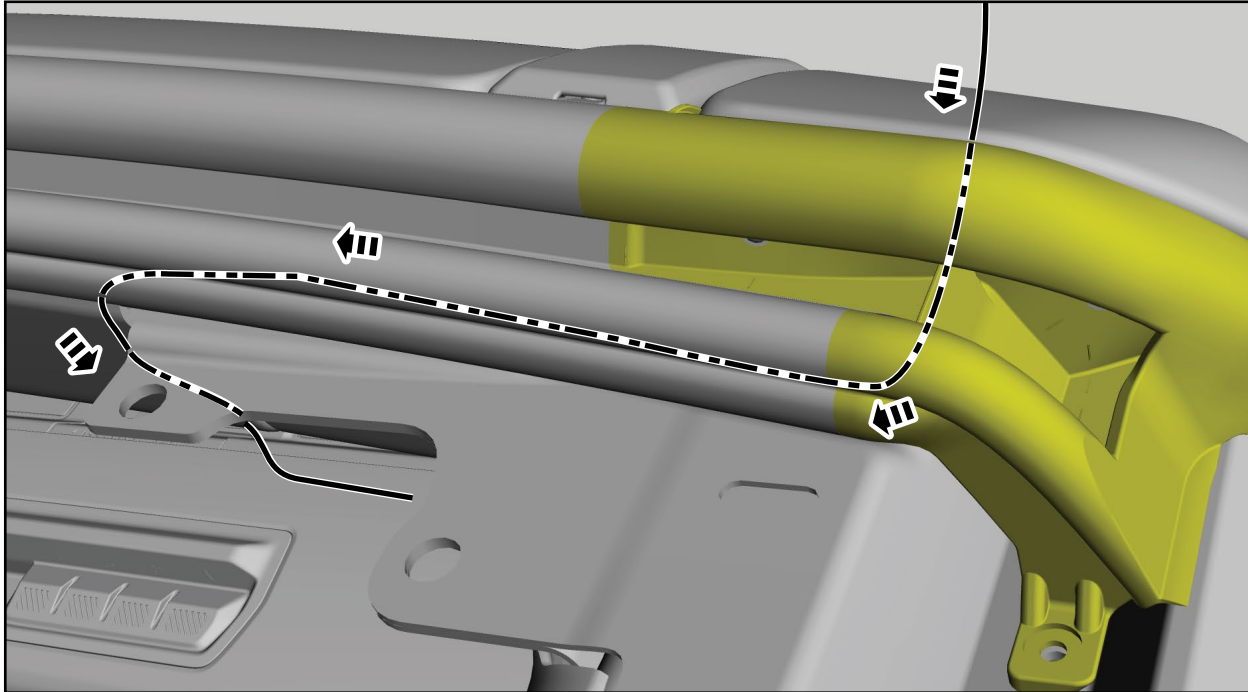


FORD PERFORMANCE

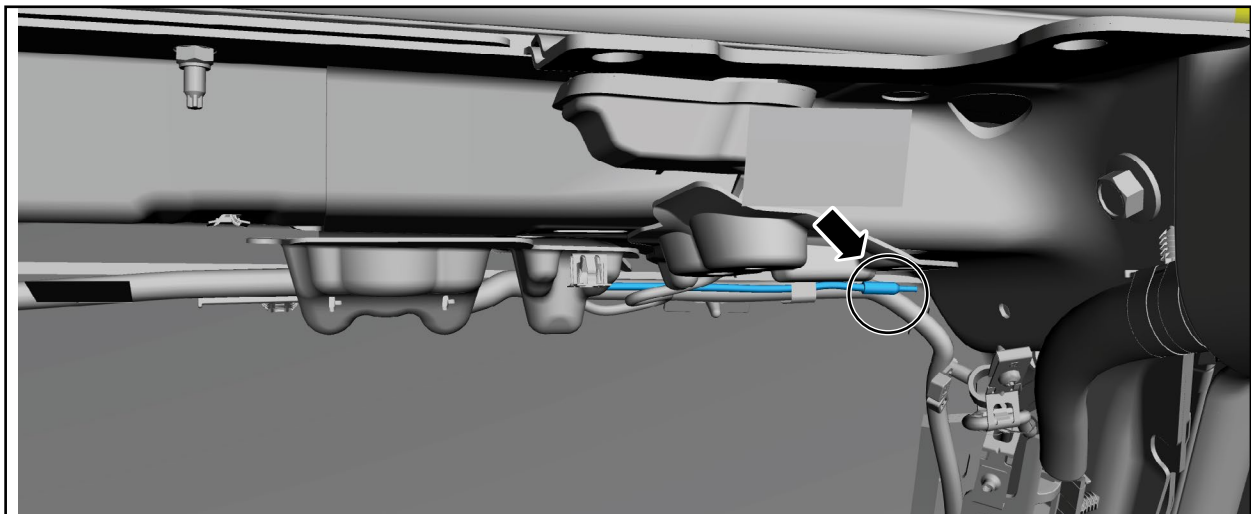
# M-15200K-BRL / BRRL 2021 Bronco Off-Road Roof-Mounted LED Light Bars

NO PART OF THIS DOCUMENT MAY BE REPRODUCED WITHOUT PRIOR AGREEMENT AND WRITTEN PERMISSION OF FORD PERFORMANCE PARTS

10. Route the light bar power and ground wire from the light bar to under the weather stripping then into the vehicle. Do not route the wire through the hard top mounting holes.



11. Locate the blunt Cut (wire color GY/OG) taped to the visor harness, splice light bar power wire into this GY/OG blunt cut wire using the provided splice kit WT-56815.



Ford Factory Shop Manual purchase options [www.motorcraftservice.com](http://www.motorcraftservice.com)





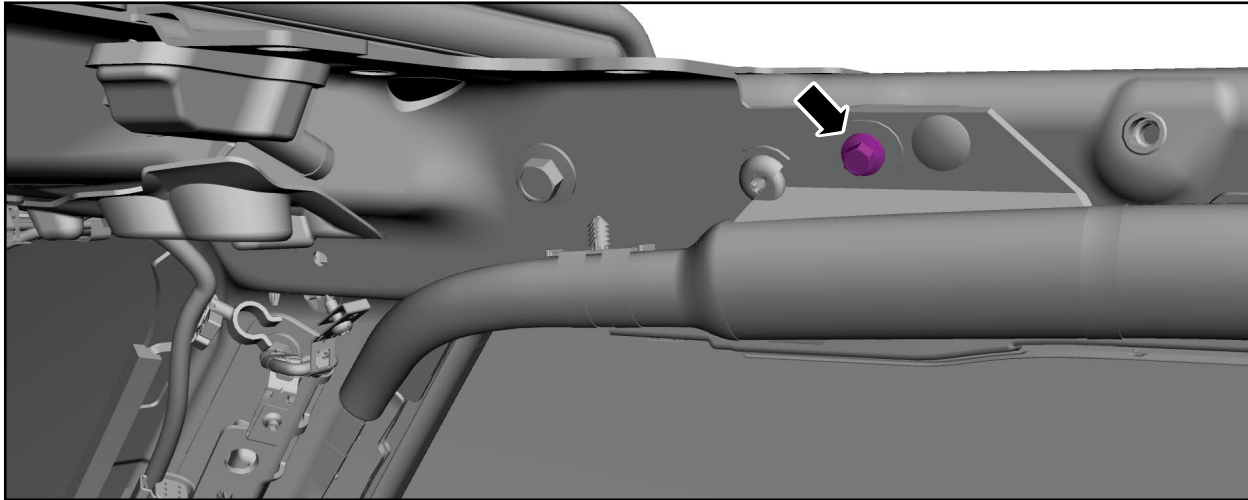
**FORD PERFORMANCE**

## M-15200K-BRL / BRRL 2021 Bronco Off-Road Roof-Mounted LED Light Bars

NO PART OF THIS DOCUMENT MAY BE REPRODUCED WITHOUT PRIOR AGREEMENT AND WRITTEN PERMISSION OF  
FORD PERFORMANCE PARTS

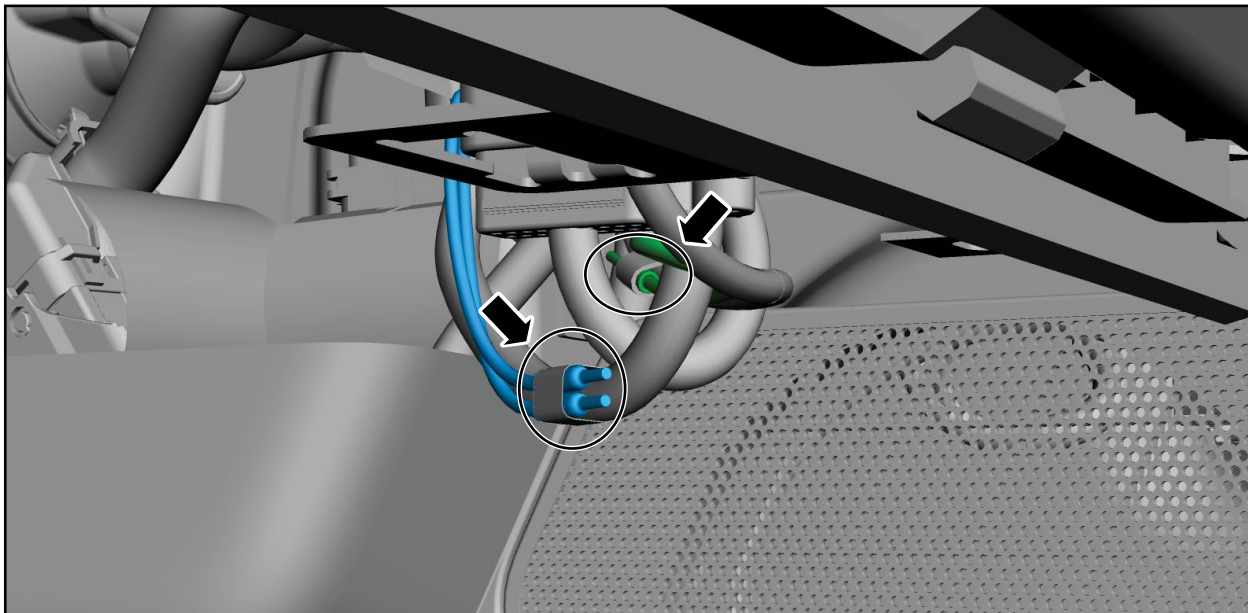
12. Crimp a ring terminal onto the light bar ground wire, pass it through behind the trim piece next to visor and connect to the ground bolt right above airbag.

- Torque: 80 lb.in (9 Nm)



13. Remove the insulator from under the glove compartment.

14. Locate and splice blunt cut #1 (wire color GY/OG) into blunt cut #10 (wire color BN/WH) using the provided splice kit WT-56814.



15. Reconnect the battery cable to ground. Torque to 48 lb.in (5.4 Nm).

16. Switch on upfitter switch #1, make sure light bar turns on before reinstalling parts.

17. Reassemble the vehicle by reversing the removal procedures.

Ford Factory Shop Manual purchase options [www.motorcraftservice.com](http://www.motorcraftservice.com)