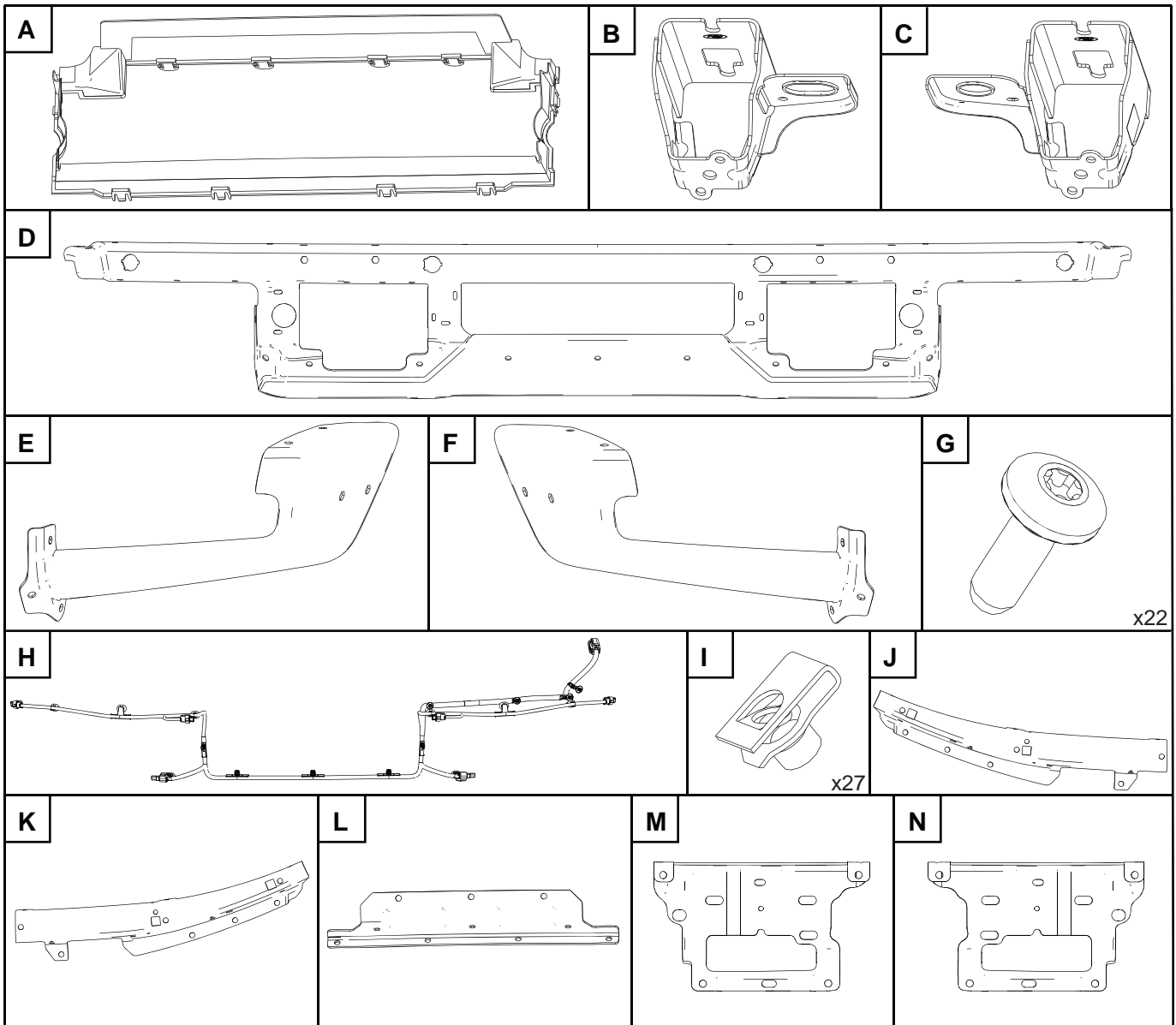
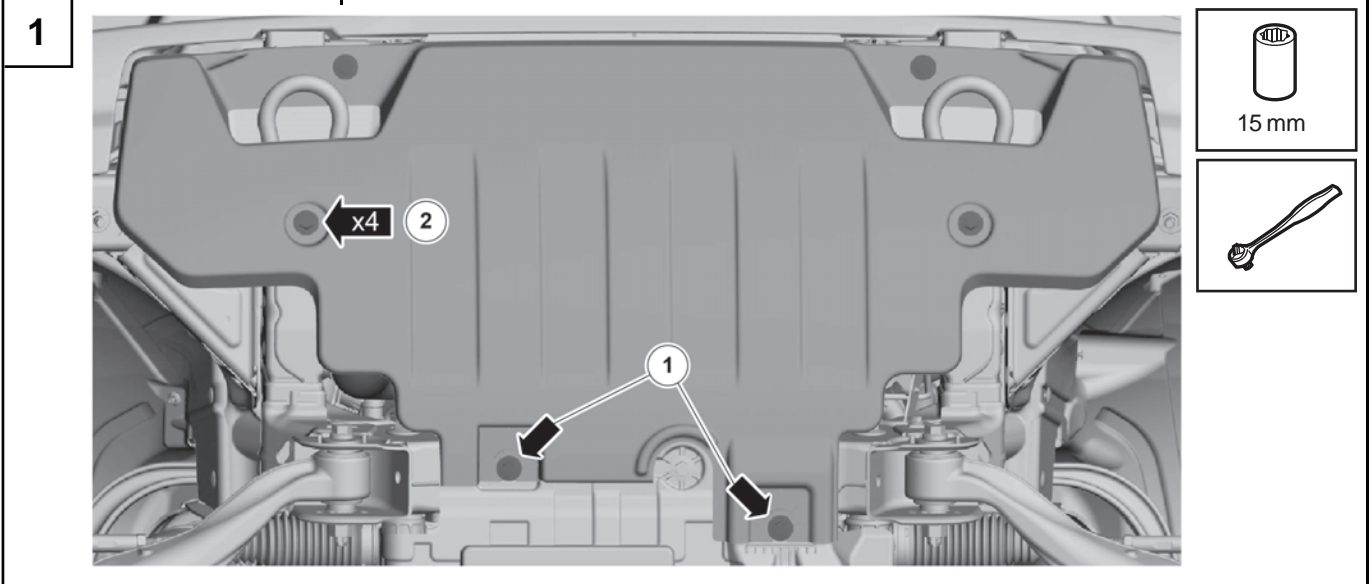
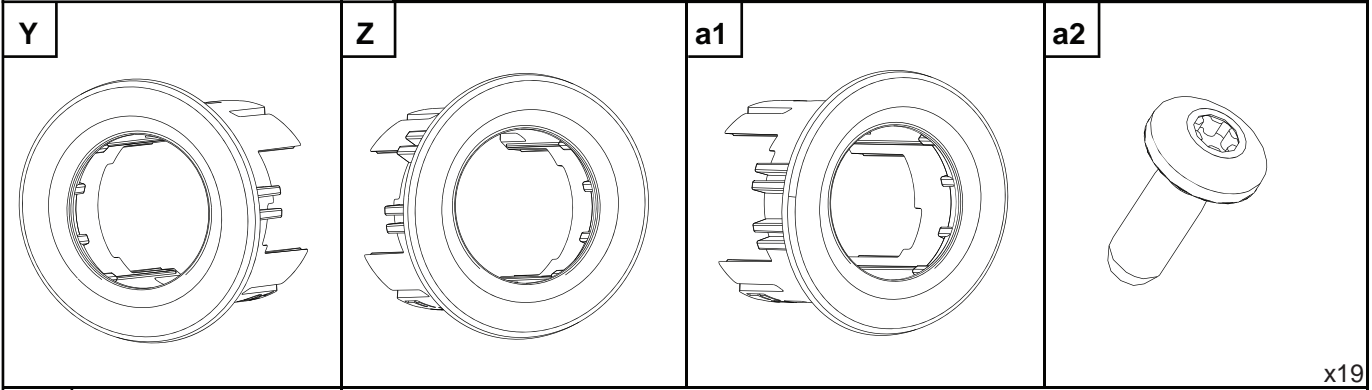
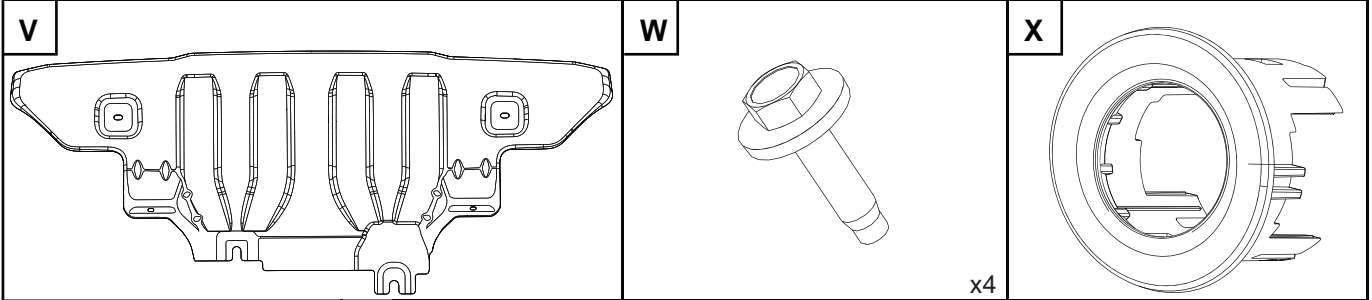
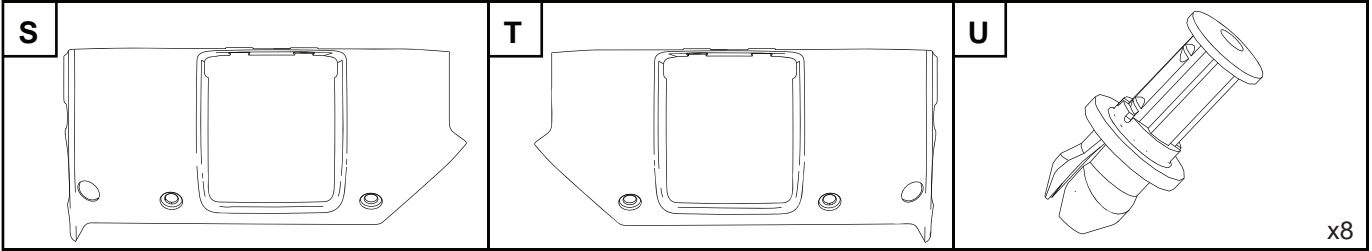
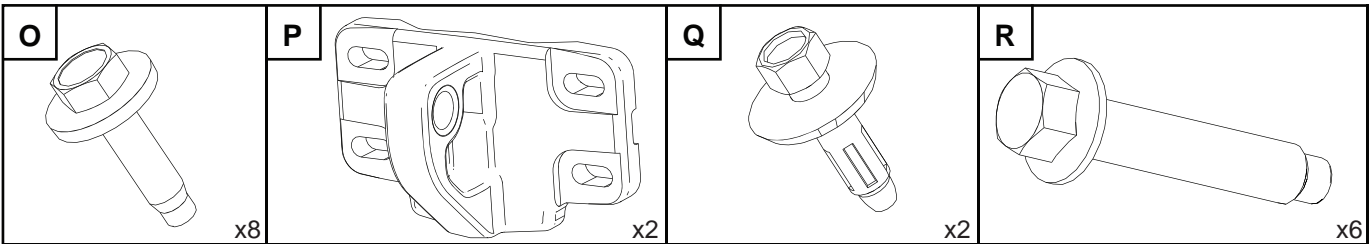


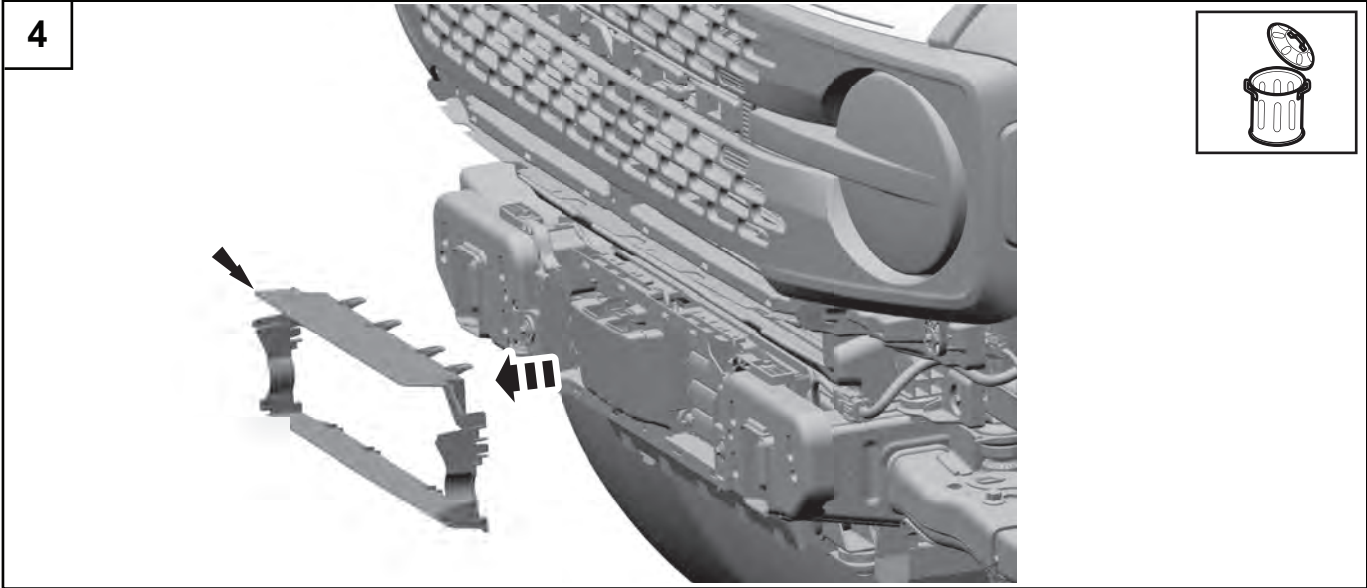
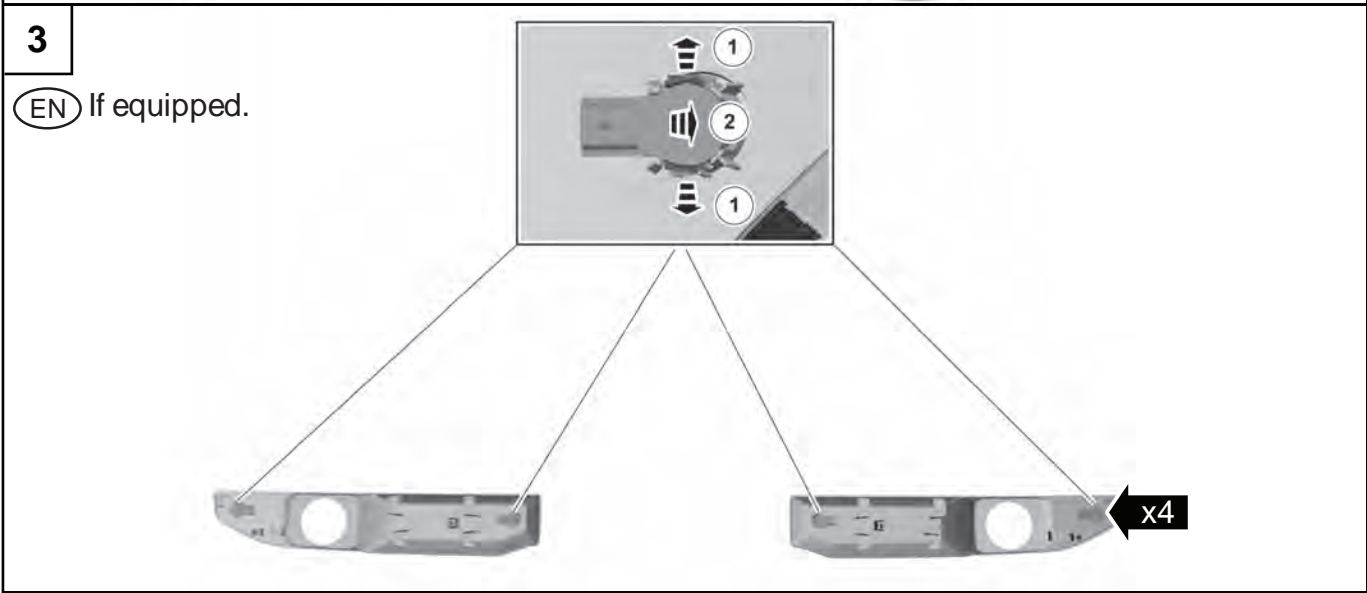


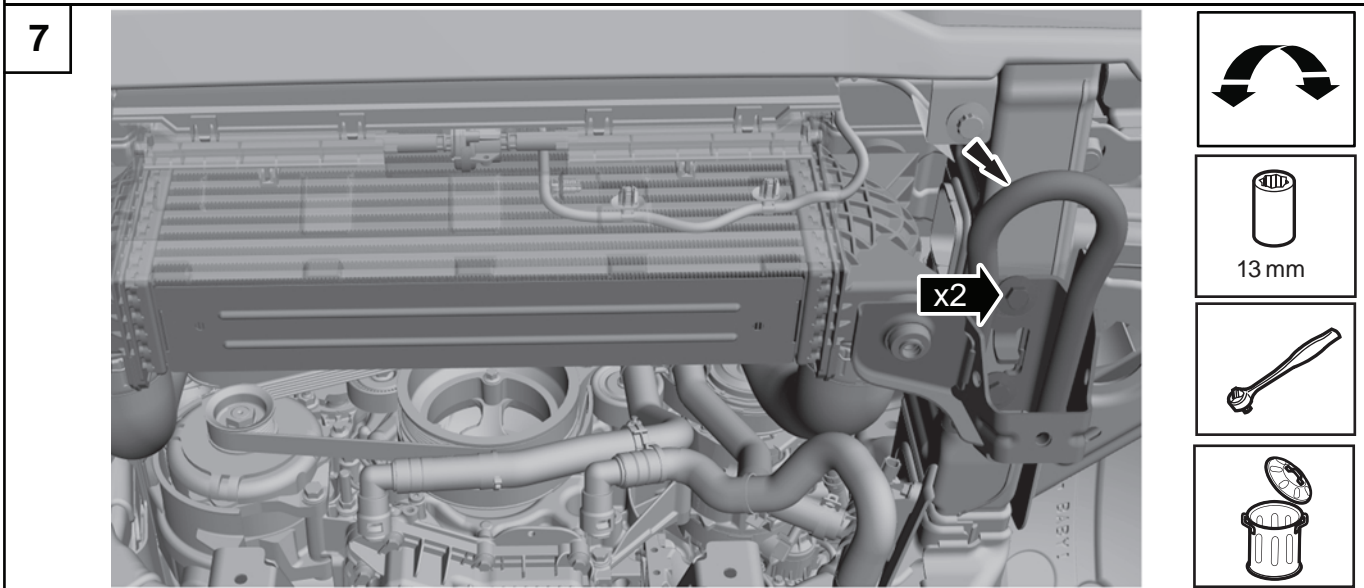
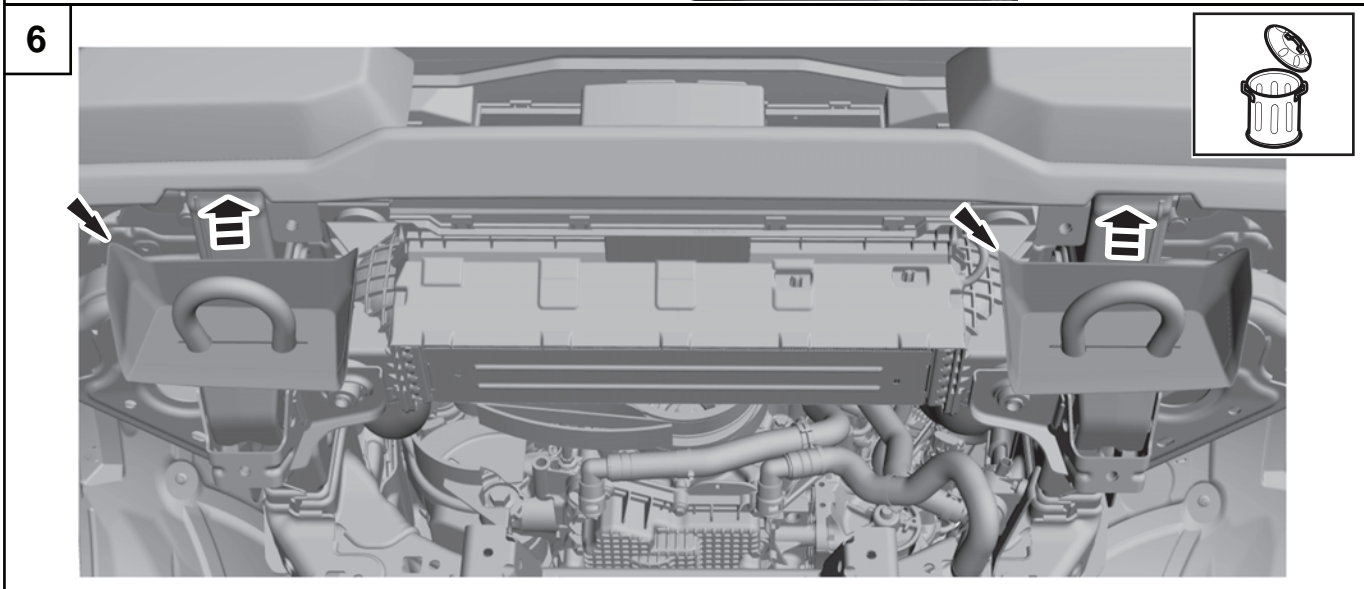
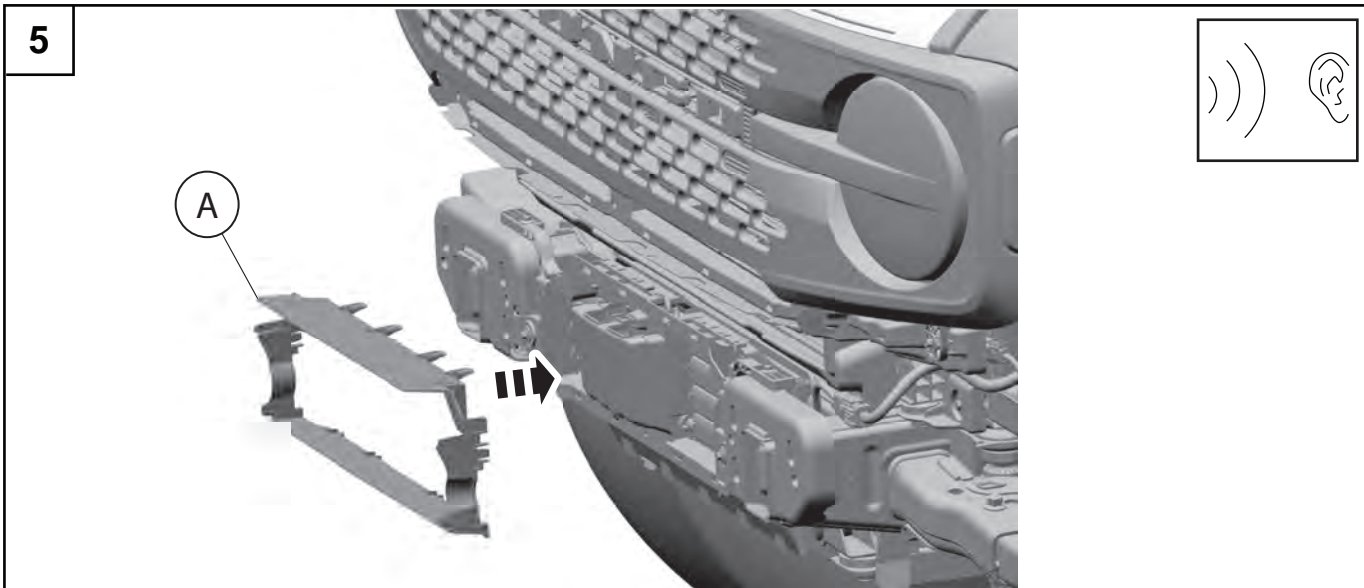
© Copyright Ford 2026  
Printed Copies are uncontrolled  
Expert Fitment Required  
Subject to alteration without notice

**BRONCO 2021**









**8**

B C x4

80 Nm (59 Lb ft)

13 mm

**9**

D G E x7

T40

T40

25 Nm (18 Lb ft)

**10**

D F G x7

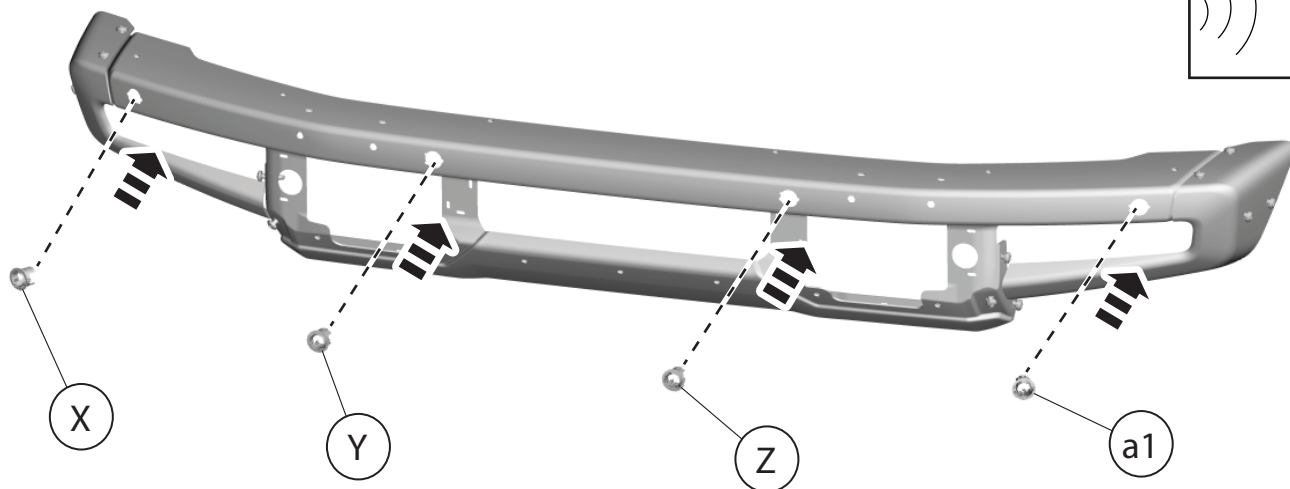
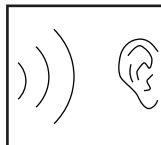
T40

T40

25 Nm (18 Lb ft)

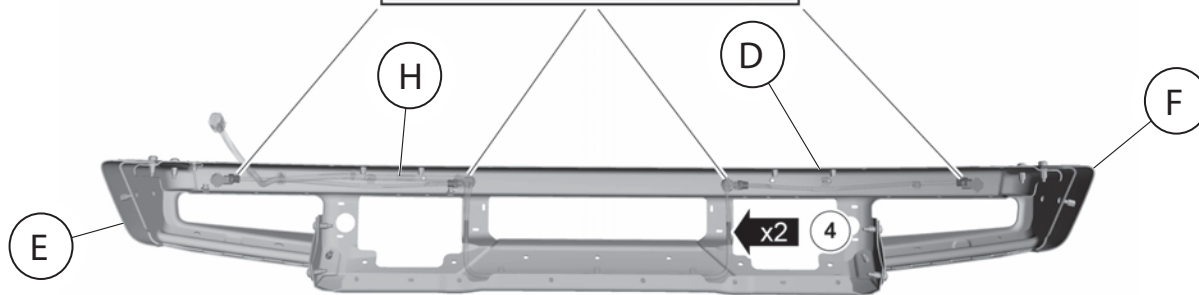
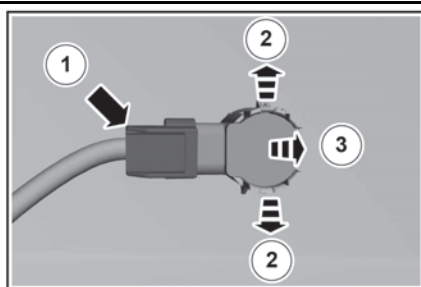
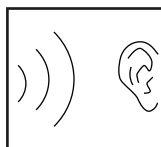
11

(EN) If equipped.

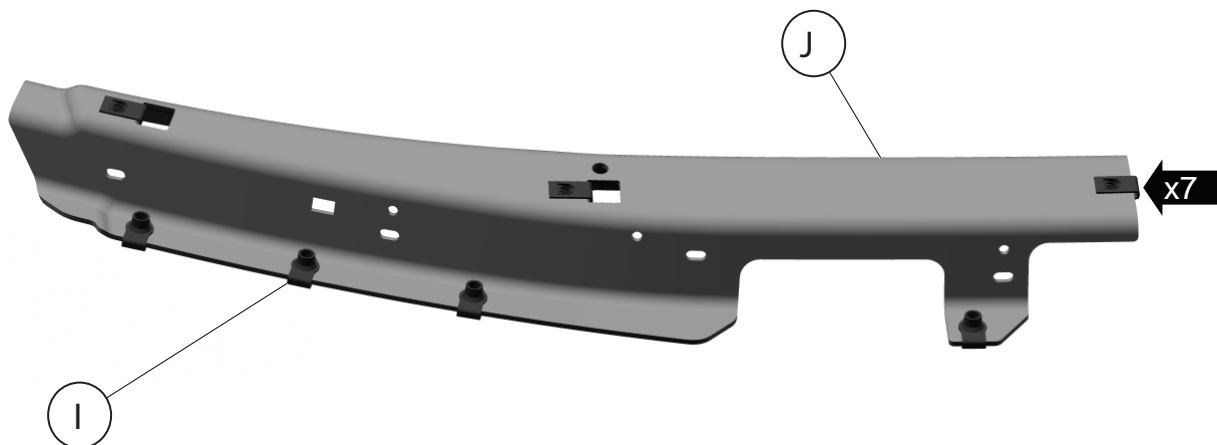


12

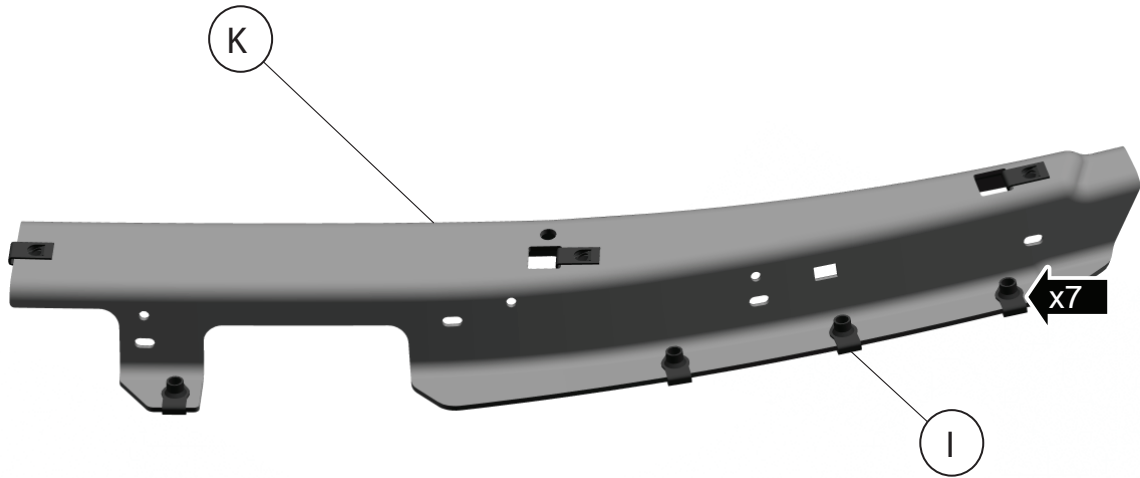
(EN) If equipped.



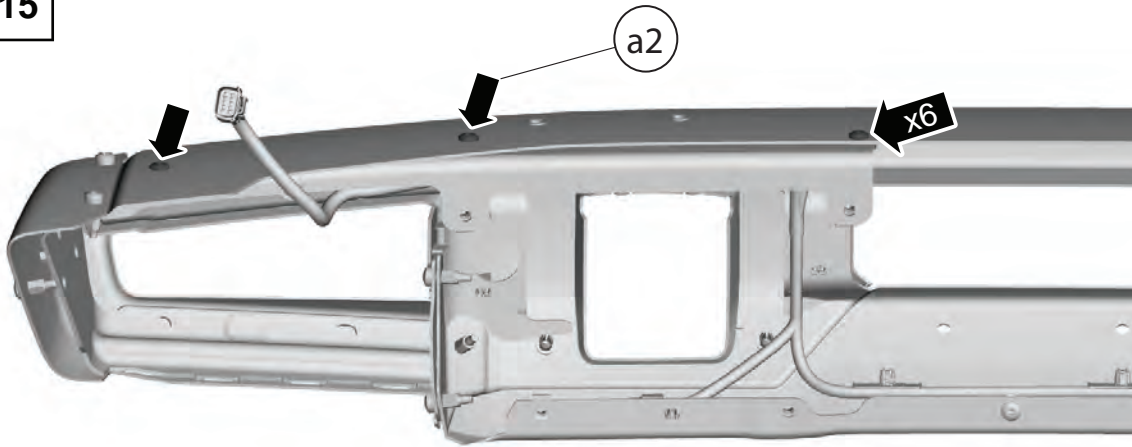
13



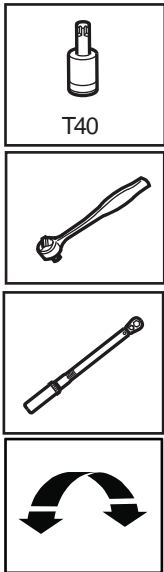
14



15

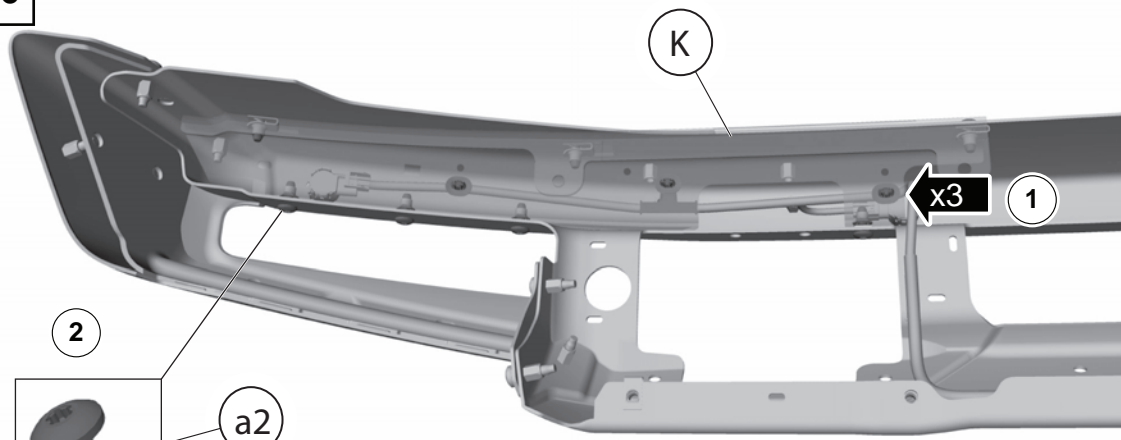


25 Nm (18 Lb ft)

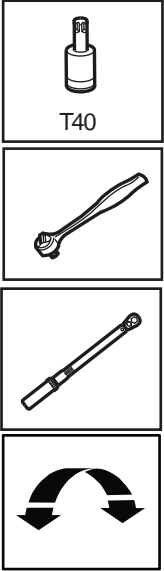


T40

16

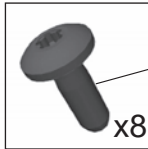


25 Nm (18 Lb ft)



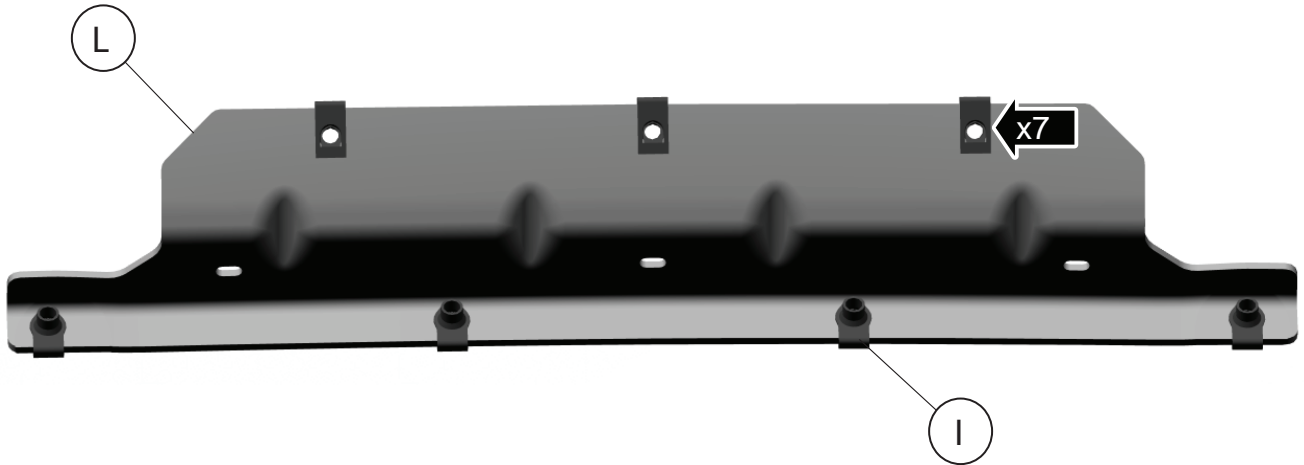
T40

2

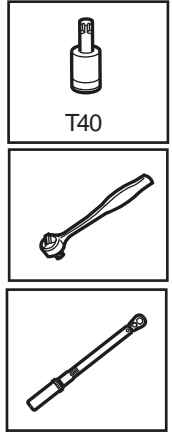
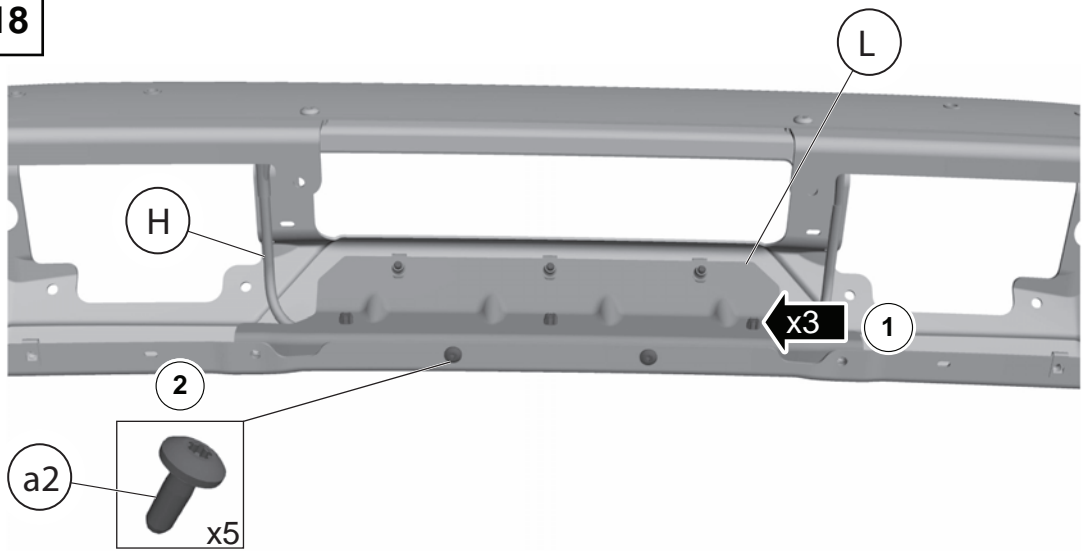


a2

17

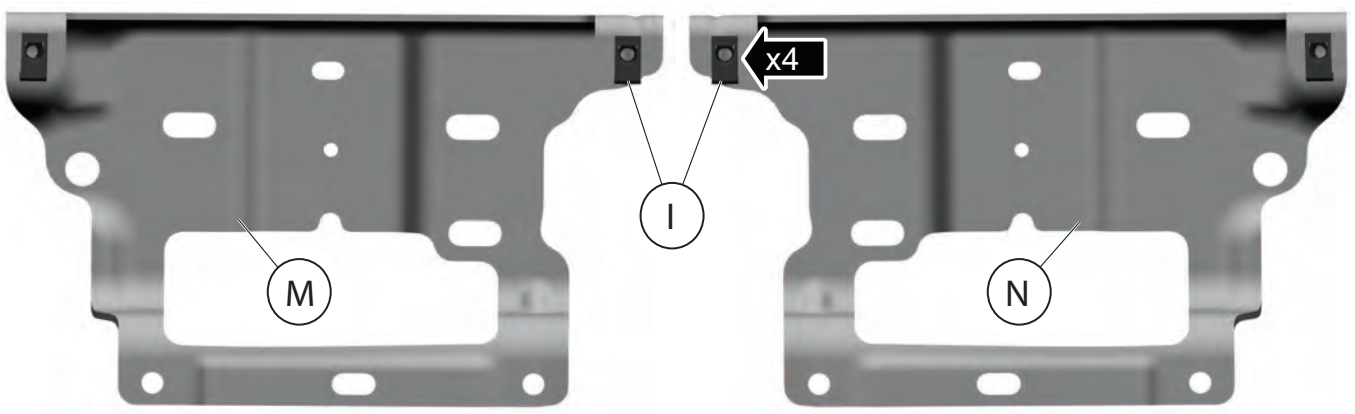


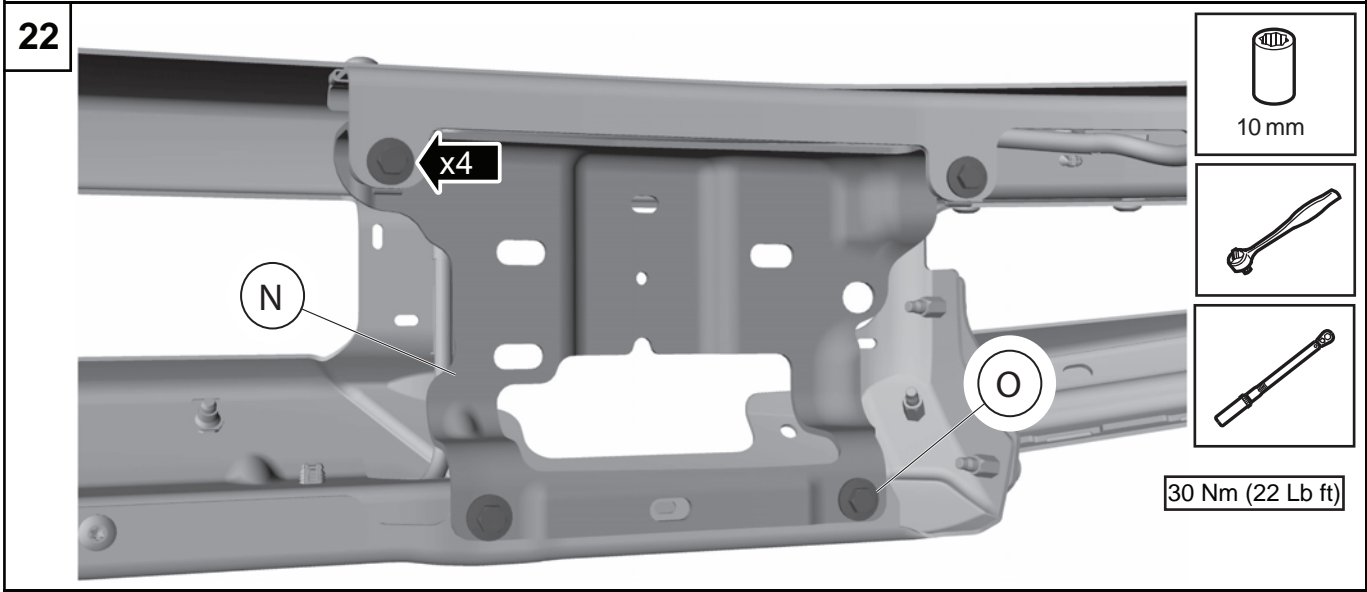
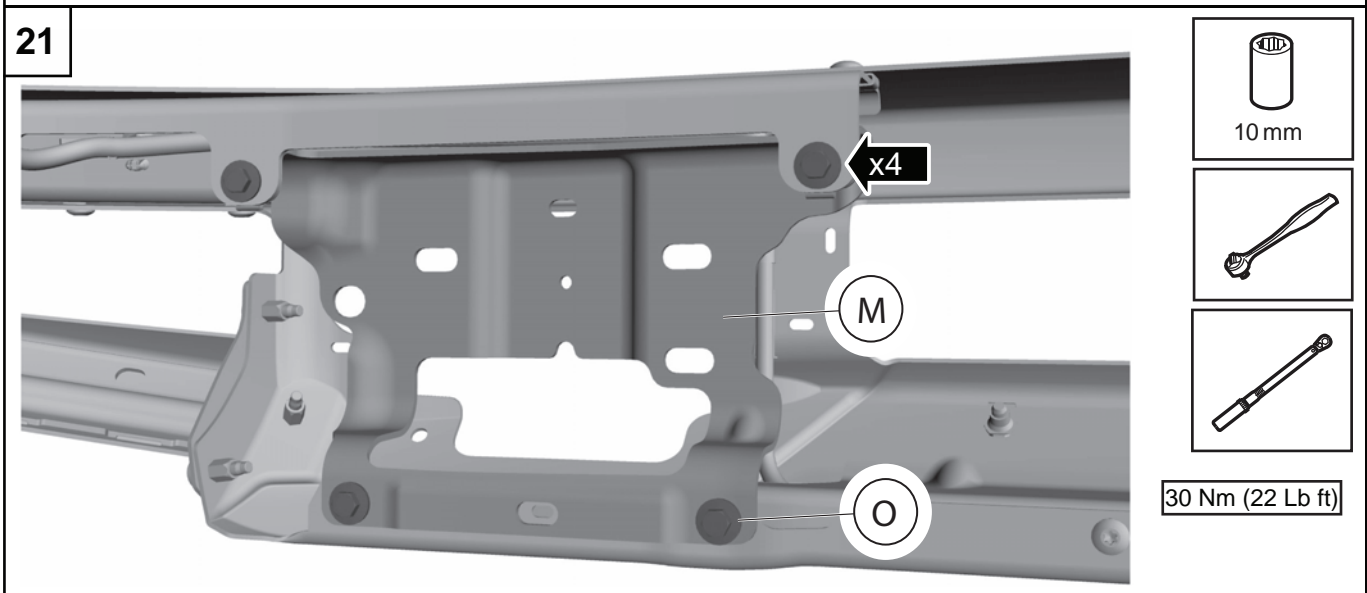
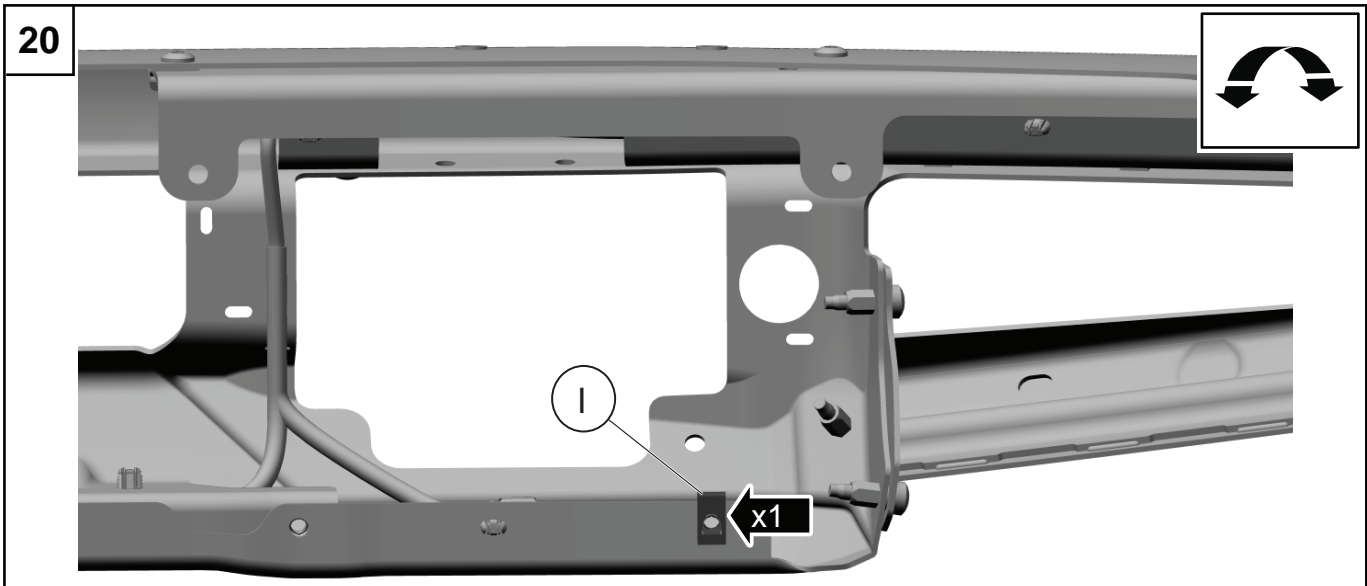
18



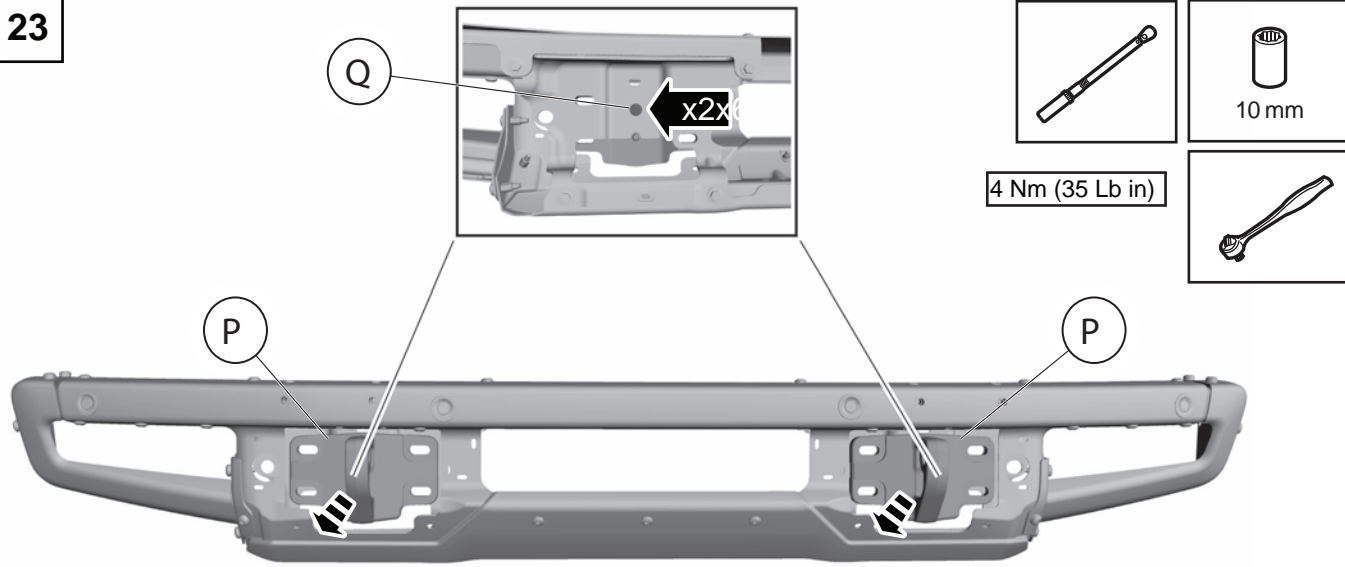
25 Nm (18 Lb ft)

19

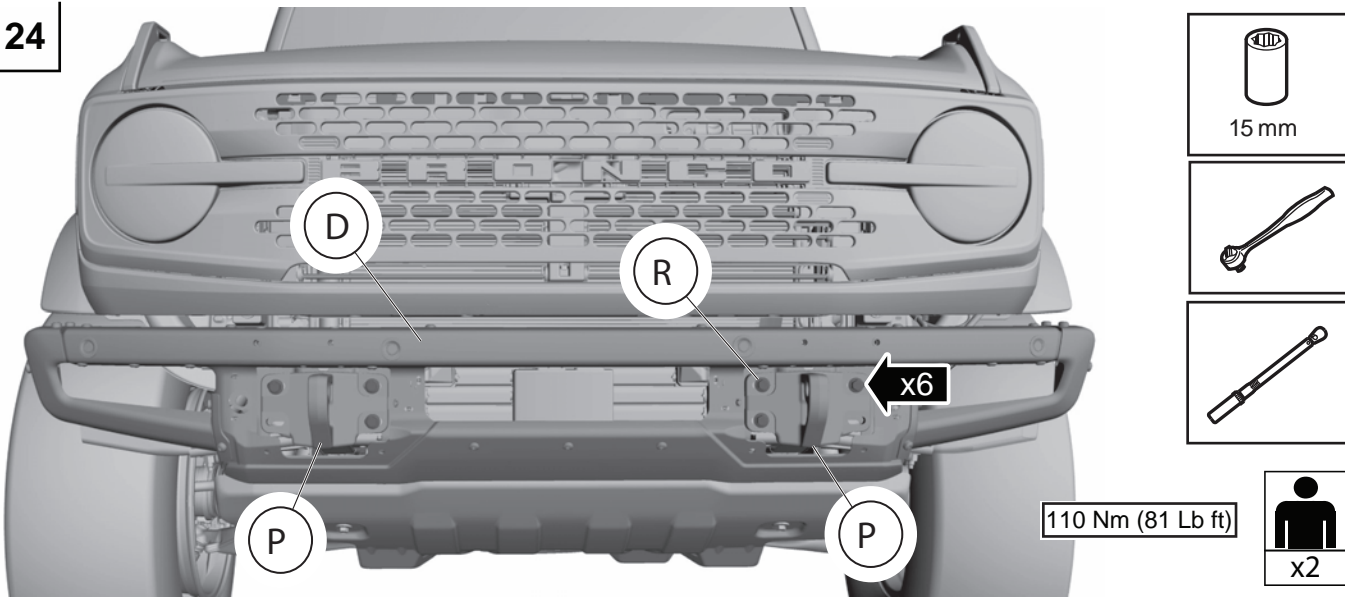




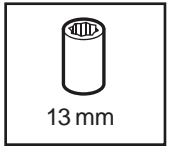
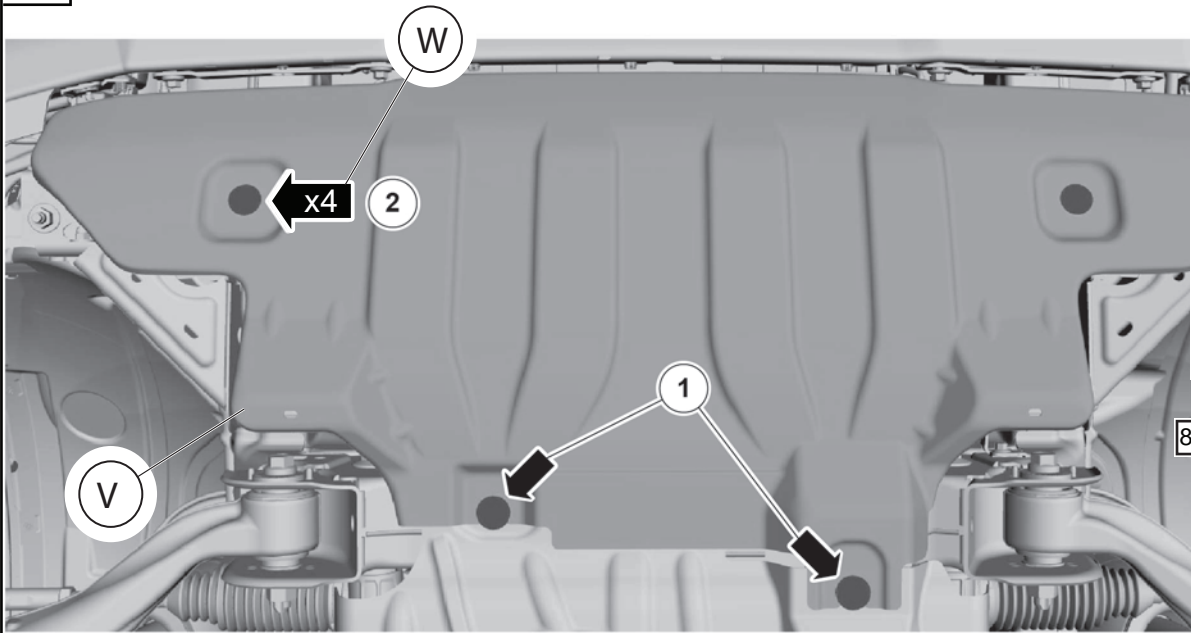
23



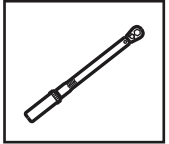
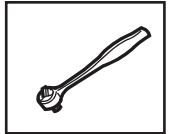
24



25

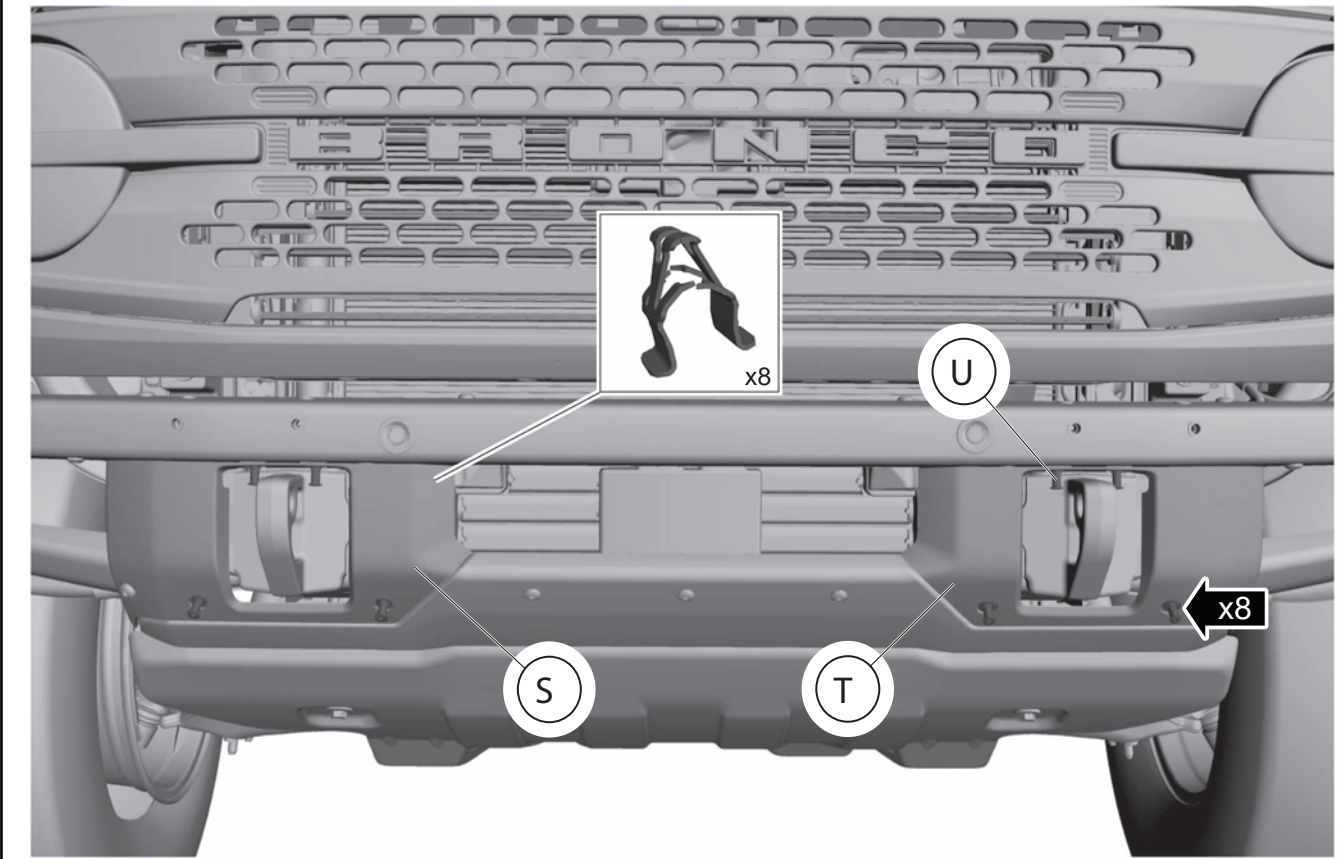


13 mm

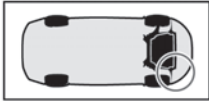
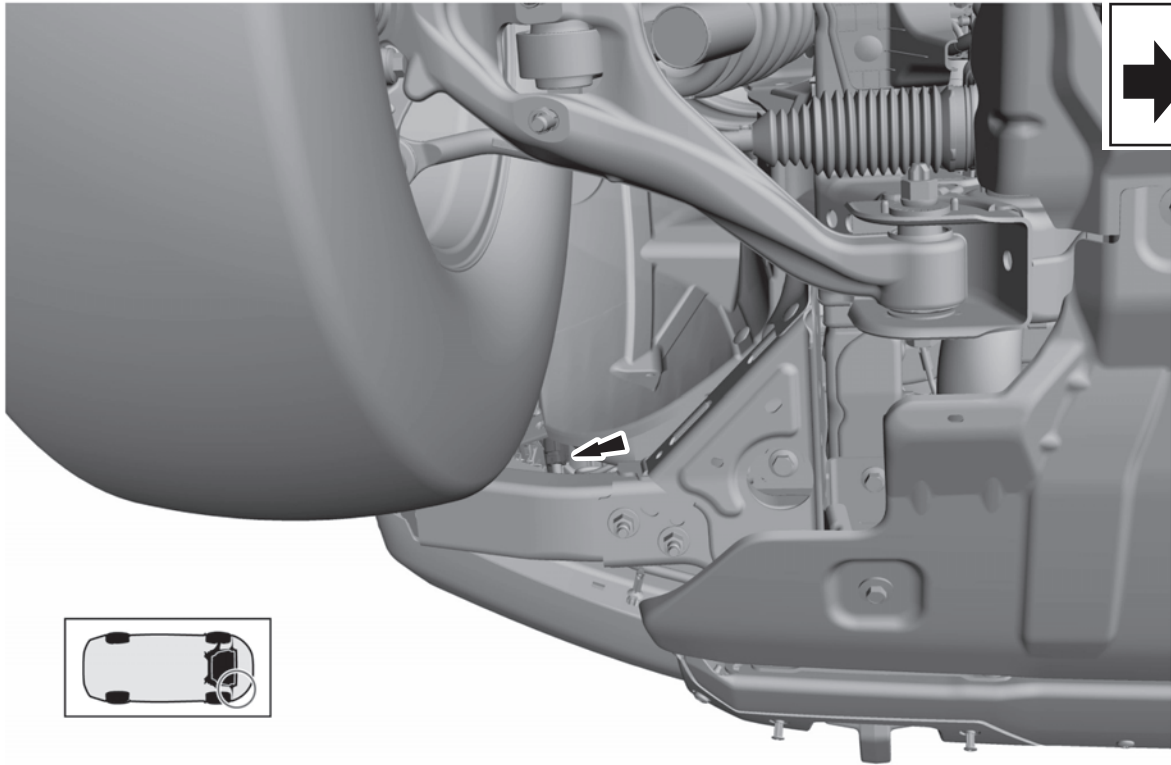


80 Nm (59 Lb ft)

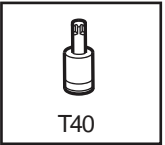
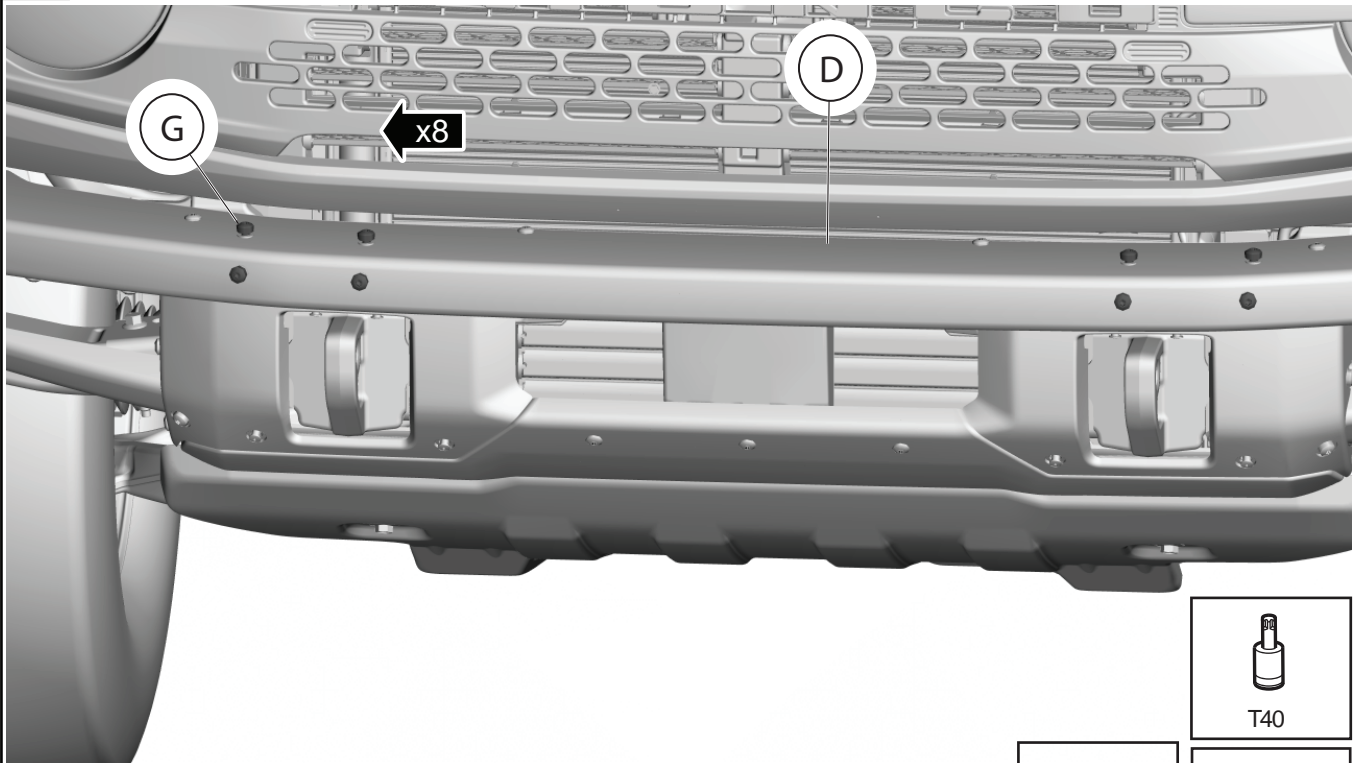
26



27

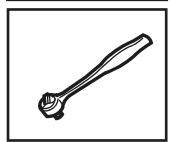
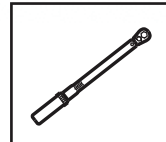


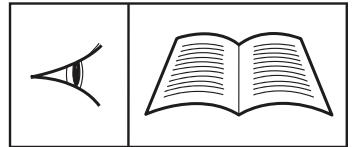
28



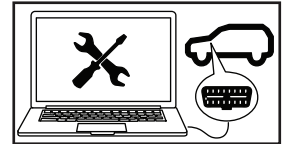
T40

25 Nm (18 Lb ft)



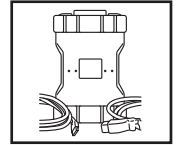


- (EN) 1. Perform the Azmith System Check.
- 2. Perform the Elevation System Check.



NOTE: Follow the FDRS instructions Front Bumper Configuration, under programmable features.

The passwords for the part numbers are:



Front Bumper Configuration	Password
Blow Molded to Modular Front Bumper	M2DB-17757-M
Modular to Blow Molded Front Bumper	M2DZ-17D957
Steel to Modular Front Bumper	M2DB-17757-M
Modular to Steel Front Bumper	M2DB-17757-S