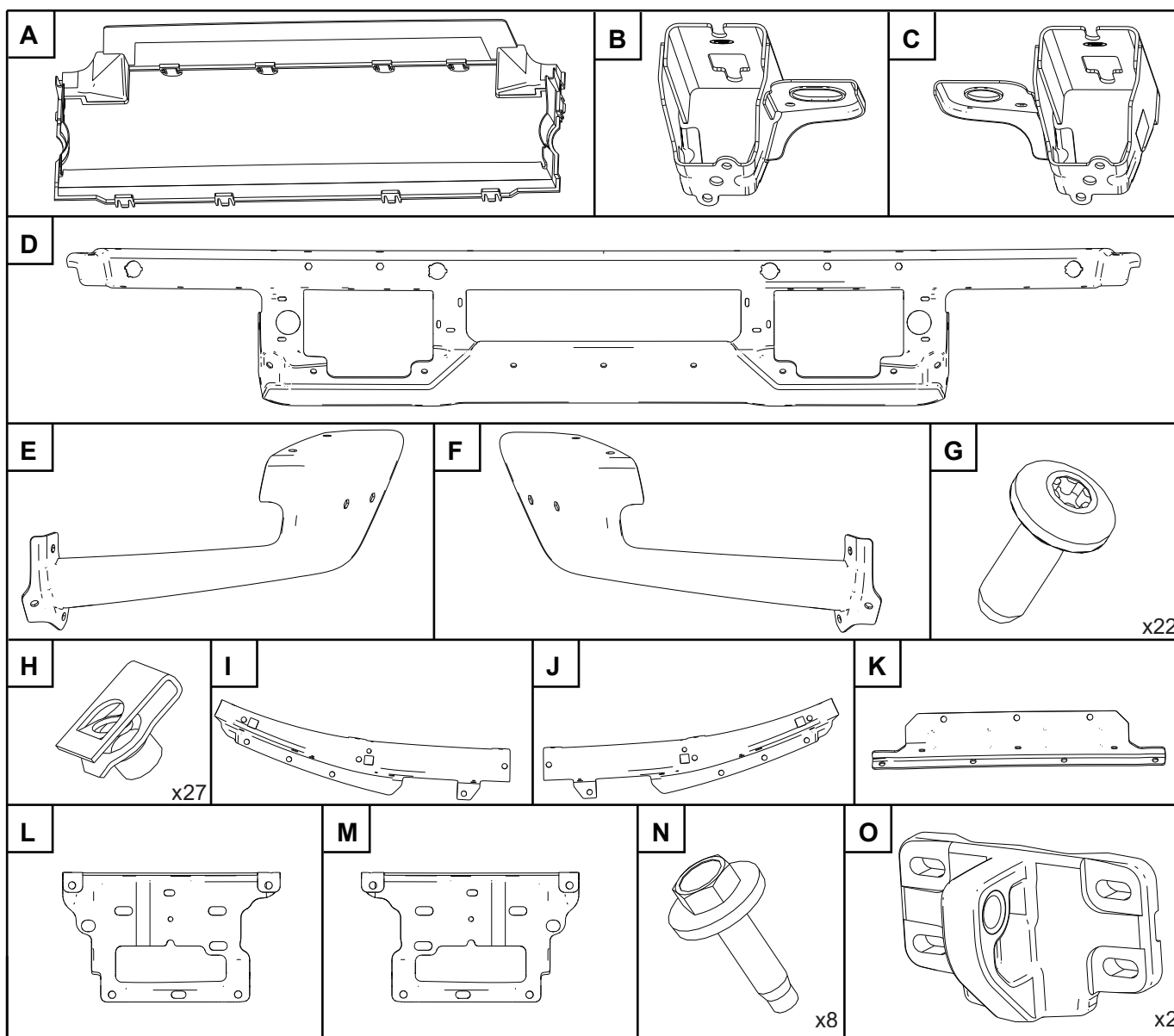
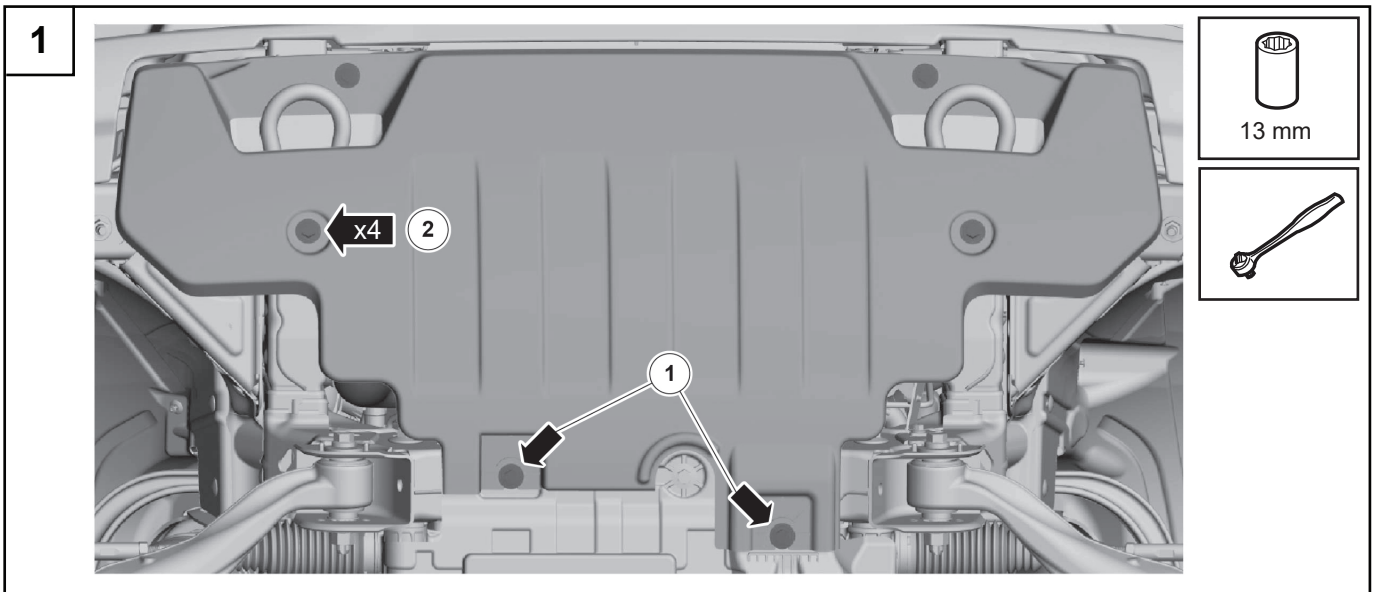
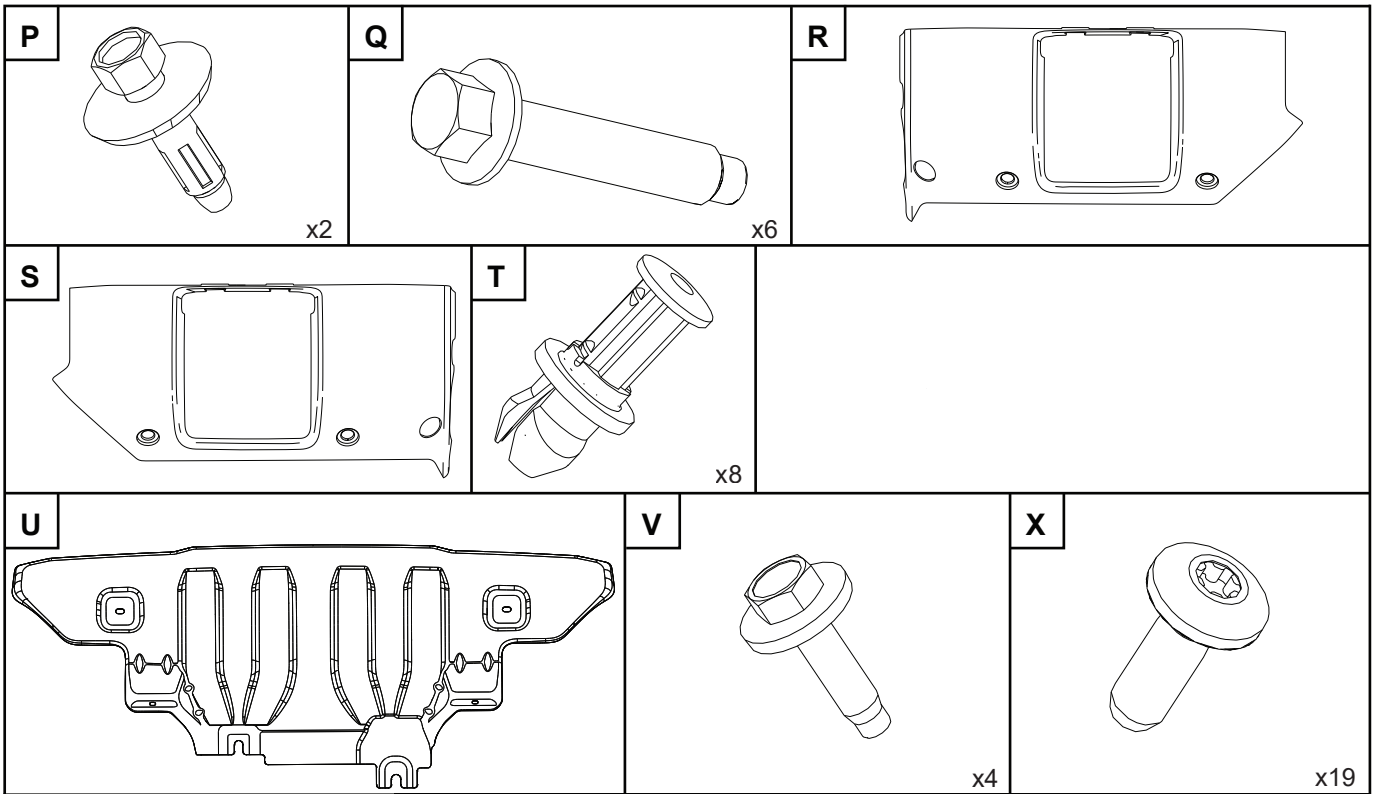




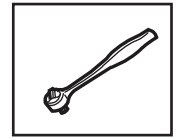
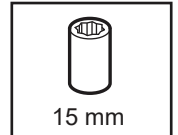
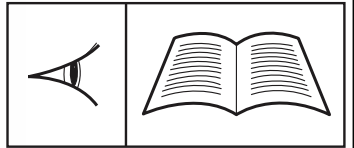
© Copyright Ford 2025
Printed Copies are uncontrolled
Expert Fitment Required
Subject to alteration without notice

BRONCO 2021



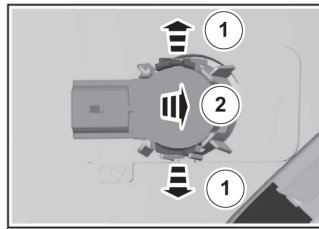


2

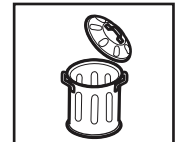
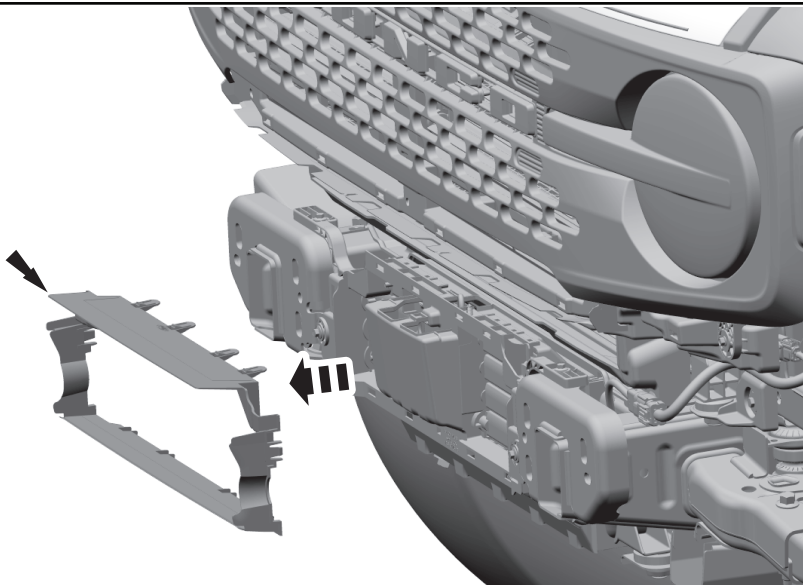


3

(EN) If equipped.

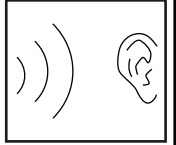
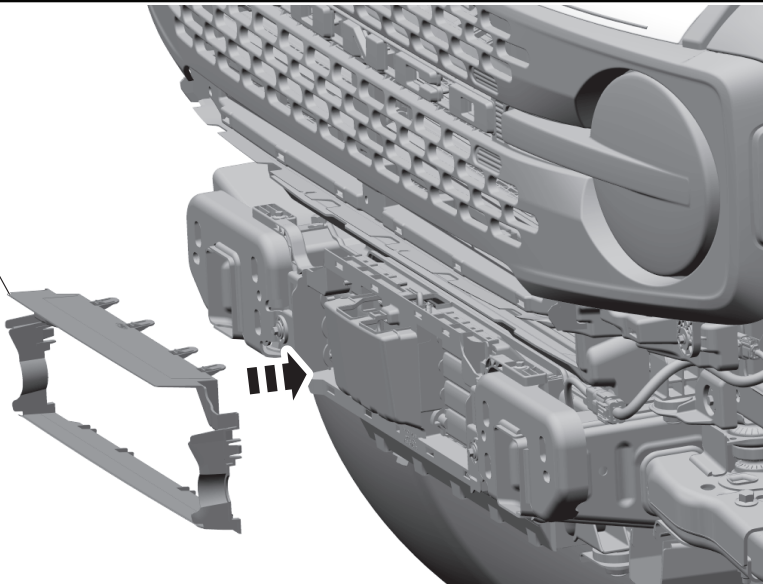


4

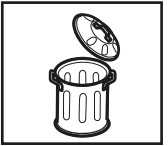
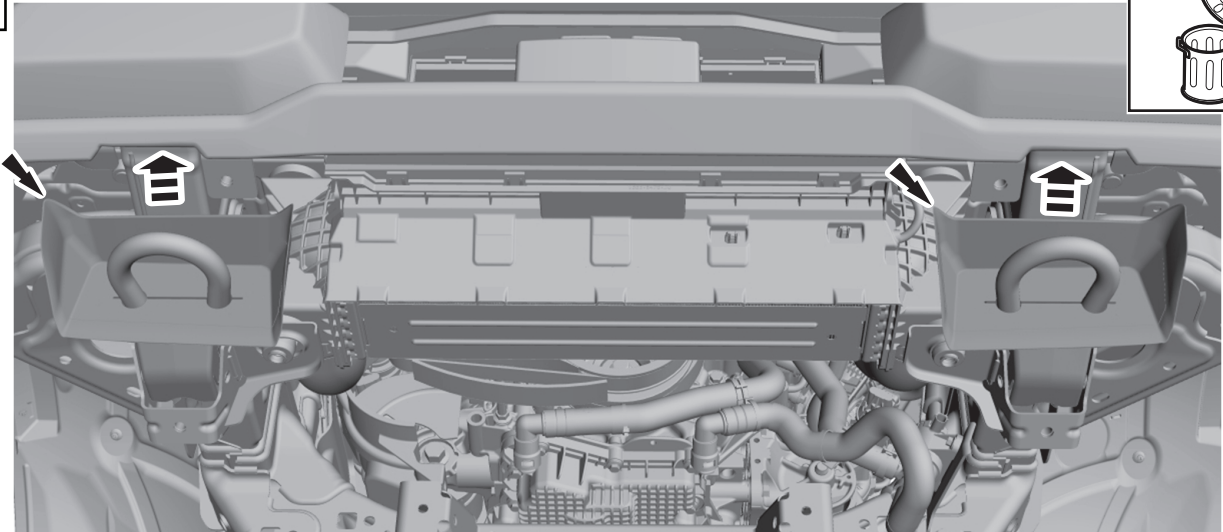


5

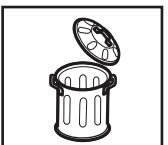
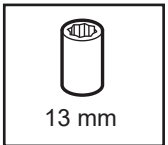
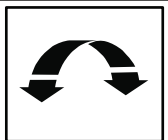
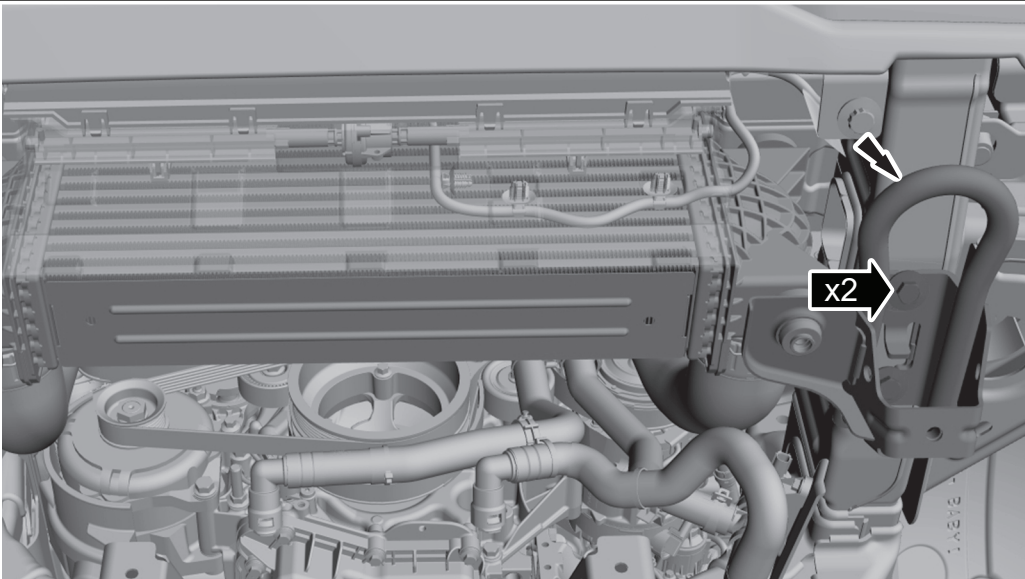
A



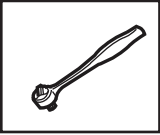
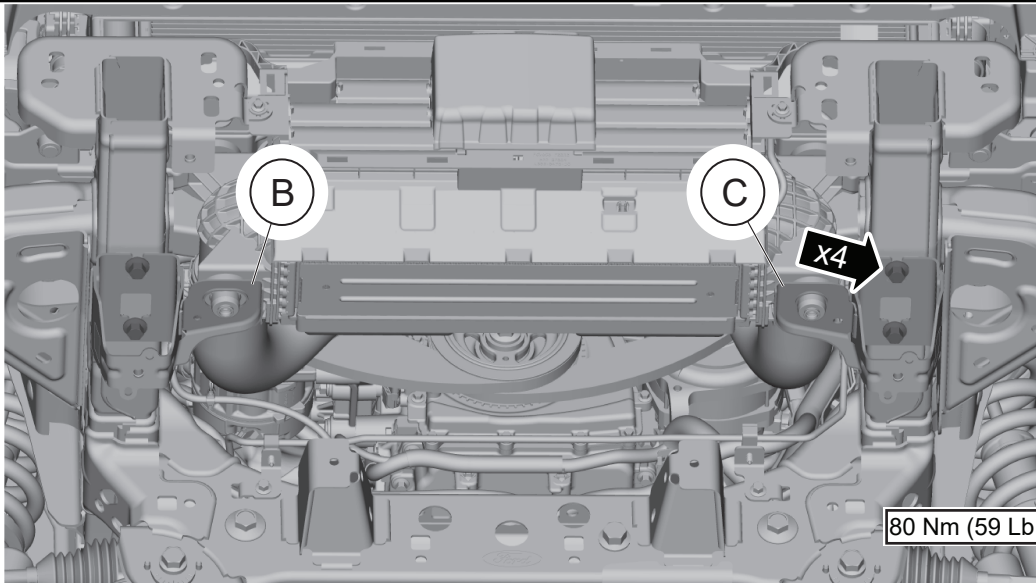
6



7

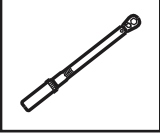
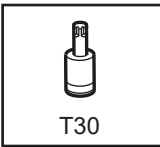
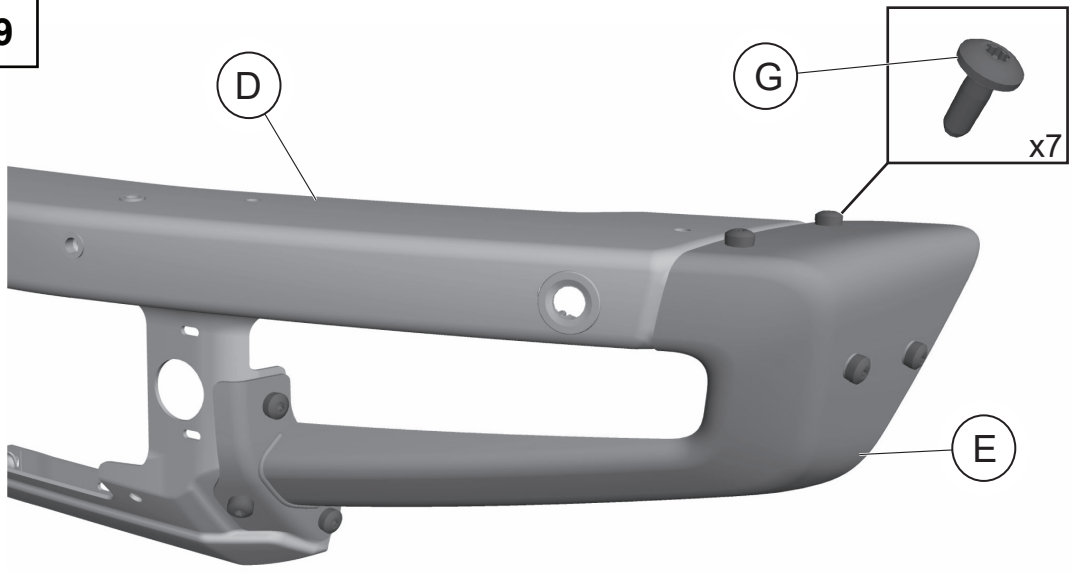


8



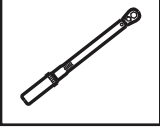
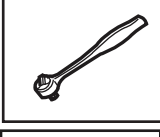
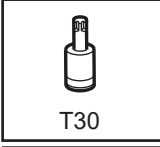
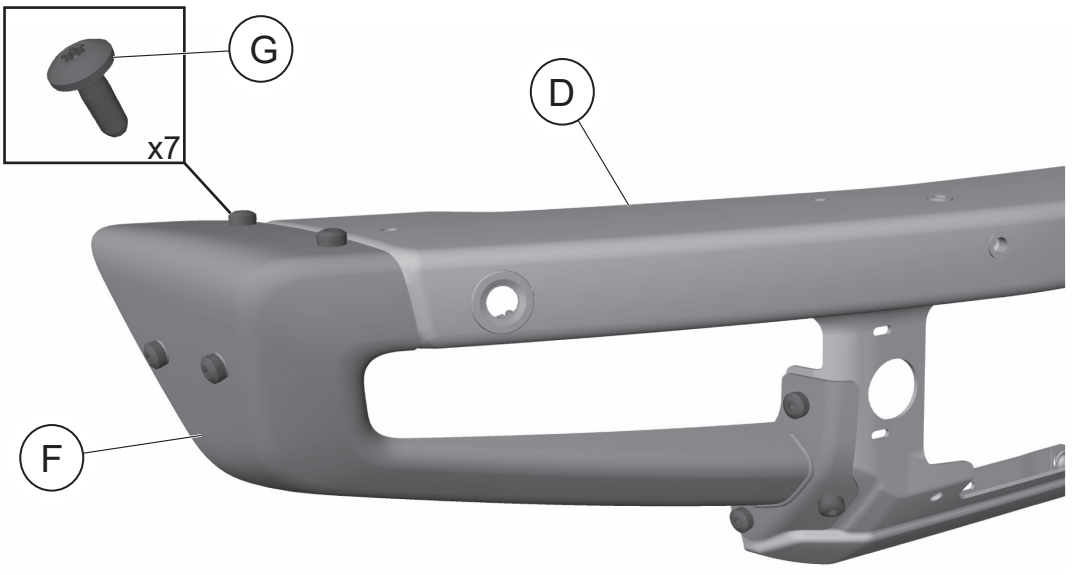
80 Nm (59 Lb ft)

9



25 Nm (18 Lb ft)

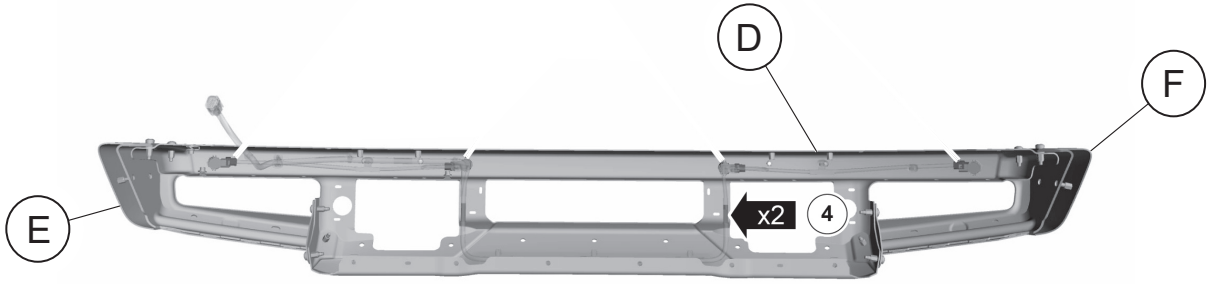
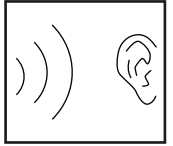
10



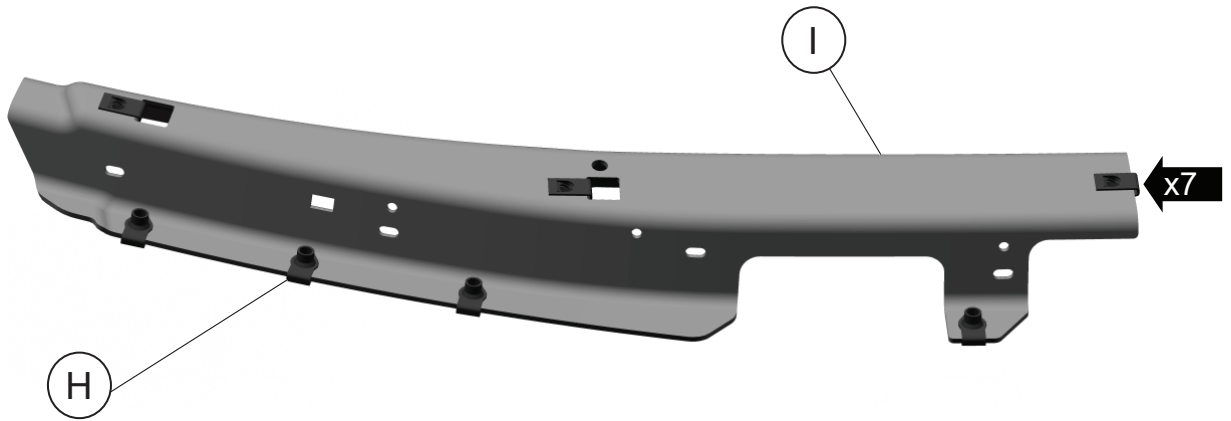
25 Nm (18 Lb ft)



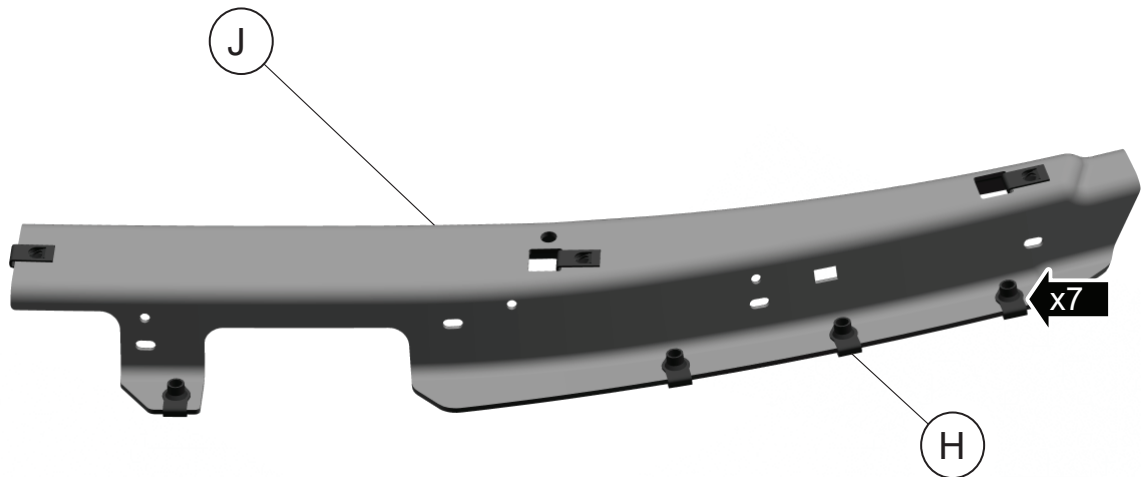
11



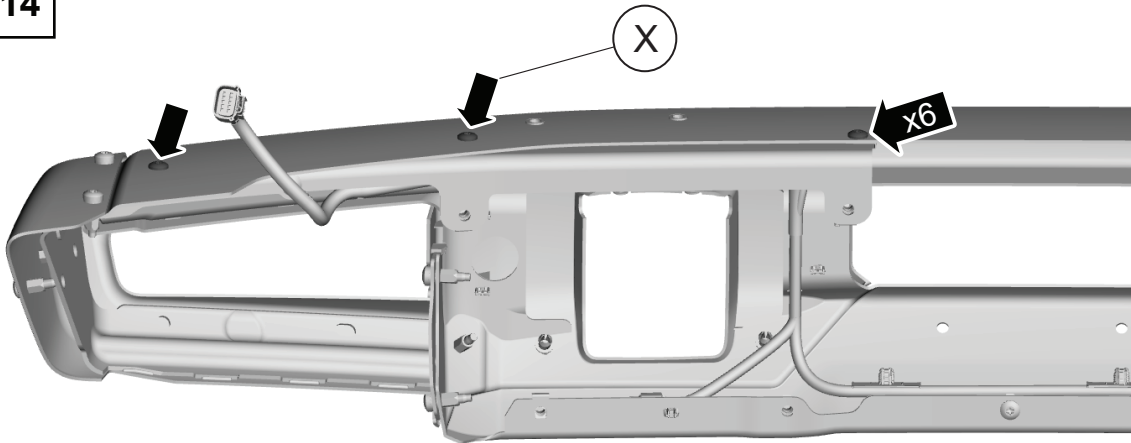
12



13



14



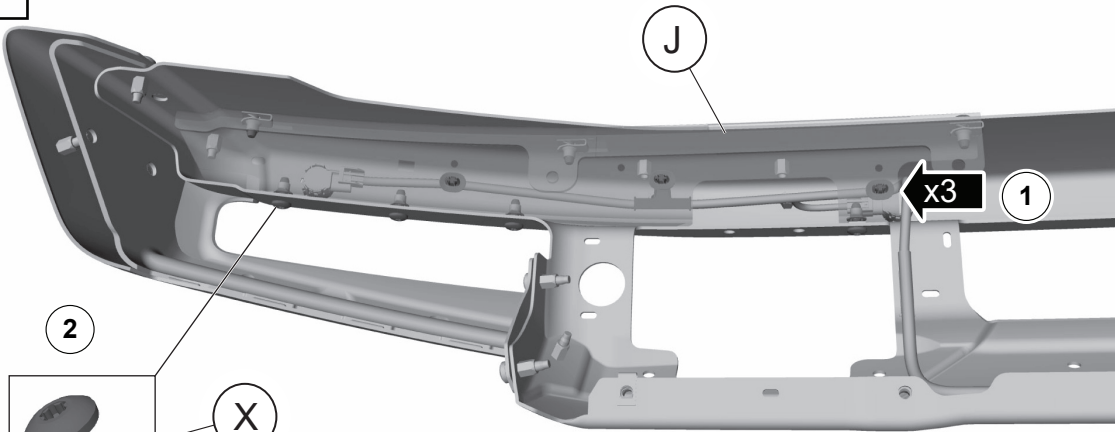
25 Nm (18 Lb ft)



T30



15



25 Nm (18 Lb ft)



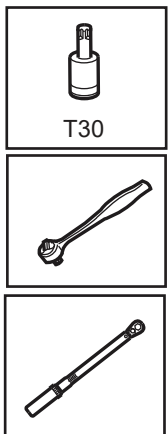
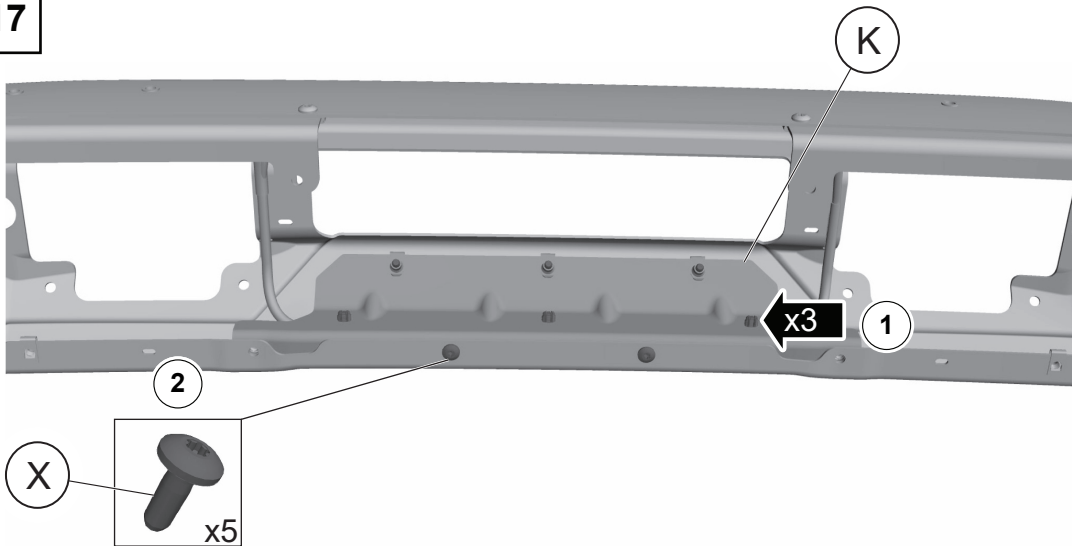
T30



16



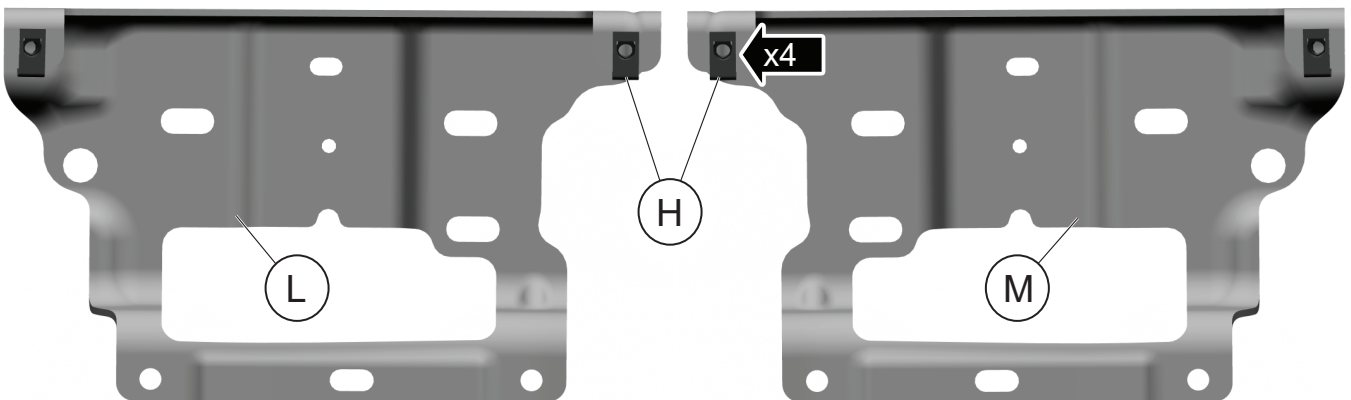
17



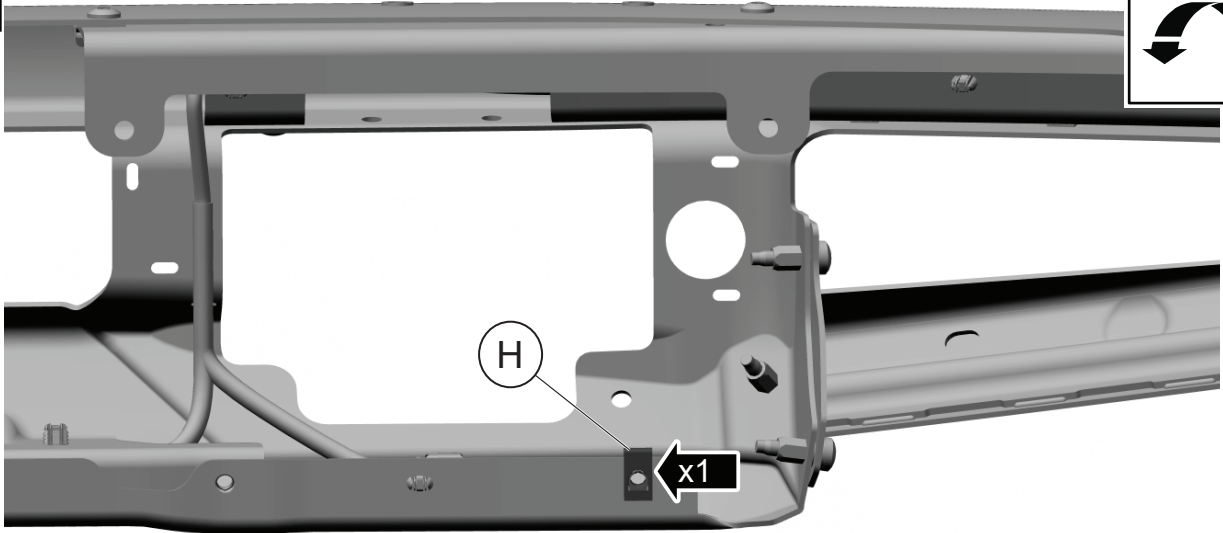
T30

25 Nm (18 Lb ft)

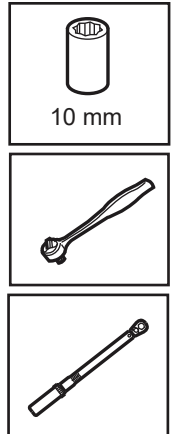
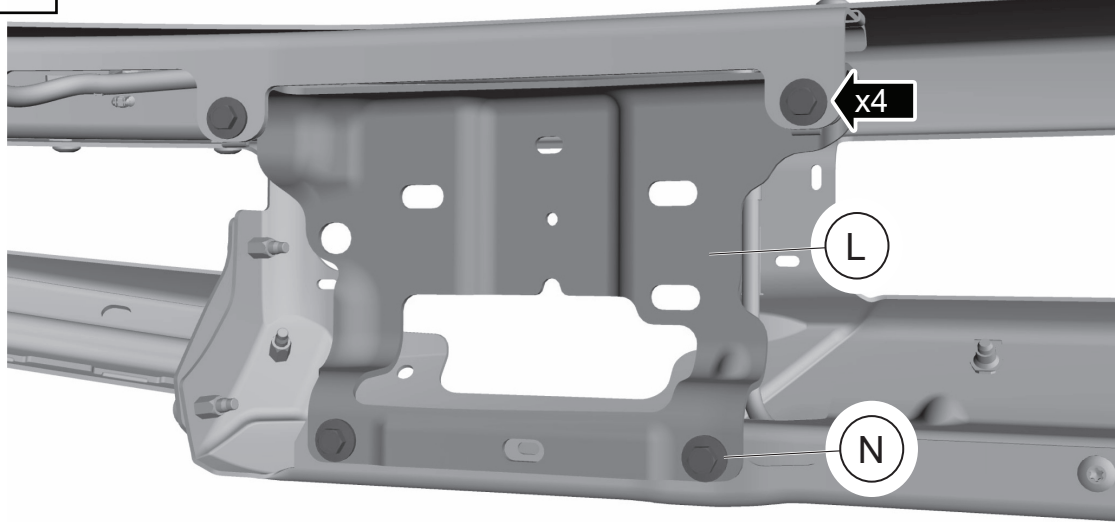
18



19

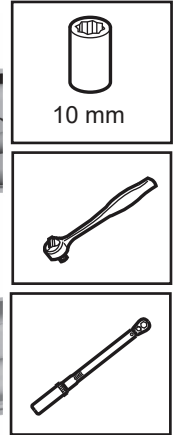
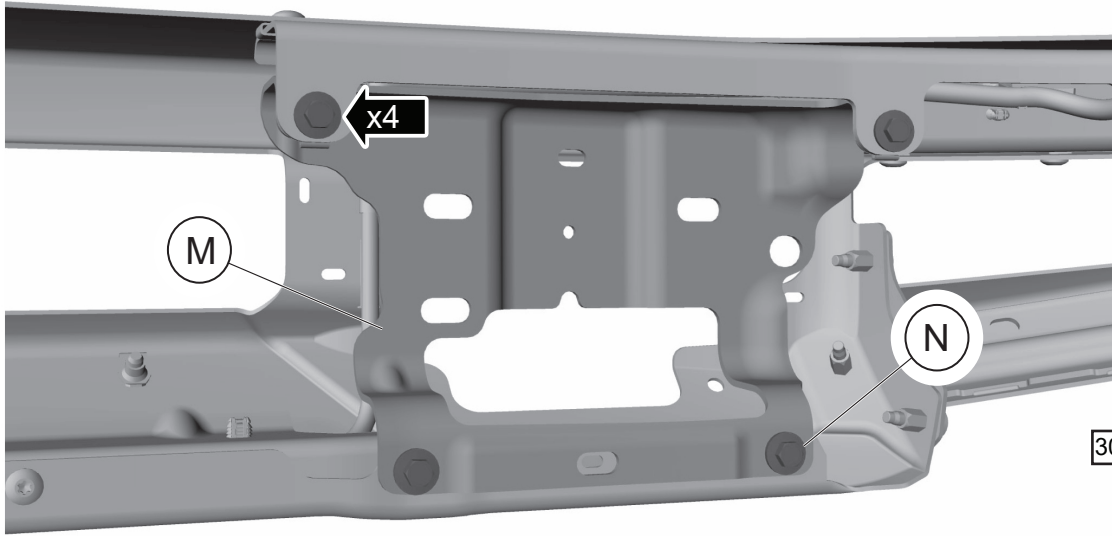


20



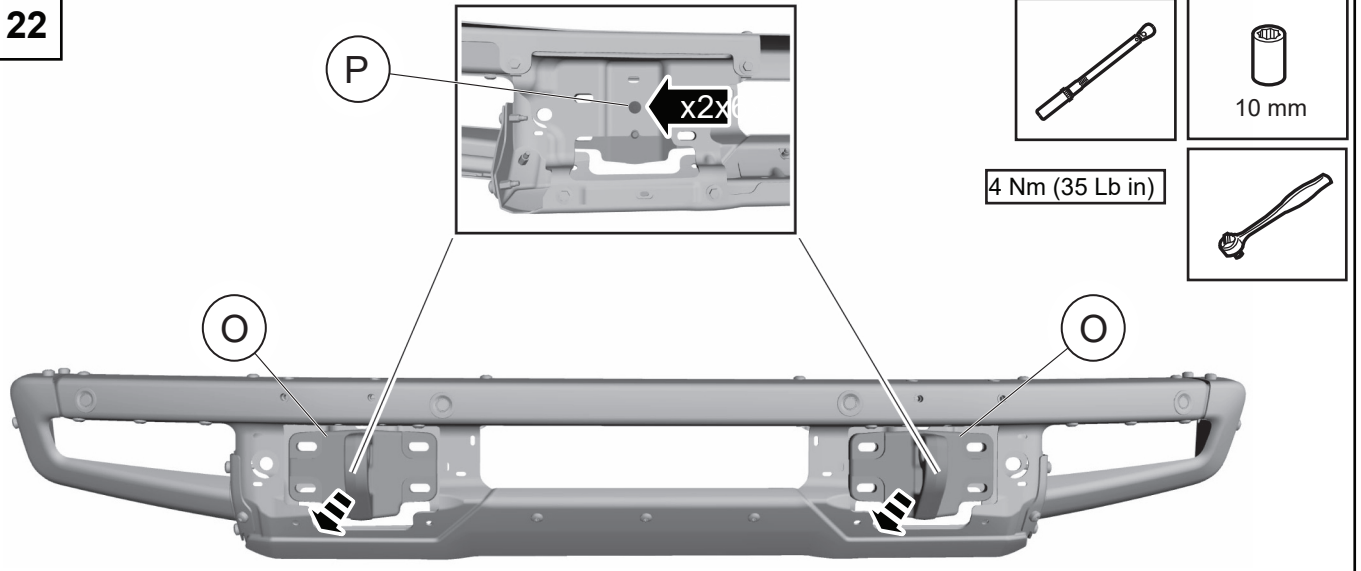
30 Nm (22 Lb ft)

21

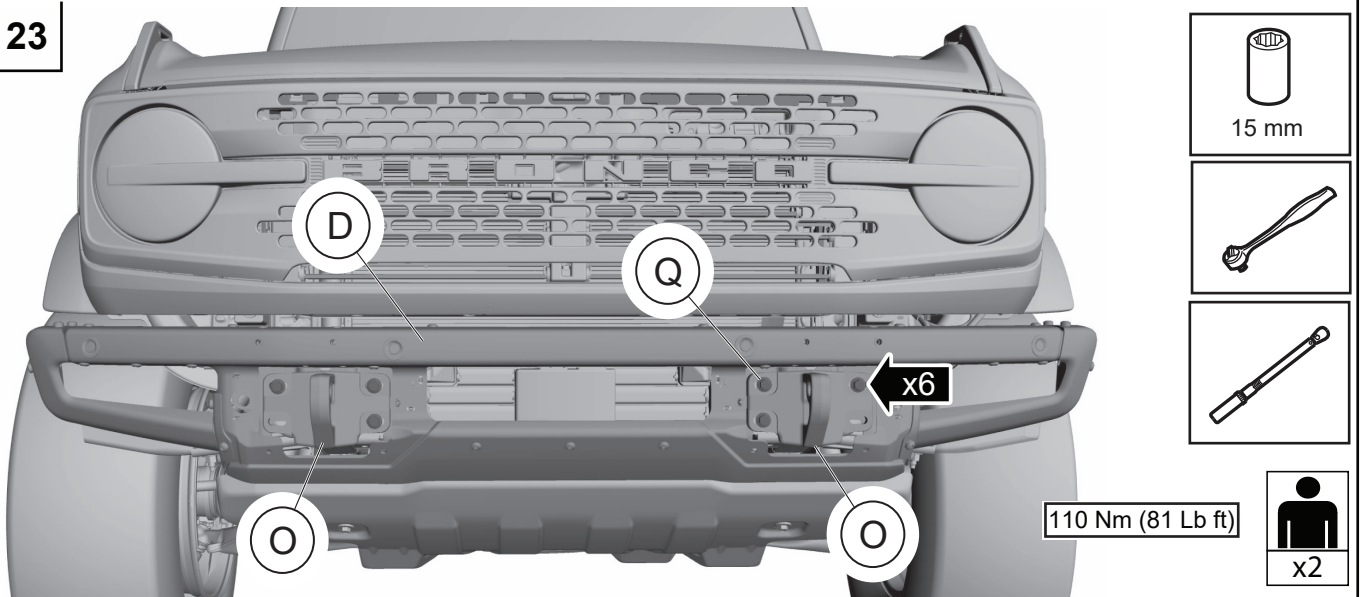


30 Nm (22 Lb ft)

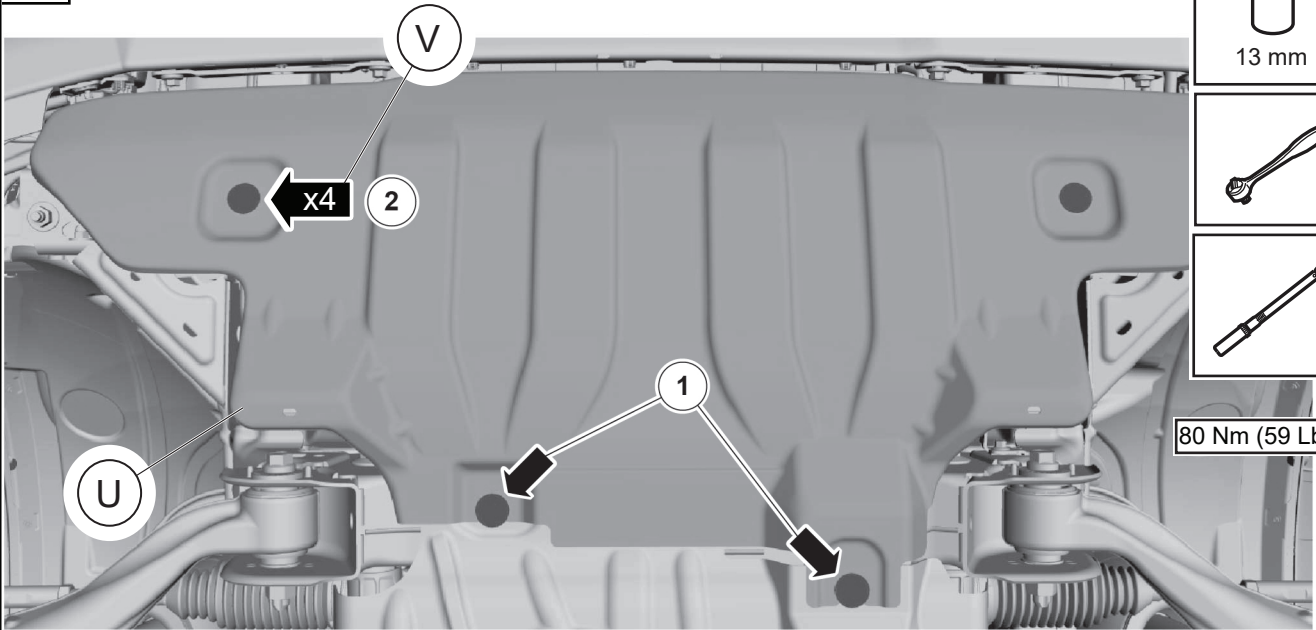
22



23



24

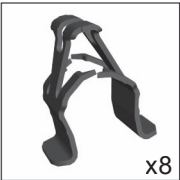
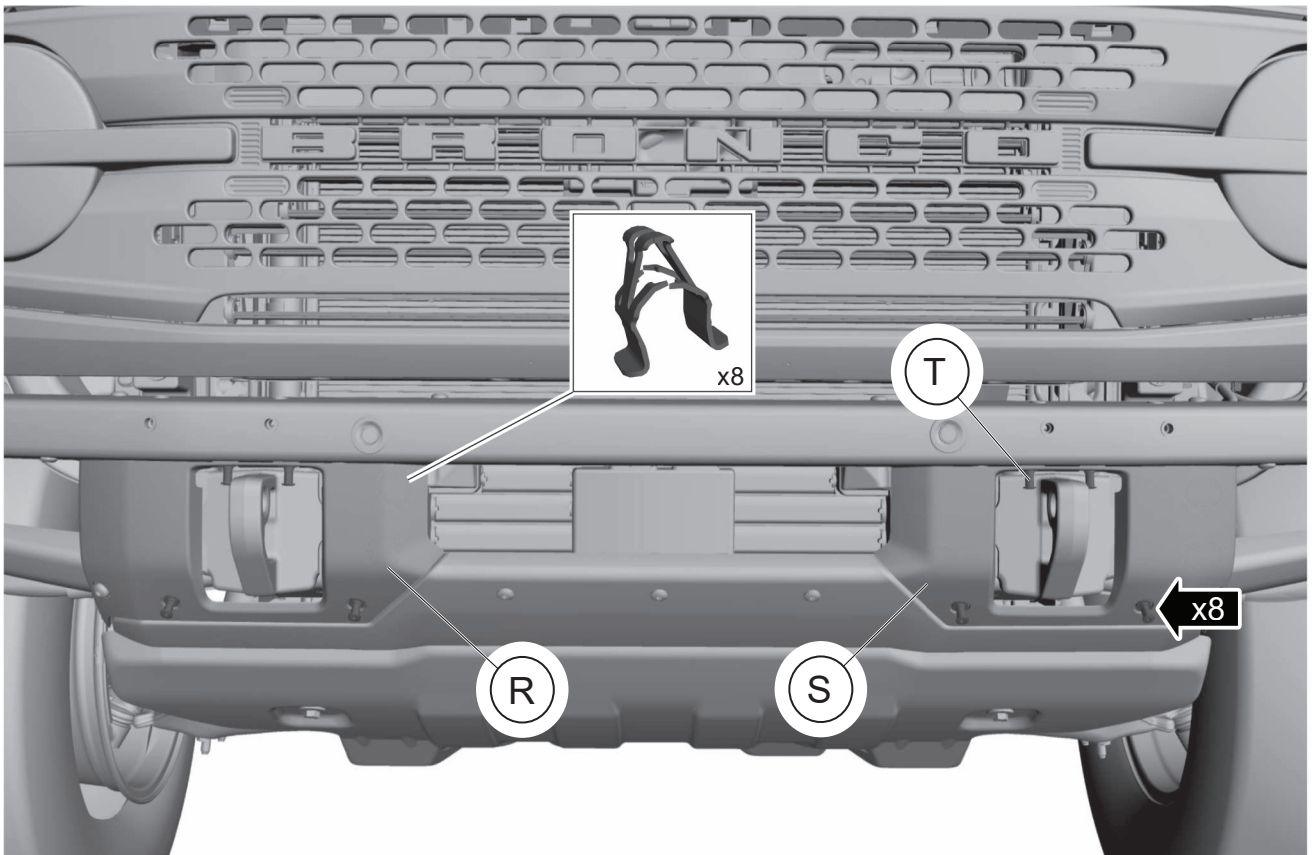


13 mm



80 Nm (59 Lb ft)

25



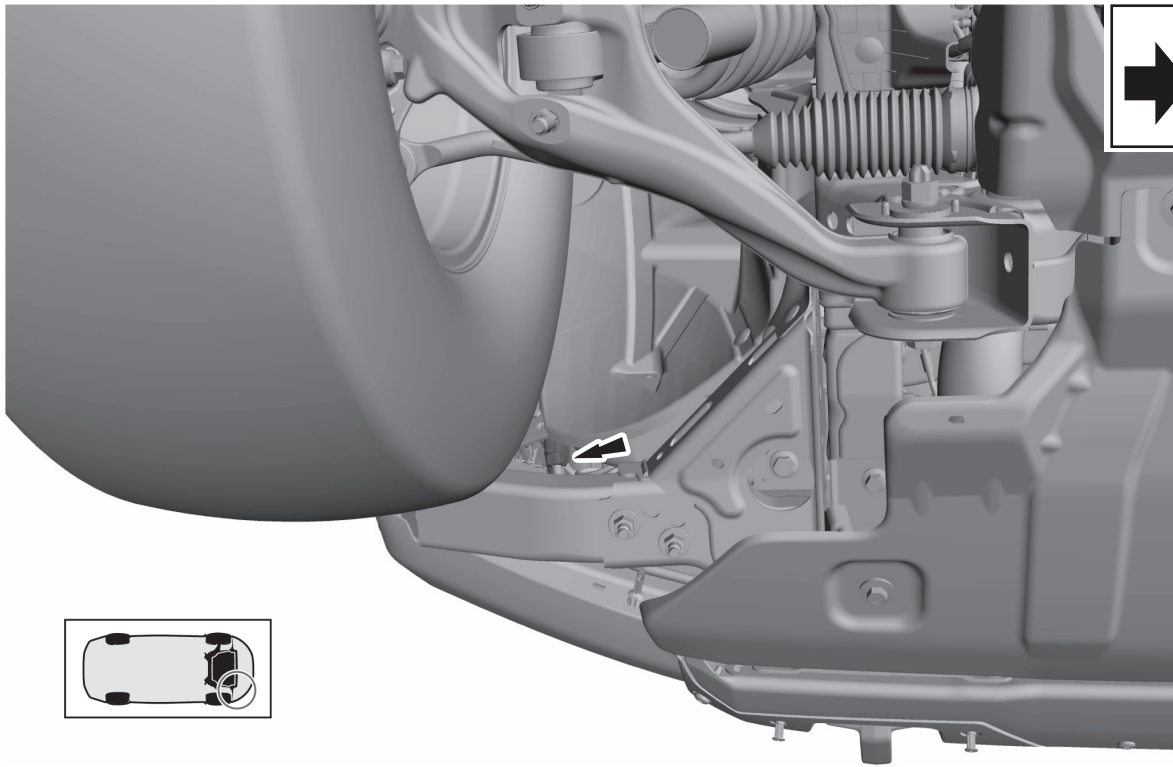
T

R

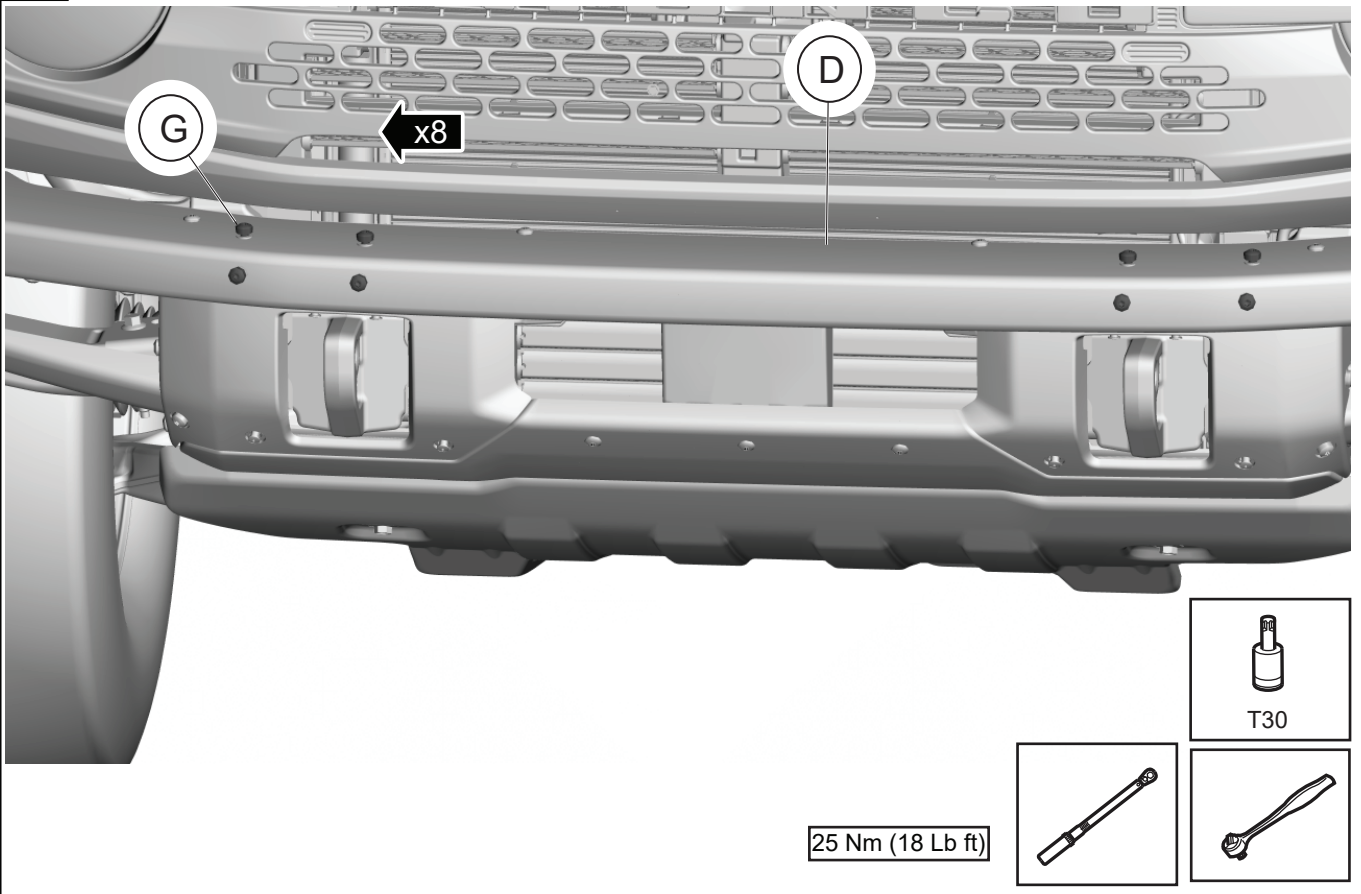
S

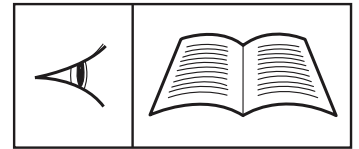
x8

26



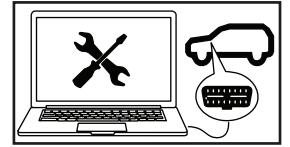
27





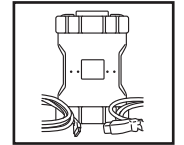
(EN) 1. Perform the Azmith System Check.

2. Perform the Elevation System Check.



NOTE: Follow the FDRS instructions Front Bumper Configuration, under programmable features.

The passwords for the part numbers are:



Front Bumper Configuration	Password
Blow Molded to Modular Front Bumper	M2DB-17757-M
Modular to Blow Molded Front Bumper	M2DZ-17D957
Steel to Modular Front Bumper	M2DB-17757-M
Modular to Steel Front Bumper	M2DB-17757-S