



M-19007-BRS
2021+MY Bronco
Raptor Exoskeleton Kit

NO PART OF THIS DOCUMENT MAY BE REPRODUCED WITHOUT PRIOR AGREEMENT AND WRITTEN PERMISSION OF
FORD PERFORMANCE PARTS © Ford Motor Company 2020

PRIOR TO INSTALLATION READ THESE INSTRUCTION COMPETELY
For questions, Call the FORD PERFORMANCE Techline 1-800-367-3788

Please visit <https://www.performanceparts.ford.com> for warranty information



Ford Factory Shop Manual purchase options www.motorcraftservice.com



M-19007-BRS
2021+MY Bronco
Raptor Exoskeleton Kit

NO PART OF THIS DOCUMENT MAY BE REPRODUCED WITHOUT PRIOR AGREEMENT AND WRITTEN PERMISSION OF FORD PERFORMANCE PARTS © Ford Motor Company 2020

Kit contents:

Description	Quantity
Upper Swing Gate Assembly	1
Lower Swing Gate Assembly	1
Swing Gate Exoskeleton	1
Swing Gate Rubber Bumper Stopper	1
Black Bronco Emblem (Swing Gate)	1
Bolt (M8x15)	4

Special Tool(s) / General Equipment

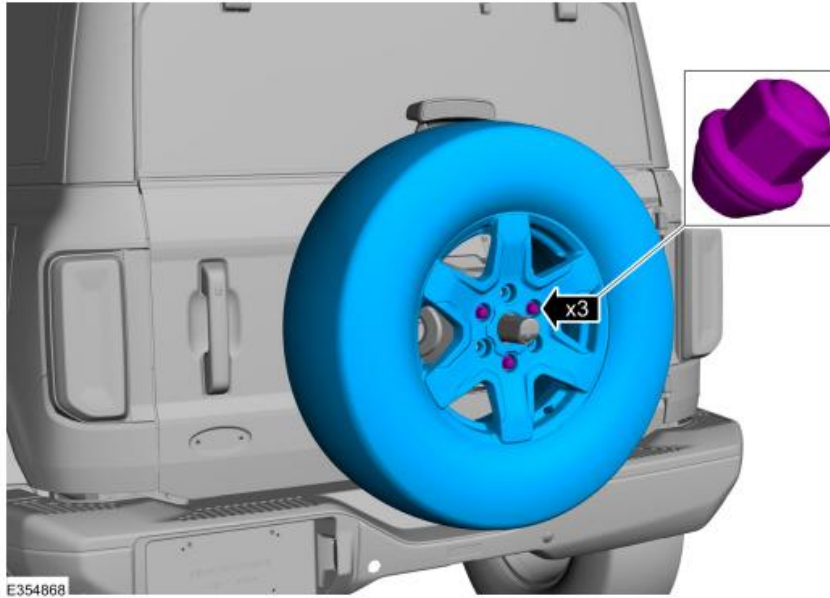
Ford Factory Shop Manual purchase options www.motorcraftservice.com

NO PART OF THIS DOCUMENT MAY BE REPRODUCED WITHOUT PRIOR AGREEMENT AND WRITTEN PERMISSION OF FORD PERFORMANCE PARTS © Ford Motor Company 2020

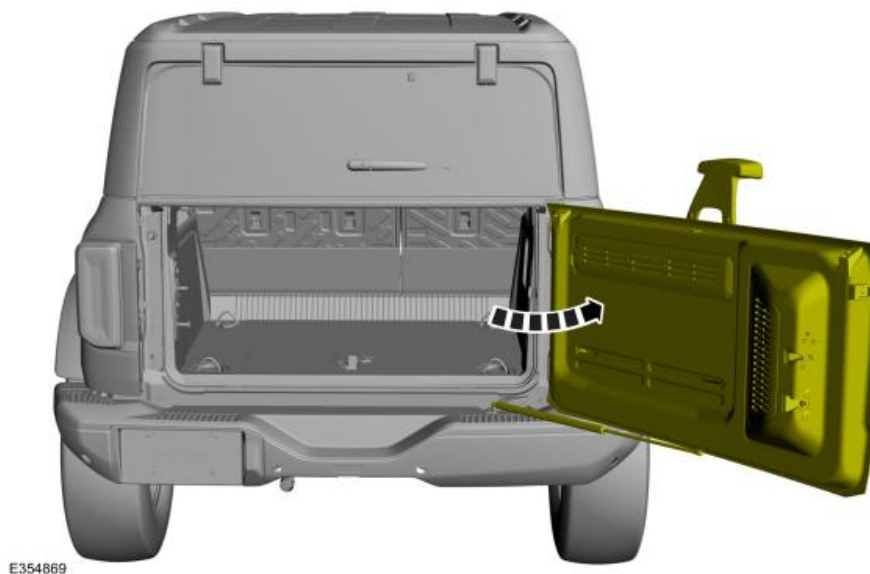
Removal – Swing Gate

NOTE: Removal steps in this procedure may contain installation details.

1. Remove the nuts and the spares wheel. *Torque: 41 lb.ft (55 Nm)*



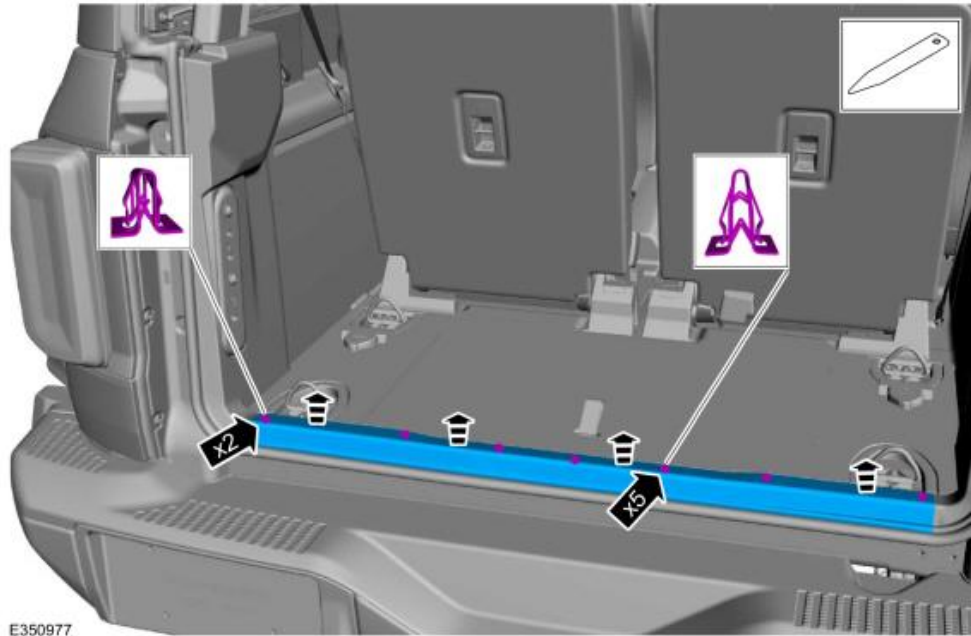
2. Open the tailgate.



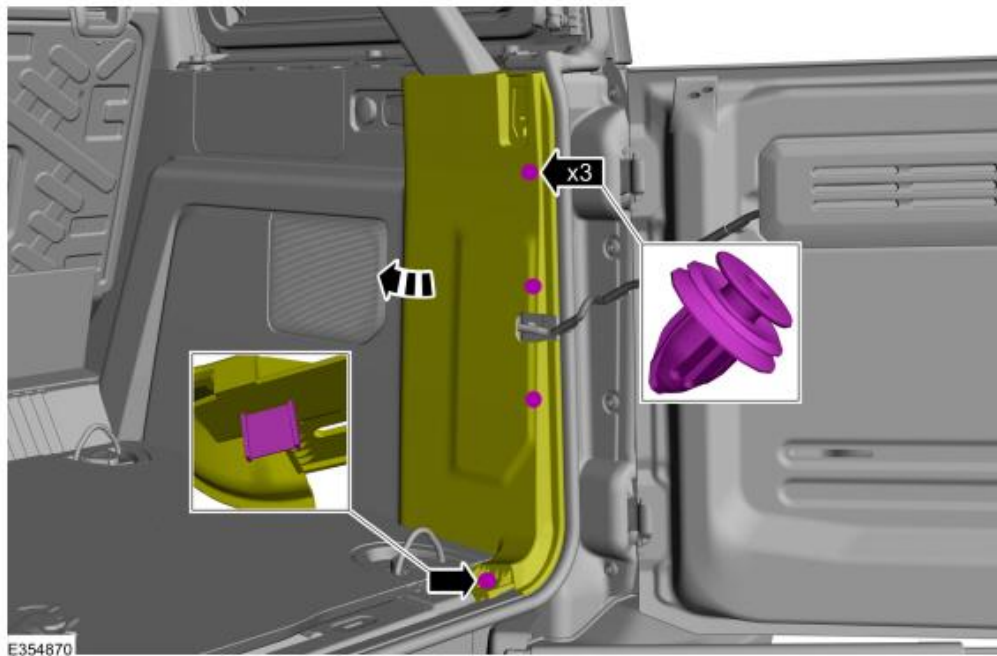
Ford Factory Shop Manual purchase options www.motorcraftservice.com

NO PART OF THIS DOCUMENT MAY BE REPRODUCED WITHOUT PRIOR AGREEMENT AND WRITTEN PERMISSION OF FORD PERFORMANCE PARTS © Ford Motor Company 2020

3. Release the clips and remove the loadspace scuff plate trim panel.



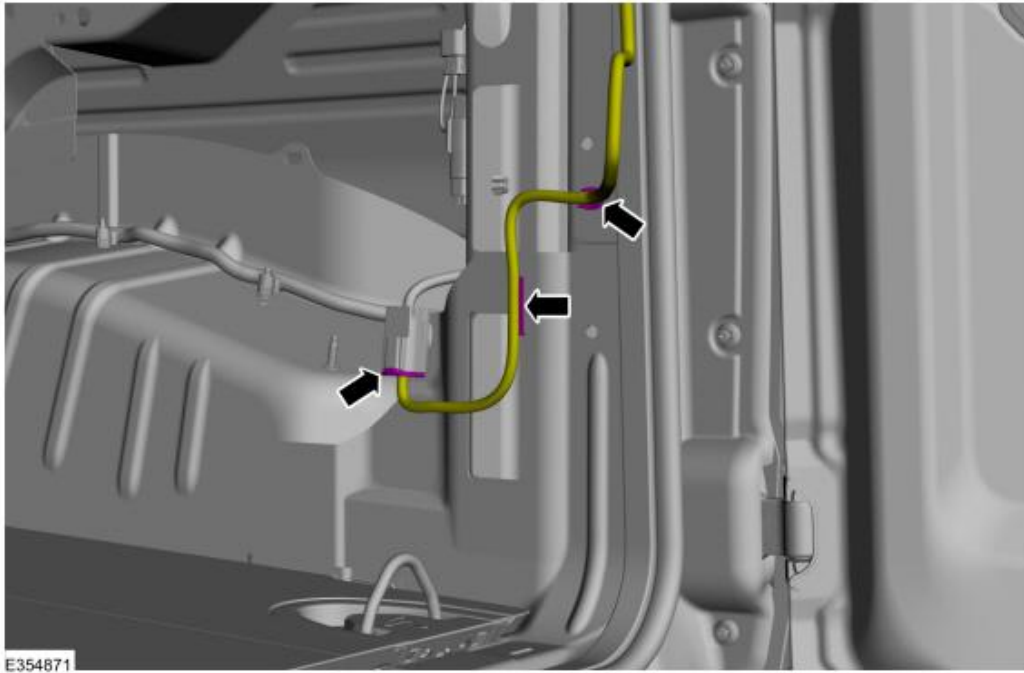
4. Pull the rear edge of the load space trim panel enough to detach the tailgate wiring harness electrical connector.



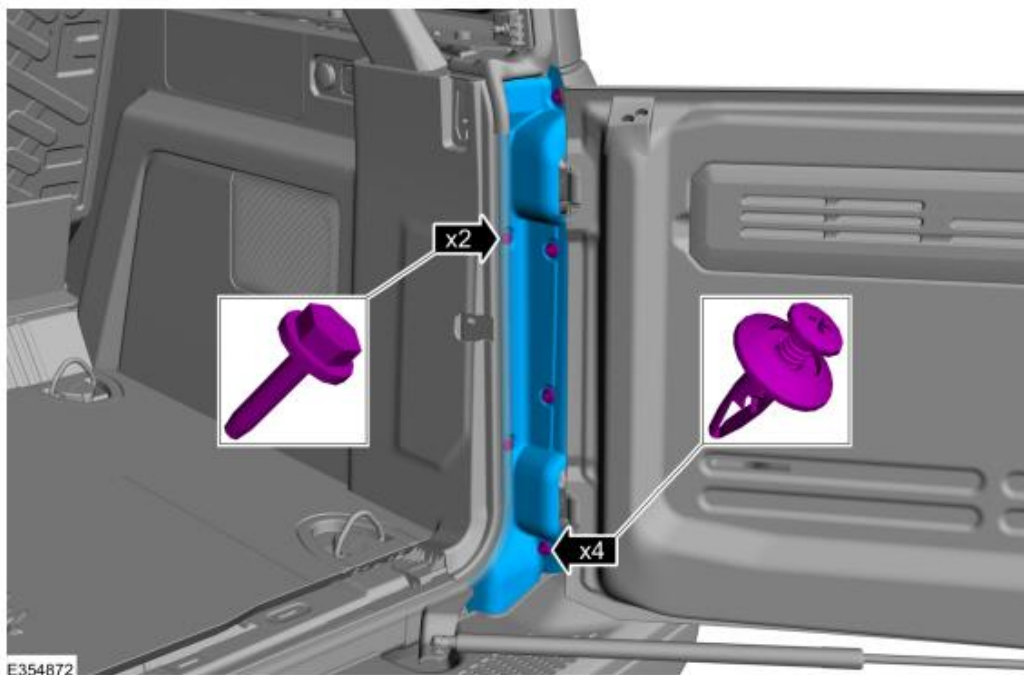
Ford Factory Shop Manual purchase options www.motorcraftservice.com

NO PART OF THIS DOCUMENT MAY BE REPRODUCED WITHOUT PRIOR AGREEMENT AND WRITTEN PERMISSION OF FORD PERFORMANCE PARTS © Ford Motor Company 2020

5. Disconnect the tailgate wiring harness electrical connector and detach the wiring retainers.



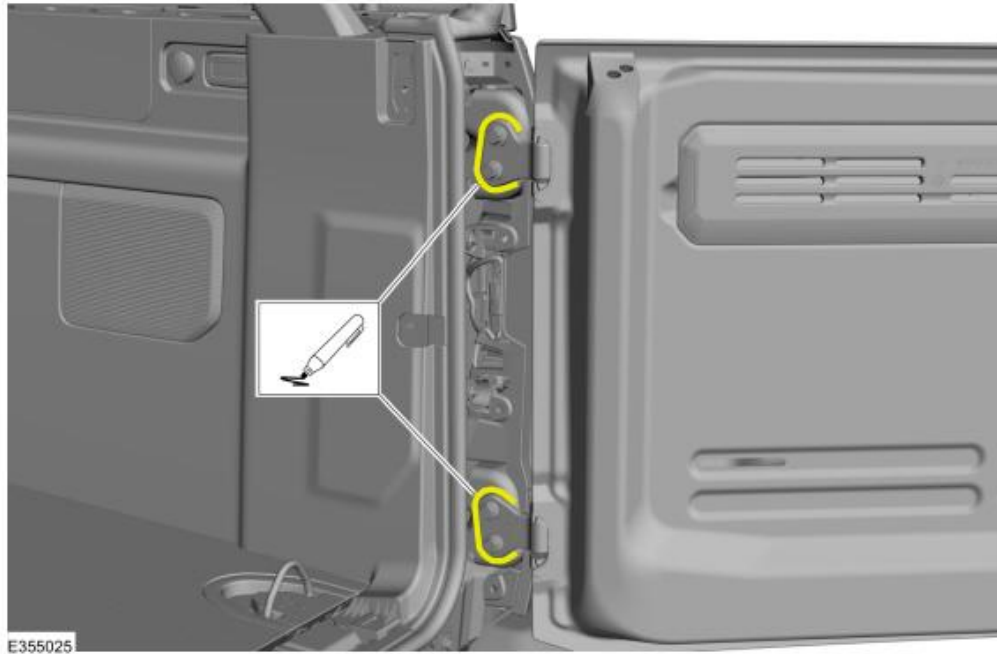
6. Remove the fasteners and the tailgate hinge cover.



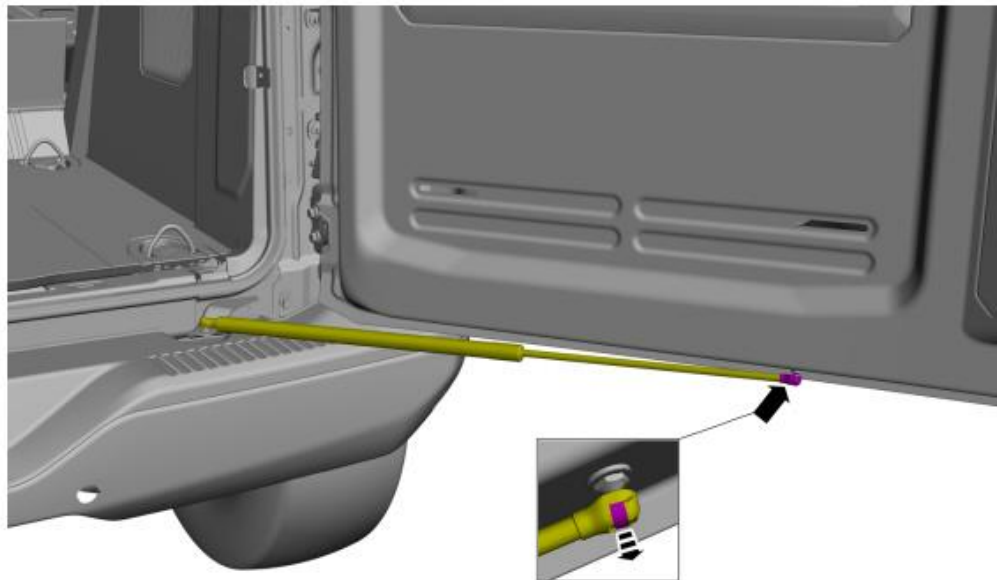
Ford Factory Shop Manual purchase options www.motorcraftservice.com

NO PART OF THIS DOCUMENT MAY BE REPRODUCED WITHOUT PRIOR AGREEMENT AND WRITTEN PERMISSION OF FORD PERFORMANCE PARTS © Ford Motor Company 2020

7. Mark the location of the tailgate hinge to aid in installation.



8. Remove the clip holding the tailgate strut and position aside.



Ford Factory Shop Manual purchase options www.motorcraftservice.com



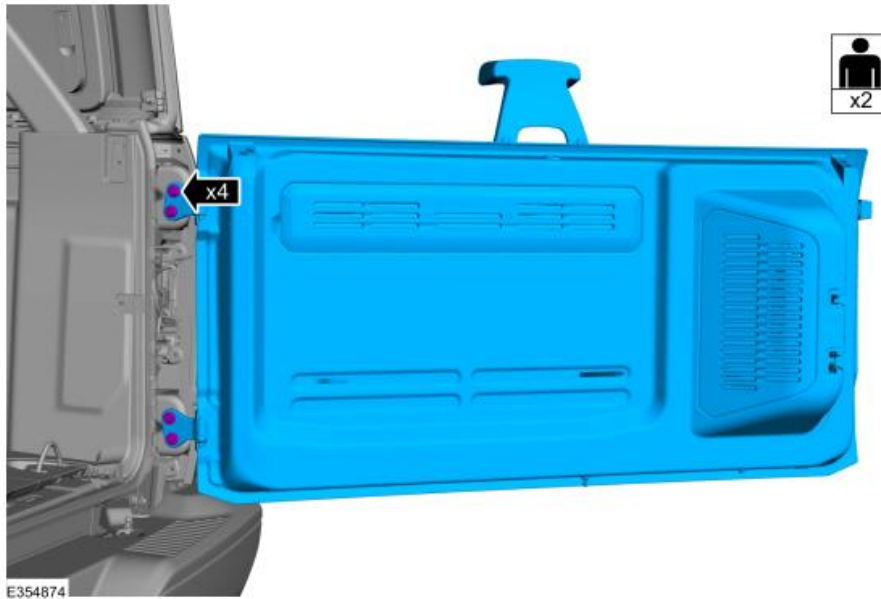
FORD PERFORMANCE

M-19007-BRS
2021+MY Bronco
Raptor Exoskeleton Kit

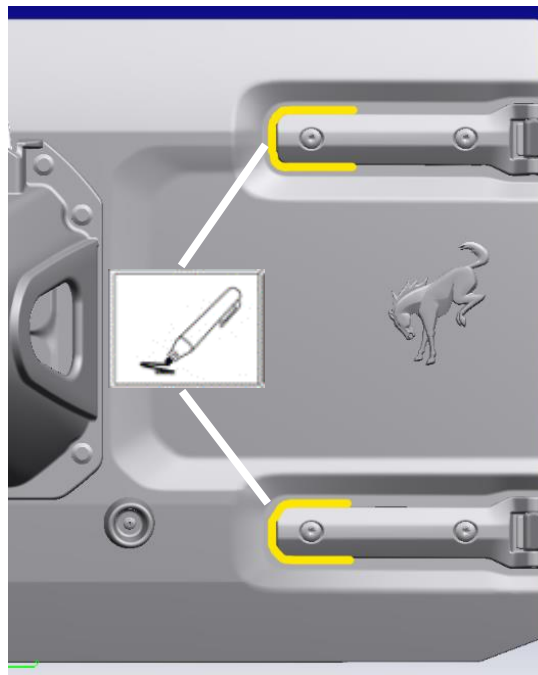
NO PART OF THIS DOCUMENT MAY BE REPRODUCED WITHOUT PRIOR AGREEMENT AND WRITTEN PERMISSION OF FORD PERFORMANCE PARTS © Ford Motor Company 2020

NOTE: This step requires the aid of another person.

9. Remove the bolts and the tailgate. Torque: 30 lb.ft (40 Nm)



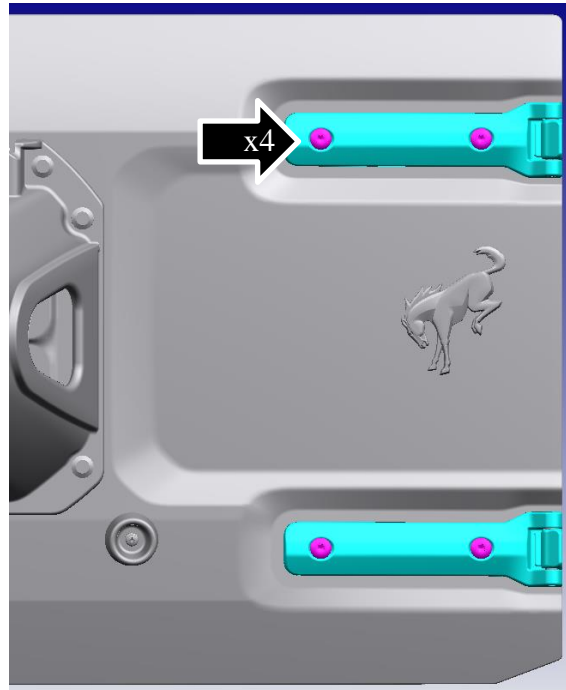
10. Mark the location of the tailgate hinge bracket to aid in installation.



Ford Factory Shop Manual purchase options www.motorcraftservice.com

NO PART OF THIS DOCUMENT MAY BE REPRODUCED WITHOUT PRIOR AGREEMENT AND WRITTEN PERMISSION OF FORD PERFORMANCE PARTS © Ford Motor Company 2020

11. Remove the bolts and hinge bracket.



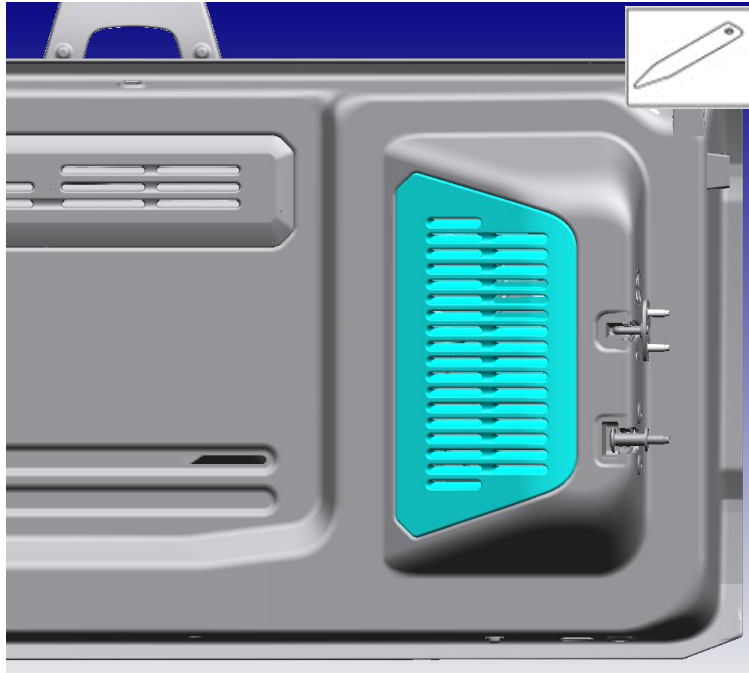
12. Remove the fasteners and rubber bumper spacers.



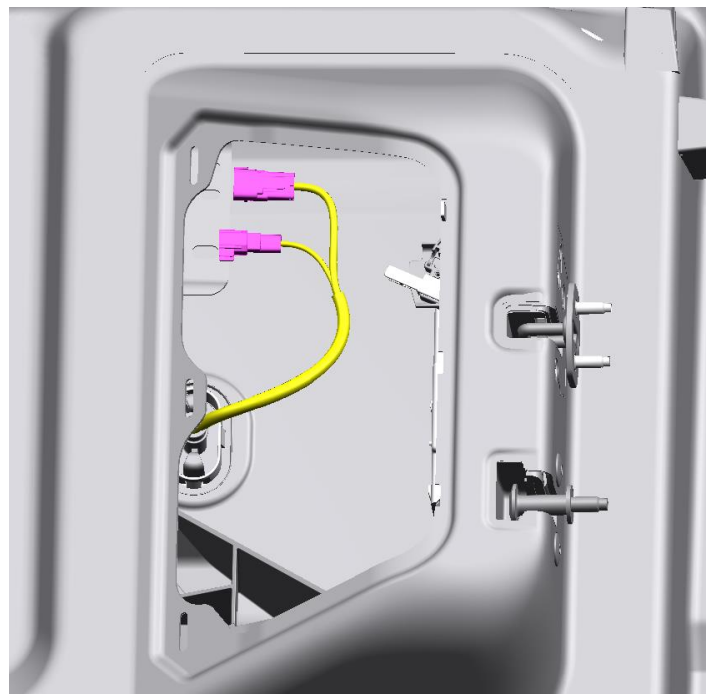
Ford Factory Shop Manual purchase options www.motorcraftservice.com

NO PART OF THIS DOCUMENT MAY BE REPRODUCED WITHOUT PRIOR AGREEMENT AND WRITTEN PERMISSION OF FORD PERFORMANCE PARTS © Ford Motor Company 2020

13. On the backside of the tailgate, remove the cover.



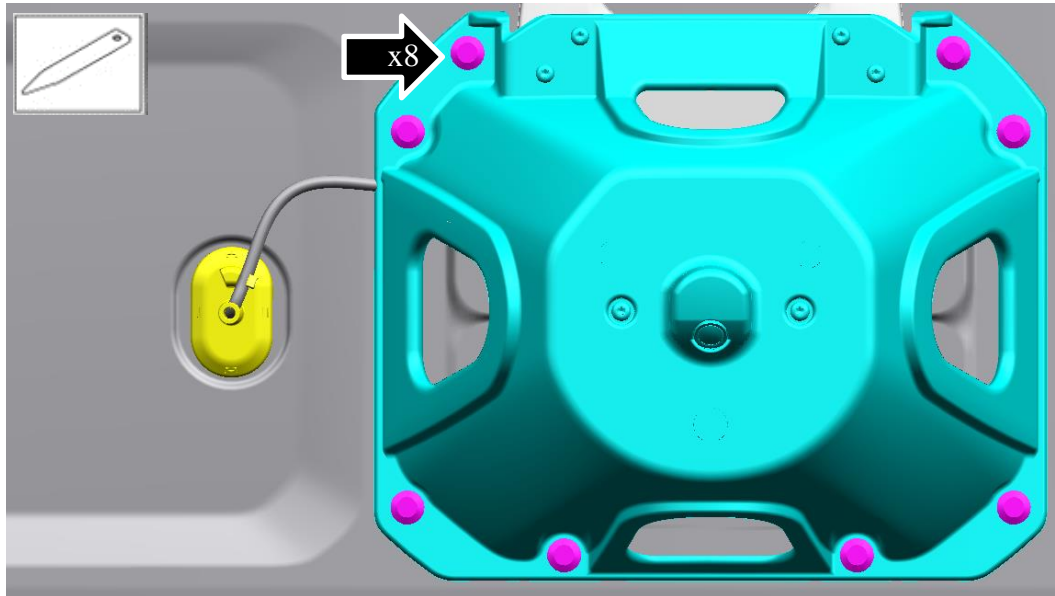
14. Disconnect the electrical connectors.



Ford Factory Shop Manual purchase options www.motorcraftservice.com

NO PART OF THIS DOCUMENT MAY BE REPRODUCED WITHOUT PRIOR AGREEMENT AND WRITTEN PERMISSION OF FORD PERFORMANCE PARTS © Ford Motor Company 2020

15. Remove the electrical cover then remove the bolts and spare tire carrier from the tailgate.
Torque: 22 lb.ft (30 Nm)



Removal – Tailgate Bronco Emblem

1. To remove the Bronco emblem, please reference: [Bronco Emblem](#)

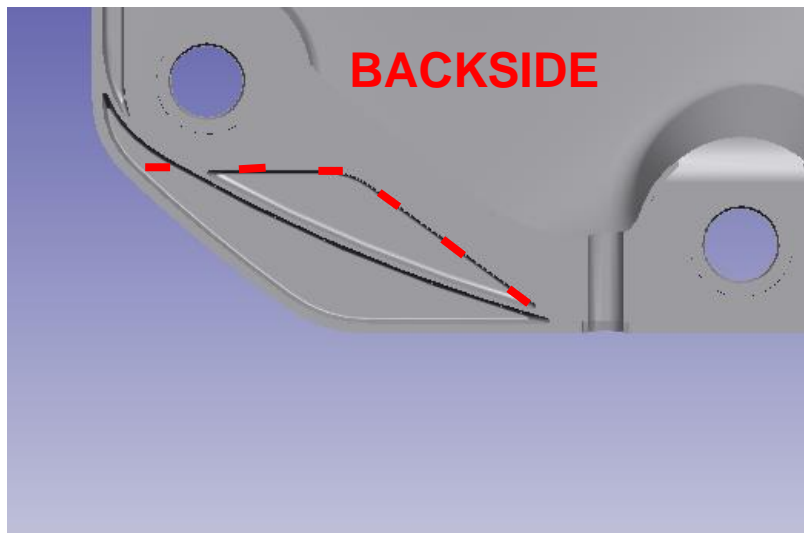
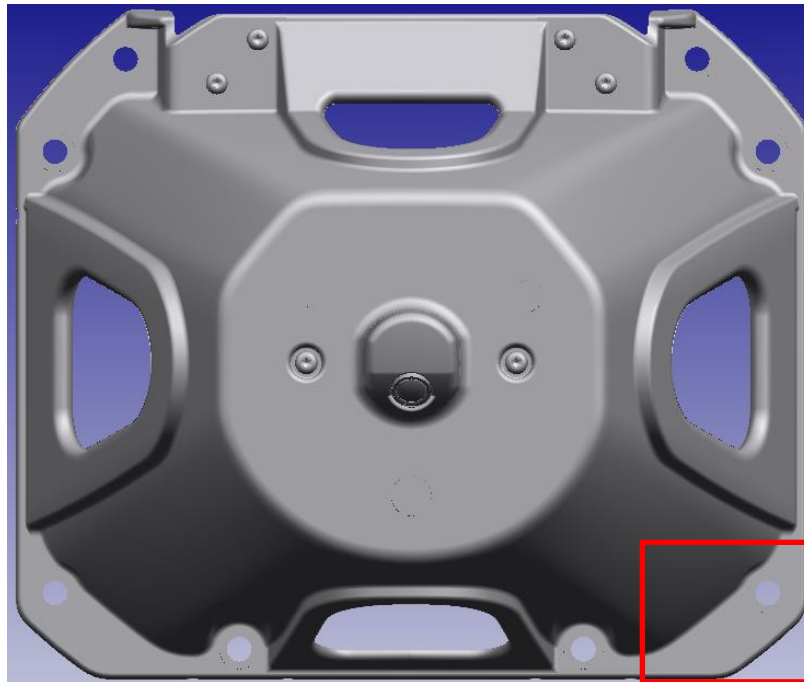
NOTE: *It is recommended to measure the height of where the emblem location is on the swing gate for installation of the new emblem after the exoskeleton is installed.*

NO PART OF THIS DOCUMENT MAY BE REPRODUCED WITHOUT PRIOR AGREEMENT AND WRITTEN PERMISSION OF FORD PERFORMANCE PARTS © Ford Motor Company 2020

Modifications – Spare Tire Carrier With Exoskeleton

1. On the backside of the spare tire carrier, use a Dremel tool to cut out a notch that follows the red line shown in the second image below.

NOTE: When looking at the spare tire carrier from the front, the bottom right corner will be modified.



Ford Factory Shop Manual purchase options www.motorcraftservice.com



M-19007-BRS
2021+MY Bronco
Raptor Exoskeleton Kit

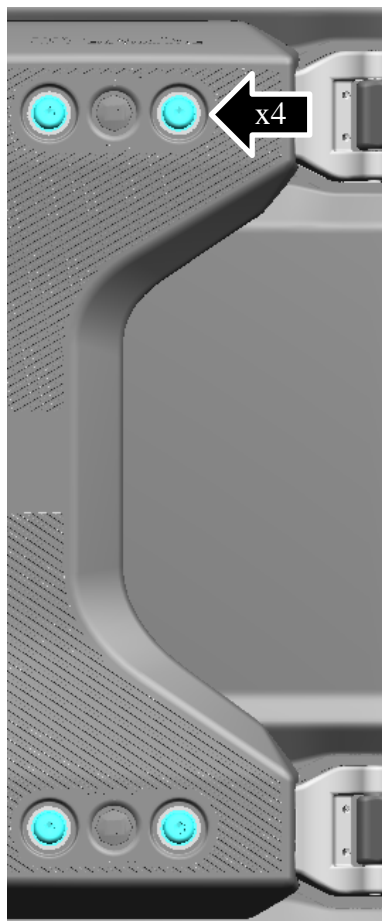
NO PART OF THIS DOCUMENT MAY BE REPRODUCED WITHOUT PRIOR AGREEMENT AND WRITTEN PERMISSION OF FORD PERFORMANCE PARTS © Ford Motor Company 2020

Installation

1. To install, reverse the removal procedure using the provided hinge brackets.

Installation – Exoskeleton

1. After installing the hinge brackets provided with the kit, use the M8 x 15 bolts to secure the exoskeleton to the hinges.
Torque: 20 lb.ft (27.5 Nm)



Installation – Bronco Emblem

1. Follow the instructions here: [Bronco Emblem](#).

NOTE: Move the emblem to the right by 1 inch so it does not interfere with the exoskeleton.

Ford Factory Shop Manual purchase options www.motorcraftservice.com