



**FORD PERFORMANCE**

M-19007-F15R  
2015-2020 F-150  
Chase Rack

NO PART OF THIS DOCUMENT MAY BE REPRODUCED WITHOUT PRIOR AGREEMENT AND WRITTEN PERMISSION OF  
FORD PERFORMANCE PARTS © Ford Motor Company 2020

**PRIOR TO INSTALLATION READ THESE INSTRUCTION COMPLETELY**  
**For questions, Call the FORD PERFORMANCE Techline 1-800-367-3788**

Please visit <https://www.performanceparts.ford.com> for warranty information

**Kit Includes:**

- |                                       |  |
|---------------------------------------|--|
| 10 - Button Head Bolts (3/8"-16 x 1") | 6 - Button Head Bolts (1/2"-13 x 1 1/2") |
| 10 - Nylon Lock Nuts (3/8"-16)        | 6 - Nylon Lock Nuts (1/2"-13)            |
| 10 - Flat Washers (3/8")              | 6 - Flat Washers (1/2")                  |
| 2 - Chase Rack Side Pieces            | 1 - Chase Rack Cross Member              |
| 2 - Chase Rack Mounting Backer Plate  | 2 - Chase Rack Light Tabs                |

**This installation requires 2 people for best results**

Ford Factory Shop Manual purchase options [www.motorcraftservice.com](http://www.motorcraftservice.com)



FORD PERFORMANCE

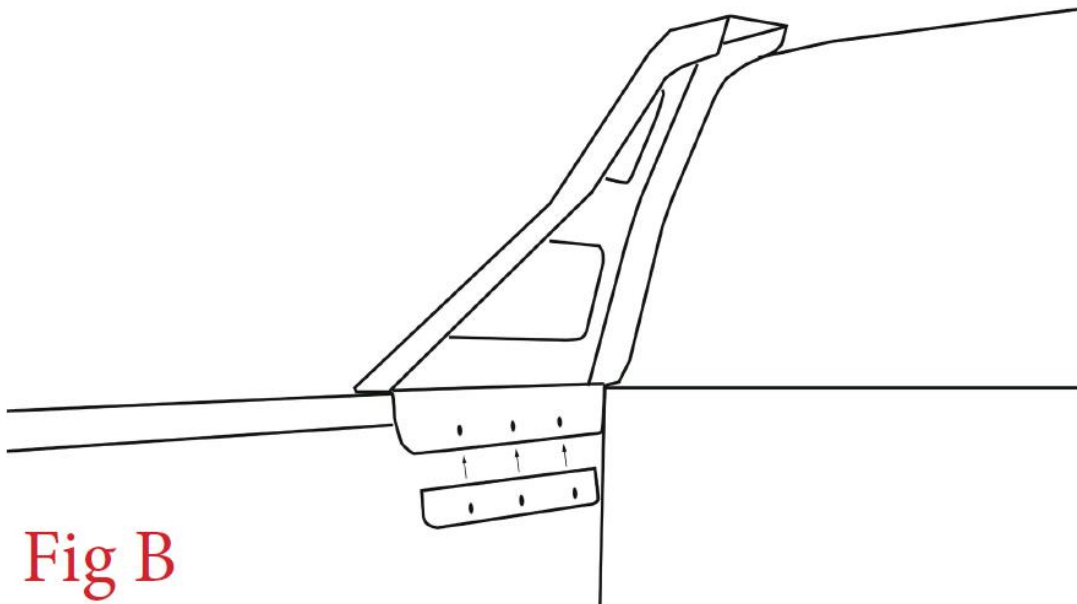
M-19007-F15R  
2015-2020 F-150  
Chase Rack

NO PART OF THIS DOCUMENT MAY BE REPRODUCED WITHOUT PRIOR AGREEMENT AND WRITTEN PERMISSION OF FORD PERFORMANCE PARTS © Ford Motor Company 2020

1. Park the vehicle on level ground and set the emergency brake
2. Disconnect the negative battery terminal
3. Set one of the Chase Rack Side Pieces in place on the vehicle. Make sure to line the tab on the bottom part of the side piece up with the hole in the truck bed. (Fig A)



4. Find the supplied backer plate. Set the backer plate behind the bed rail lip so that lip is sandwiched between the chase rack and the backer plate. Then, install the supplied 1/2" Bolts (x3), 1/2" Washers (x3), and 1/2" Lock Nuts (x3). Leave these bolts loose for now. (Fig B & Fig C)



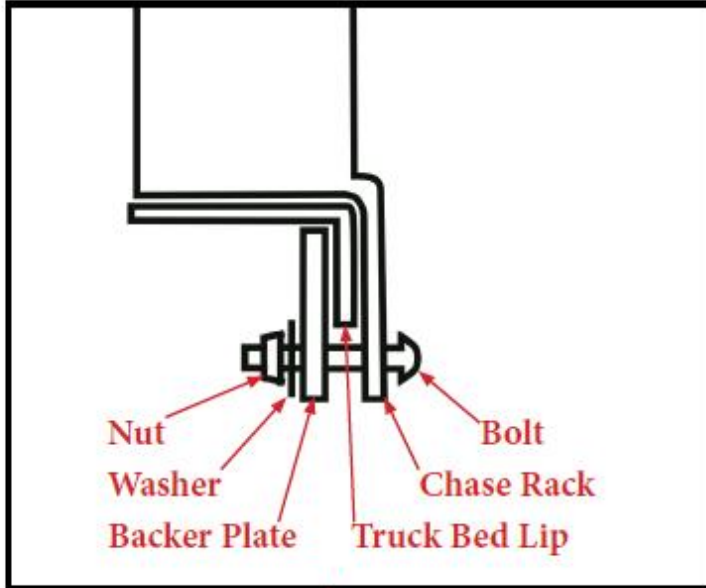
Ford Factory Shop Manual purchase options [www.motorcraftservice.com](http://www.motorcraftservice.com)



FORD PERFORMANCE

M-19007-F15R  
2015-2020 F-150  
Chase Rack

NO PART OF THIS DOCUMENT MAY BE REPRODUCED WITHOUT PRIOR AGREEMENT AND WRITTEN PERMISSION OF FORD PERFORMANCE PARTS © Ford Motor Company 2020



Ford Factory Shop Manual purchase options [www.motorcraftservice.com](http://www.motorcraftservice.com)



FORD PERFORMANCE

M-19007-F15R  
2015-2020 F-150  
Chase Rack

NO PART OF THIS DOCUMENT MAY BE REPRODUCED WITHOUT PRIOR AGREEMENT AND WRITTEN PERMISSION OF FORD PERFORMANCE PARTS © Ford Motor Company 2020

5. Repeat Steps 3 & 4 with the other Chase Rack Side Piece.
6. If you have a 50" light to mount, follow this step. Mount both Light Tabs to the light bar using the light manufacturer's mounting hardware as shown in (Fig D).



Fig D

7. Set the Chase Rack Cross Member in place. If you are installing a light bar on your rack, install it at the same time as the cross member, using the top three cross member holes as the mounting holes for the light tabs. If you are not installing a light bar on your rack, then install the cross member without the light bar tabs. Use the supplied 3/8" Bolts (5 per side), 3/8" Washers (5 per side), and 3/8" Lock Nuts (5 per side). Leave these bolts loose for now. (Fig E)



Fig E

Ford Factory Shop Manual purchase options [www.motorcraftservice.com](http://www.motorcraftservice.com)



**FORD PERFORMANCE**

M-19007-F15R  
2015-2020 F-150  
Chase Rack

NO PART OF THIS DOCUMENT MAY BE REPRODUCED WITHOUT PRIOR AGREEMENT AND WRITTEN PERMISSION OF  
FORD PERFORMANCE PARTS © Ford Motor Company 2020

8. Tighten the 1/2" Mounting Bolts to 57 foot pounds.
9. Tighten the 3/8" Mounting Bolts to 23 foot pounds.
10. Use the light manufacturer's installation instructions to wire your light (if applicable).
11. Check and re-tighten, if needed, all mounting bolts after 100 miles and periodically thereafter.

Ford Factory Shop Manual purchase options [www.motorcraftservice.com](http://www.motorcraftservice.com)