

NO PART OF THIS DOCUMENT MAY BE REPRODUCED WITHOUT PRIOR AGREEMENT AND WRITTEN PERMISSION OF FORD PERFORMANCE PARTS © Ford Motor Company 2020

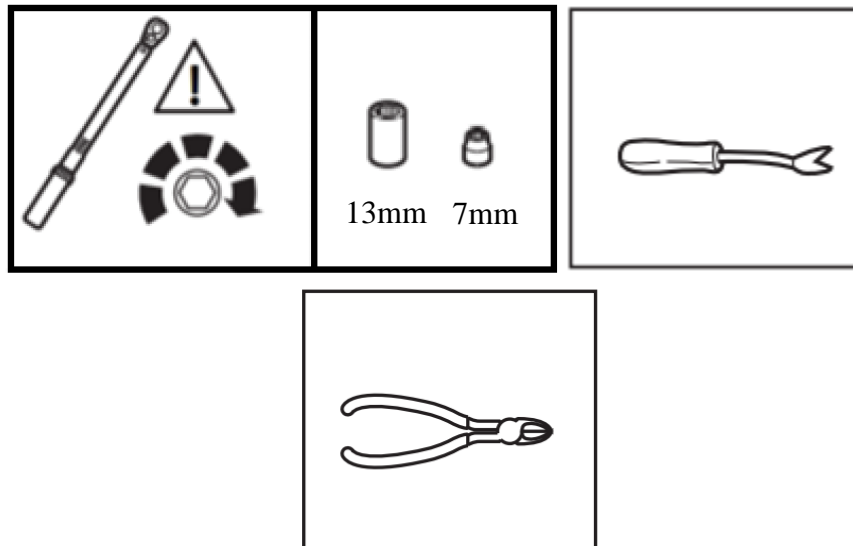
**PRIOR TO INSTALLATION READ THESE INSTRUCTION COMPETELY**  
 For questions, Call the FORD PERFORMANCE Techline 1-800-367-3788

Please visit <https://www.performanceparts.ford.com> for warranty information

## Kit contents:

Description	Quantity
Skid Plate	1
M10 x 25 Bolt	6
M10 x 25 Screw	2
M10 U-nut	6
Abrasion Sleeve	1
Tie Wrap	2

## Special Tool(s) / General Equipment:

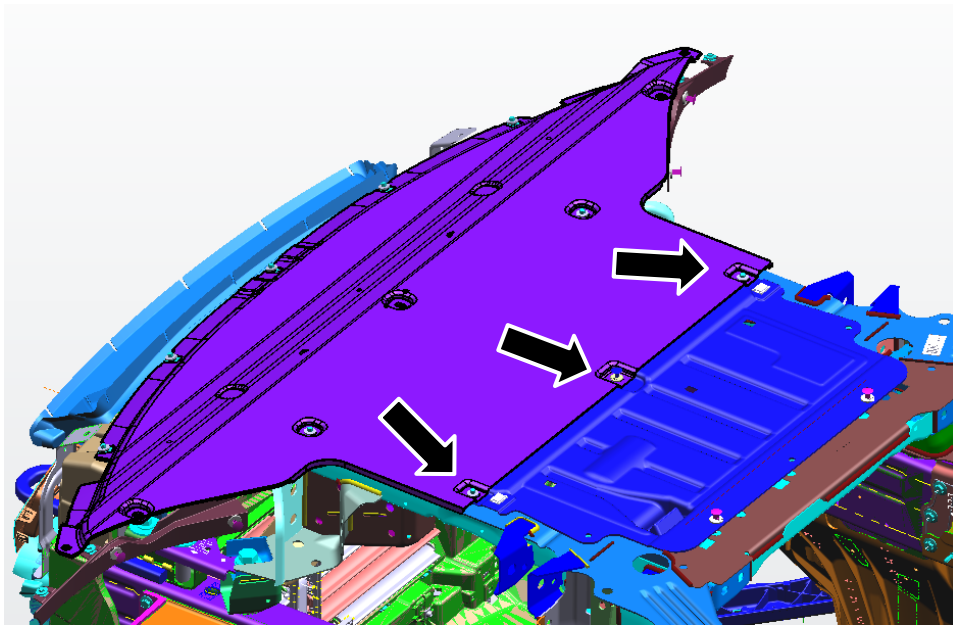


Ford Factory Shop Manual purchase options [www.motorcraftservice.com](http://www.motorcraftservice.com)

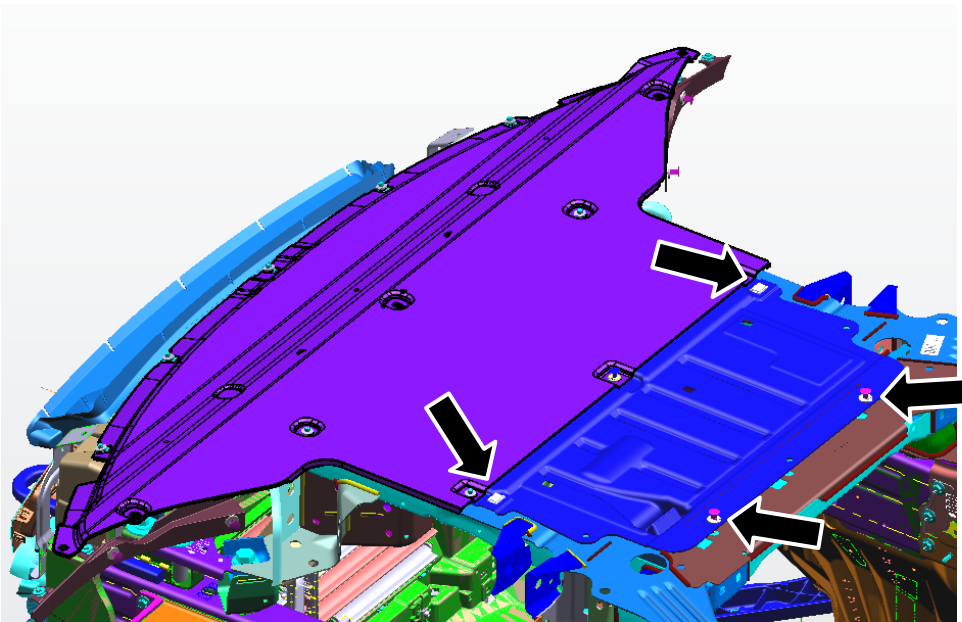
NO PART OF THIS DOCUMENT MAY BE REPRODUCED WITHOUT PRIOR AGREEMENT AND WRITTEN PERMISSION OF FORD PERFORMANCE PARTS © Ford Motor Company 2020

## REMOVAL

1. Remove and retain the (3) rear most fasteners of the engine front undershield.



2. Remove and discard the (2) retainers and the (2) push pin rivets



Ford Factory Shop Manual purchase options [www.motorcraftservice.com](http://www.motorcraftservice.com)

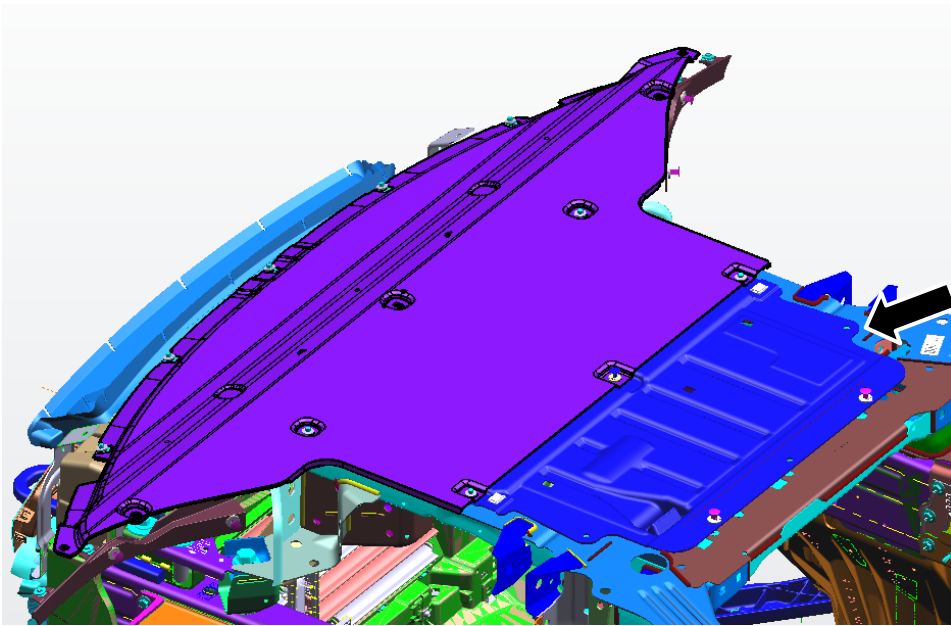


FORD PERFORMANCE

M-5018-EXP  
2020MY → Explorer  
Skid Plate Kit

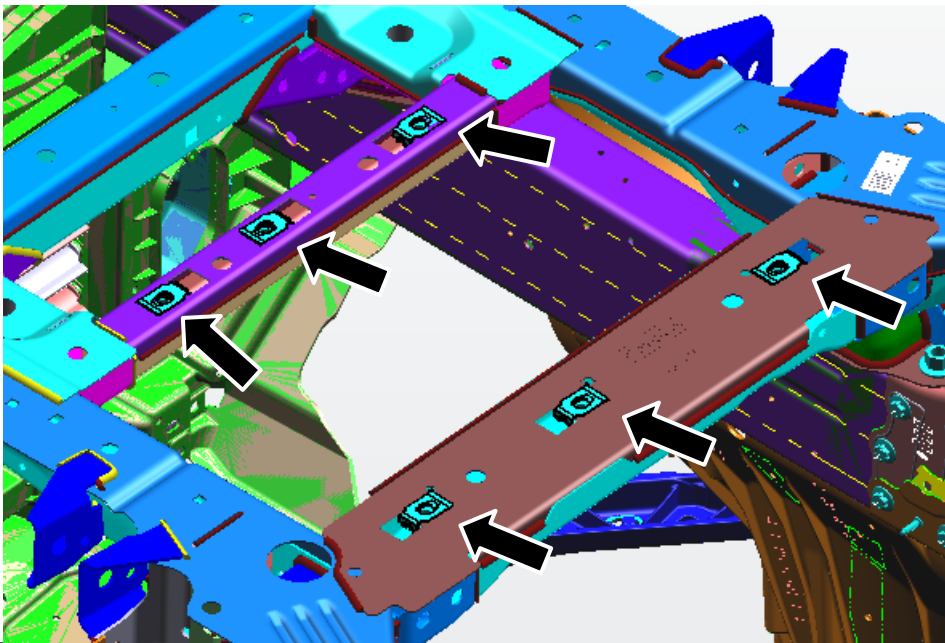
NO PART OF THIS DOCUMENT MAY BE REPRODUCED WITHOUT PRIOR AGREEMENT AND WRITTEN PERMISSION OF FORD PERFORMANCE PARTS © Ford Motor Company 2020

3. Remove and discard the rear engine undershield



INSTALLATION

4. Install the (6) U-nuts into the square holes of the 2<sup>nd</sup> and 3<sup>rd</sup> subframe towards the round holes as shown.



Ford Factory Shop Manual purchase options [www.motorcraftservice.com](http://www.motorcraftservice.com)

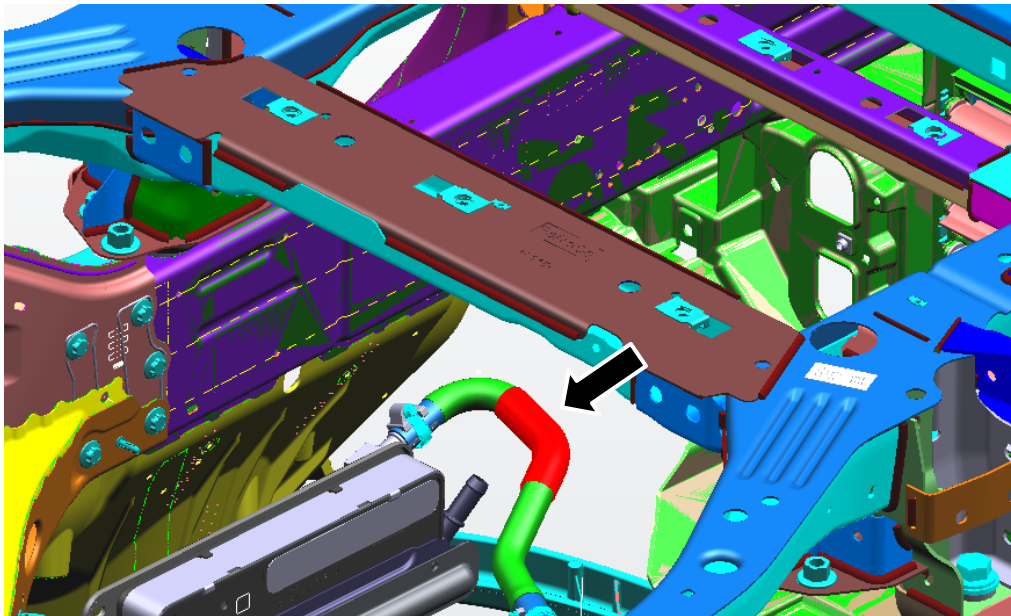


FORD PERFORMANCE

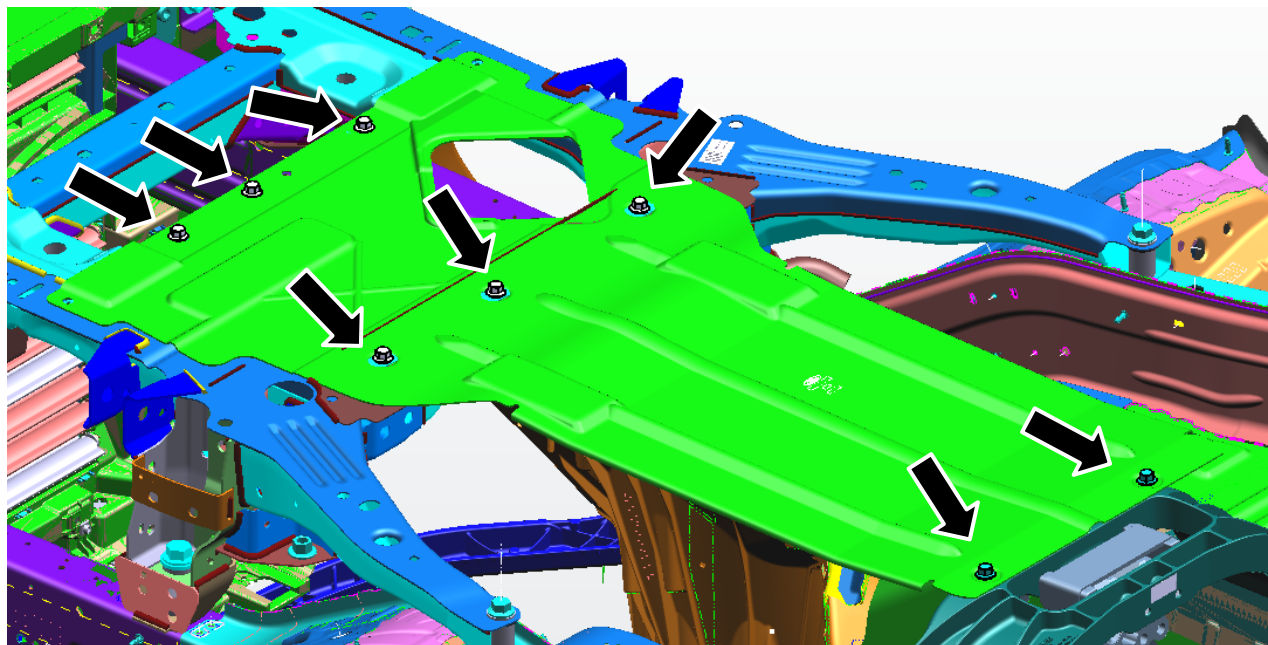
M-5018-EXP  
2020MY → Explorer  
Skid Plate Kit

NO PART OF THIS DOCUMENT MAY BE REPRODUCED WITHOUT PRIOR AGREEMENT AND WRITTEN PERMISSION OF FORD PERFORMANCE PARTS © Ford Motor Company 2020

5. If transmission oil coolant hose extends outward (will not be under skid plate) and does NOT have silver heat wrap then install abrasion sleeve around transmission oil coolant hose as shown. Secure with tie wrap on both ends. Do NOT overtighten tie wraps. Trim tie wraps using side cutter.



6. Install skid plate using (6) bolts and (2) screws as shown.  
Torque: 18 lb.ft (25 Nm)



Ford Factory Shop Manual purchase options [www.motorcraftservice.com](http://www.motorcraftservice.com)

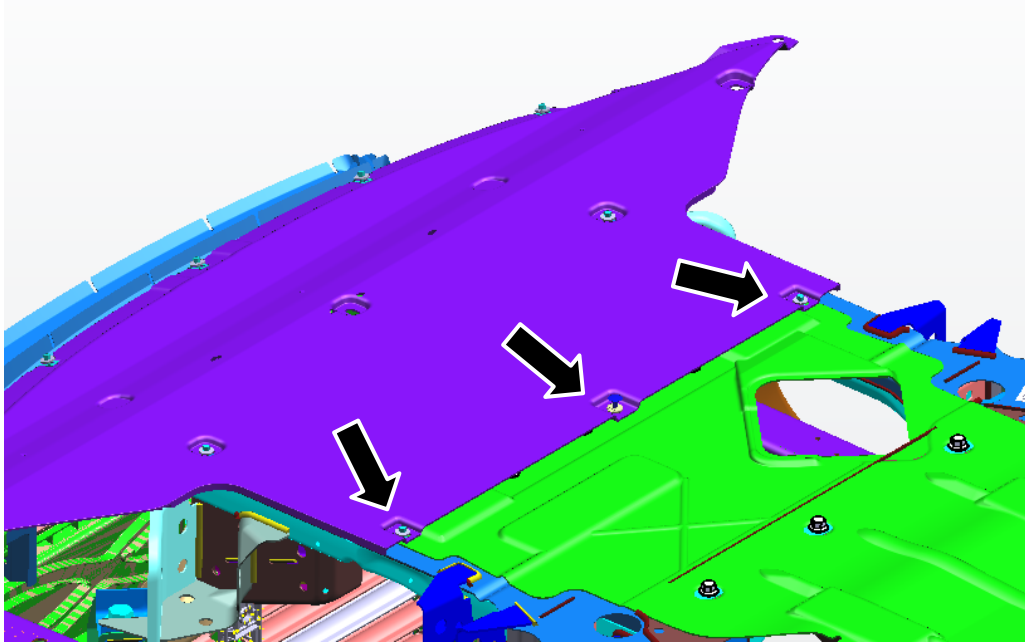


FORD PERFORMANCE

M-5018-EXP  
2020MY → Explorer  
Skid Plate Kit

NO PART OF THIS DOCUMENT MAY BE REPRODUCED WITHOUT PRIOR AGREEMENT AND WRITTEN PERMISSION OF  
FORD PERFORMANCE PARTS © Ford Motor Company 2020

7. Reinstall the (3) rear most fasteners of the engine front undershield.  
Torque: 1.8 lb. ft (2.5 Nm)



Ford Factory Shop Manual purchase options [www.motorcraftservice.com](http://www.motorcraftservice.com)