



FORD PERFORMANCE

M-5018-RA
2019-2021MY Ranger
FX4 Skid Plate

NO PART OF THIS DOCUMENT MAY BE REPRODUCED WITHOUT PRIOR AGREEMENT AND WRITTEN PERMISSION OF
FORD PERFORMANCE PARTS © Ford Motor Company 2020

PRIOR TO INSTALLATION READ THESE INSTRUCTION COMPETELY
For questions, Call the FORD PERFORMANCE Techline 1-800-367-3788

Please visit <https://www.performanceparts.ford.com> for warranty information



Ford Factory Shop Manual purchase options www.motorcraftservice.com



FORD PERFORMANCE

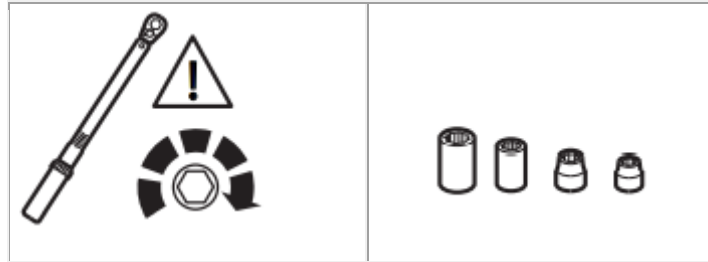
M-5018-RA
2019-2021MY Ranger
FX4 Skid Plate

NO PART OF THIS DOCUMENT MAY BE REPRODUCED WITHOUT PRIOR AGREEMENT AND WRITTEN PERMISSION OF FORD PERFORMANCE PARTS © Ford Motor Company 2020

Kit contents:

<u>Description</u>	<u>Quantity</u>
FX4 Skid Plate	1
Bolts	4

Special Tool(s) / General Equipment



Ford Factory Shop Manual purchase options www.motorcraftservice.com



FORD PERFORMANCE

M-5018-RA
2019-2021MY Ranger
FX4 Skid Plate

NO PART OF THIS DOCUMENT MAY BE REPRODUCED WITHOUT PRIOR AGREEMENT AND WRITTEN PERMISSION OF
FORD PERFORMANCE PARTS © Ford Motor Company 2020

Removal

NOTE: Removal steps in this procedure may contain installation details.

1. With the vehicle in NEUTRAL, position it on a hoist.

Stay in Neutral Mode

NOTE: Always put your vehicle in Stay in Neutral mode when entering an automatic car wash. Failure to do this could result in vehicle damage not covered by warranty.

Stay in Neutral mode allows your vehicle to stay in Neutral when you exit your vehicle. Your vehicle must be stationary to enter this mode.

To enter Stay in Neutral mode -

- Move the transmission selector to Neutral (N).
- A message will appear in your information display screen prompting you to press the Manual (M) button.
- Press the Manual (M) button again to enter Stay in Neutral mode.
- A message will appear in your information display screen when your vehicle has entered Stay in Neutral mode.
- To exit Stay in Neutral mode, apply the brake and select a different gear.

Front Frame Jacking Points

⚠ WARNING: When jacking or lifting the vehicle, block all wheels remaining on the ground. Set the parking brake if the rear wheels will remain on the ground. These actions help prevent unintended vehicle movement. Failure to follow these instructions may result in serious personal injury.

⚠ WARNING: Never get underneath a vehicle that is supported only by a jack. The jack could unintentionally lower. Always support vehicle with floor stands. Failure to follow these instructions may result in serious personal injury.

⚠ WARNING: Only raise the vehicle when positioned on a hard, level surface. Attempting to raise the vehicle on an uneven or soft surface may result in vehicle slipping or falling from the jack or jackstand. Failure to follow this instruction may result in serious personal injury.

⚠ WARNING: Turn off (disable) the power running boards (if equipped) before jacking, lifting or placing any object under the vehicle. Never place your hand between the power running board and the vehicle. Extended power running boards will retract when doors are closed. Failure to follow these instructions may result in serious personal injury.

⚠ WARNING: Front jacking point could be identified by an arrow marking on the vehicle frame. Raising a vehicle in any other location may result in vehicle shifting or falling. Failure to follow this instruction may result in serious personal injury.

Ford Factory Shop Manual purchase options www.motorcraftservice.com

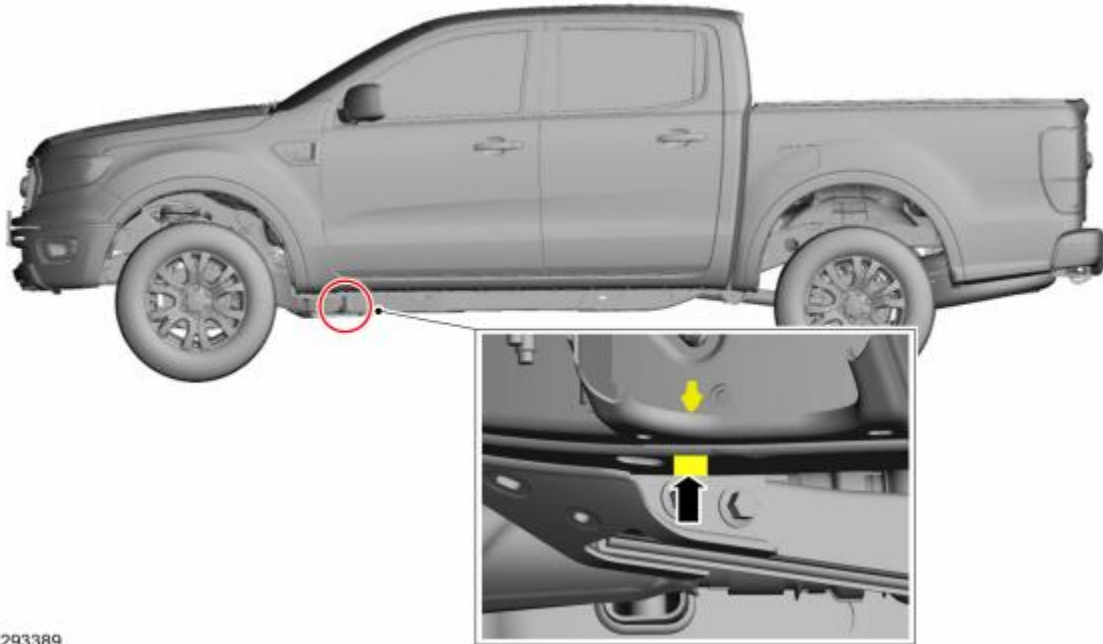


FORD PERFORMANCE

M-5018-RA
2019-2021MY Ranger
FX4 Skid Plate

NO PART OF THIS DOCUMENT MAY BE REPRODUCED WITHOUT PRIOR AGREEMENT AND WRITTEN PERMISSION OF FORD PERFORMANCE PARTS © Ford Motor Company 2020

NOTE: SuperCrew Cab 2WD shown, others similar.



E293389

NOTE: LH side shown, RH side similar.

Only the specified jacking points may be used for jacking and supporting the vehicle.

Ford Factory Shop manual purchase options www.motorcraftservice.com

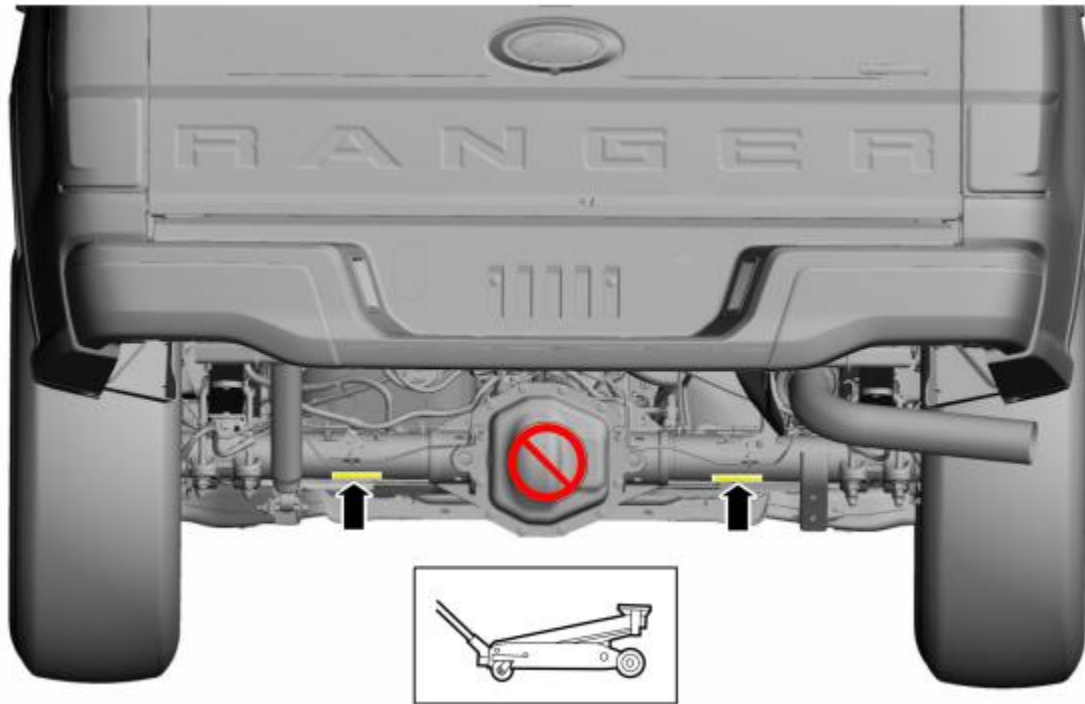


FORD PERFORMANCE

M-5018-RA
2019-2021MY Ranger
FX4 Skid Plate

NO PART OF THIS DOCUMENT MAY BE REPRODUCED WITHOUT PRIOR AGREEMENT AND WRITTEN PERMISSION OF FORD PERFORMANCE PARTS © Ford Motor Company 2020

Jacking Points – Rear



E293390

NOTICE: Do not use the differential housing as a lift point. Leaks or damage to the rear axle cover and adjoining differential housing surface may occur if a floor jack or any lifting device is allowed to contact the cover at any point where the cover joins the housing.

Only the specified jacking points may be used for jacking and supporting the vehicle.

The rear jacking points are located on the rear axle.

Ford Factory Shop Manual purchase options www.motorcraftservice.com

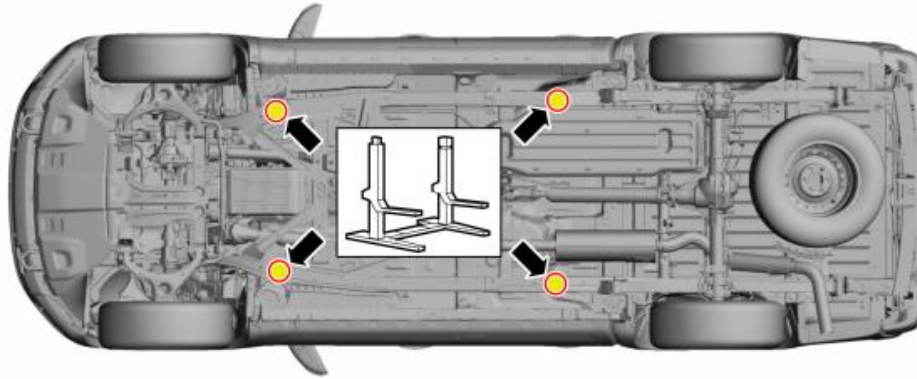


FORD PERFORMANCE

M-5018-RA
2019-2021MY Ranger
FX4 Skid Plate

NO PART OF THIS DOCUMENT MAY BE REPRODUCED WITHOUT PRIOR AGREEMENT AND WRITTEN PERMISSION OF FORD PERFORMANCE PARTS © Ford Motor Company 2020

Lifting Points – Front and Rear



NOTE: 4WD shown, RWD similar.

WARNING: Position the hoist lift arms as shown in the illustration. Incorrect positioning could result in vehicle slipping or falling from the hoist. Failure to follow this instruction may result in serious personal injury.

Only the specified jacking points may be used for jacking and supporting the vehicle.

NOTICE: The jack provided with the vehicle is intended to be used in an emergency for changing a deflated tire. To avoid damage to the vehicle, never use the jack to hoist the vehicle for any other purpose.

NOTICE: Do not attempt to use jack pressure on either the front bumper or the rear bumper on any vehicle. Damage to bumper covers will occur.

NOTICE: Place blocks underneath the lifting points if a two-column hoist is used.

NOTICE: Damage to the suspension, exhaust or steering linkage components may occur if care is not exercised when positioning the hoist adapters prior to lifting the vehicle.

NOTICE: To prevent possible damage to the underbody, do not drive the vehicle onto the drive-on lift without first checking for possible interference.

NOTICE: When raising a vehicle on a two-column hoist, use care when positioning the vehicle so that the hoisting forks do not interfere with suspension components, mounting brackets or stabilizer mounting brackets, if equipped. In addition, use care in hoist positioning to avoid possible damage to the axle or rear cover.

Ford Factory Shop Manual purchase options www.motorcraftservice.com



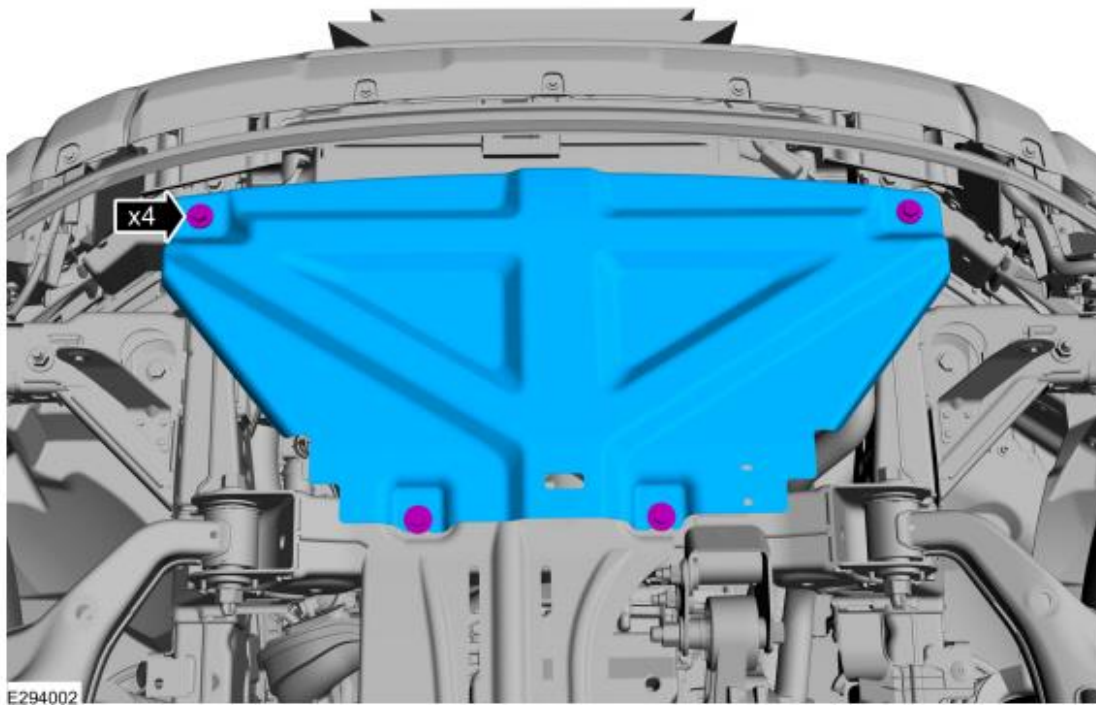
FORD PERFORMANCE

M-5018-RA
2019-2021MY Ranger
FX4 Skid Plate

NO PART OF THIS DOCUMENT MAY BE REPRODUCED WITHOUT PRIOR AGREEMENT AND WRITTEN PERMISSION OF FORD PERFORMANCE PARTS © Ford Motor Company 2020

2. **NOTE:** *Vehicles come with an undershield or a skid plate.*

Remove the bolts and the engine front undershield.
Torque: 22 lb.ft (30 Nm)

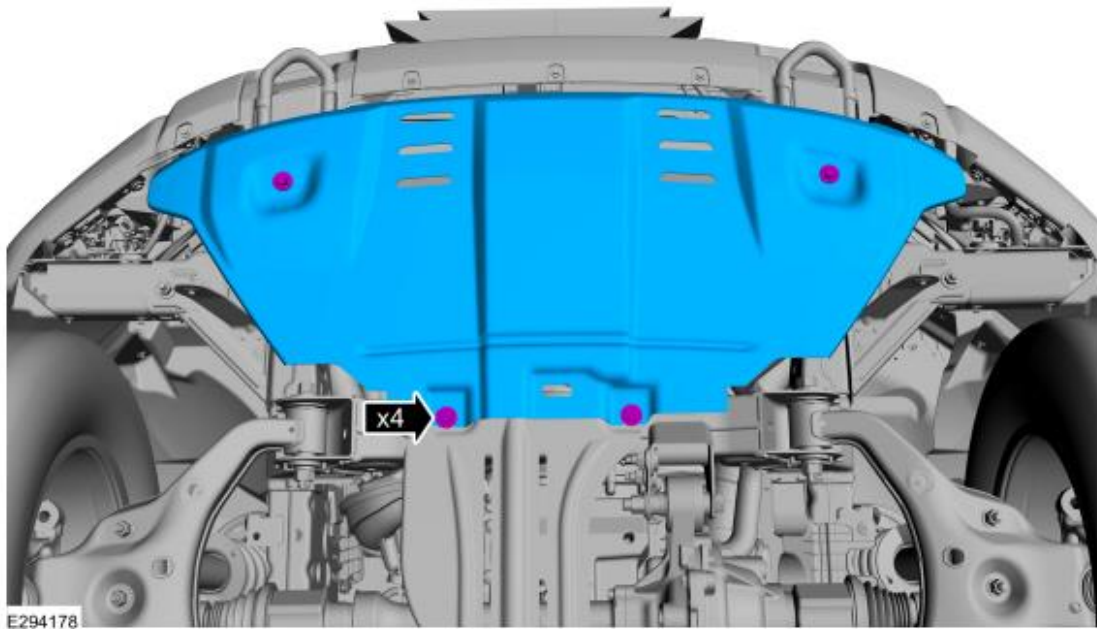


Ford Factory Shop Manual purchase options www.motorcraftservice.com

NO PART OF THIS DOCUMENT MAY BE REPRODUCED WITHOUT PRIOR AGREEMENT AND WRITTEN PERMISSION OF FORD PERFORMANCE PARTS © Ford Motor Company 2020

3. **NOTE:** *Vehicles come with an undershield or a skid plate.*

Remove the bolts and the skid plate.
Torque: 22 lb.ft (30 Nm)



Installation

1. To install, reverse the removal procedure.