



FORD PERFORMANCE

M-5200-M2EB/EC/EBV/ECV/SB/SC/SBV/SCV/TBV/TCV
Model 2024+
Mustang 2.3L catback exhaust

NO PART OF THIS DOCUMENT MAY BE REPRODUCED WITHOUT PRIOR AGREEMENT AND WRITTEN PERMISSION OF
FORD PERFORMANCE PARTS © Ford Motor Company 2020

PRIOR TO INSTALLATION READ THESE INSTRUCTION COMPETELY
For questions, Call the FORD PERFORMANCE Techline 1-800-367-3788

Please visit <https://www.performanceparts.ford.com> for warranty information

OVERVIEW:

The use of a floor hoist is recommended for this installation. If you do not have access to one, use a hydraulic floor jack and jack stands to raise the vehicle.

!! CAUTION: JACK STANDS MUST BE USED ON A LEVEL SURFACE AND BE SECURELY SEATED. FAILURE TO DO SO MAY RESULT IN PERSONAL INJURY OR VEHICLE DAMAGE !!

KIT INCLUDES:

<u>Description</u>	<u>Qty:</u>
Rear Muffler	2
Front muffler or X-pipe	1
Clamp	4
Left Hand Intermediate Pipe	1
Right Hand Intermediate Pipe	1

Factory Ford shop manuals are available from Helm Publications, 1-800-782-4356



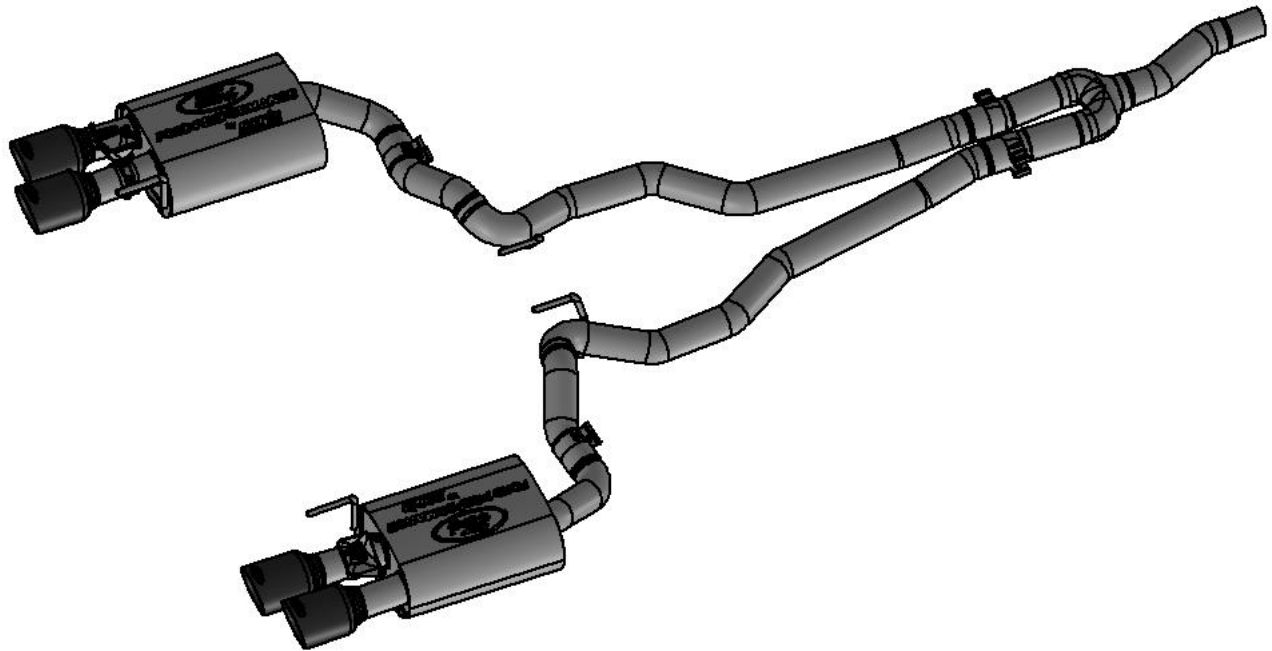
FORD PERFORMANCE

M-5200-M2EB/EC/EBV/ECV/SB/SC/SBV/SCV/TBV/TCV

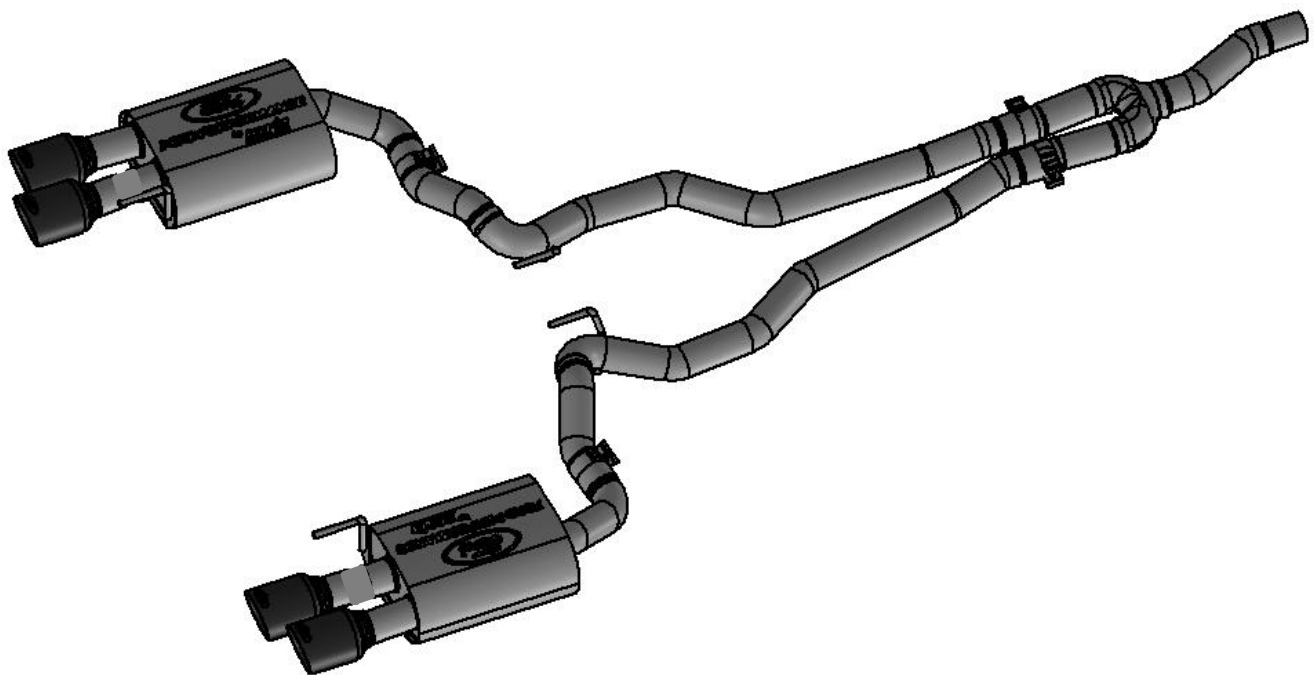
Model 2024+

Mustang 2.3L catback exhaust

Representative image for M-5200-M2EB_SB. M-5200-M2EC_SC are chrome tip versions.



Representative image for M-5200-M2EBV_SBV_TBV. M-5200-M2ECV_SCV_TCV are chrome tip versions.



Factory Ford shop manuals are available from Helm Publications, 1-800-782-4356



FORD PERFORMANCE

M-5200-M2EB/EC/EBV/ECV/SB/SC/SBV/SCV/TBV/TCV

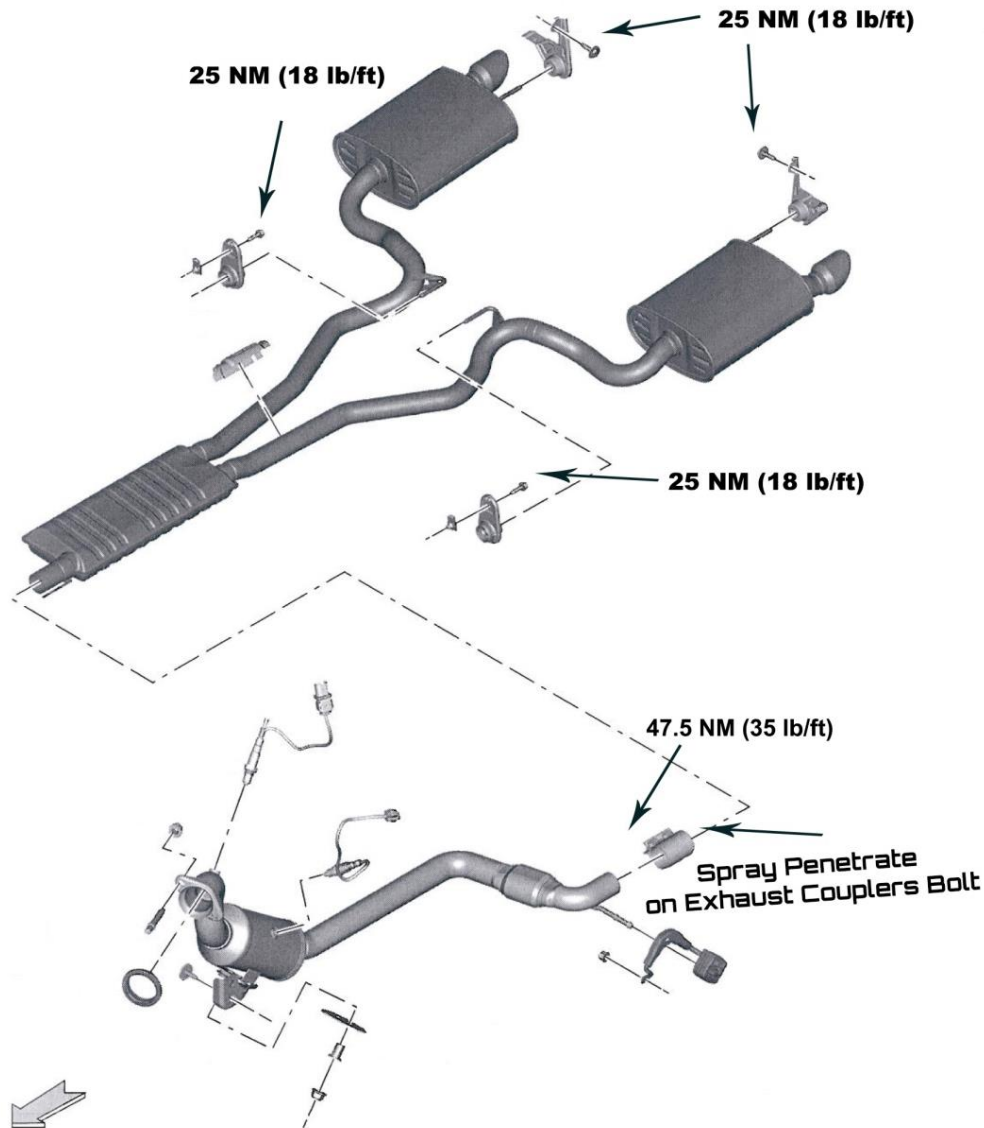
Model 2024+

Mustang 2.3L catback exhaust

REMOVAL INSTRUCTIONS:

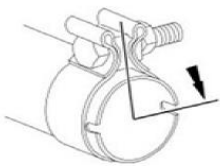
STEP 1: Raise and support vehicle.

STEP 2: Spray penetrate on exhaust coupler bolts. Loosen all Exhaust coupler bolts.



To tighten the exhaust clamp.

- The exhaust clamp should be installed to within a 1/16" of the edge of the expanded and notched pipe.
- The Bolt section should not be over either of the notches. Perpendicular to the notches is preferred.
- Tighten to 48 Nm (35 lb./Ft.)



Factory Ford shop manuals are available from Helm Publications, 1-800-782-4356



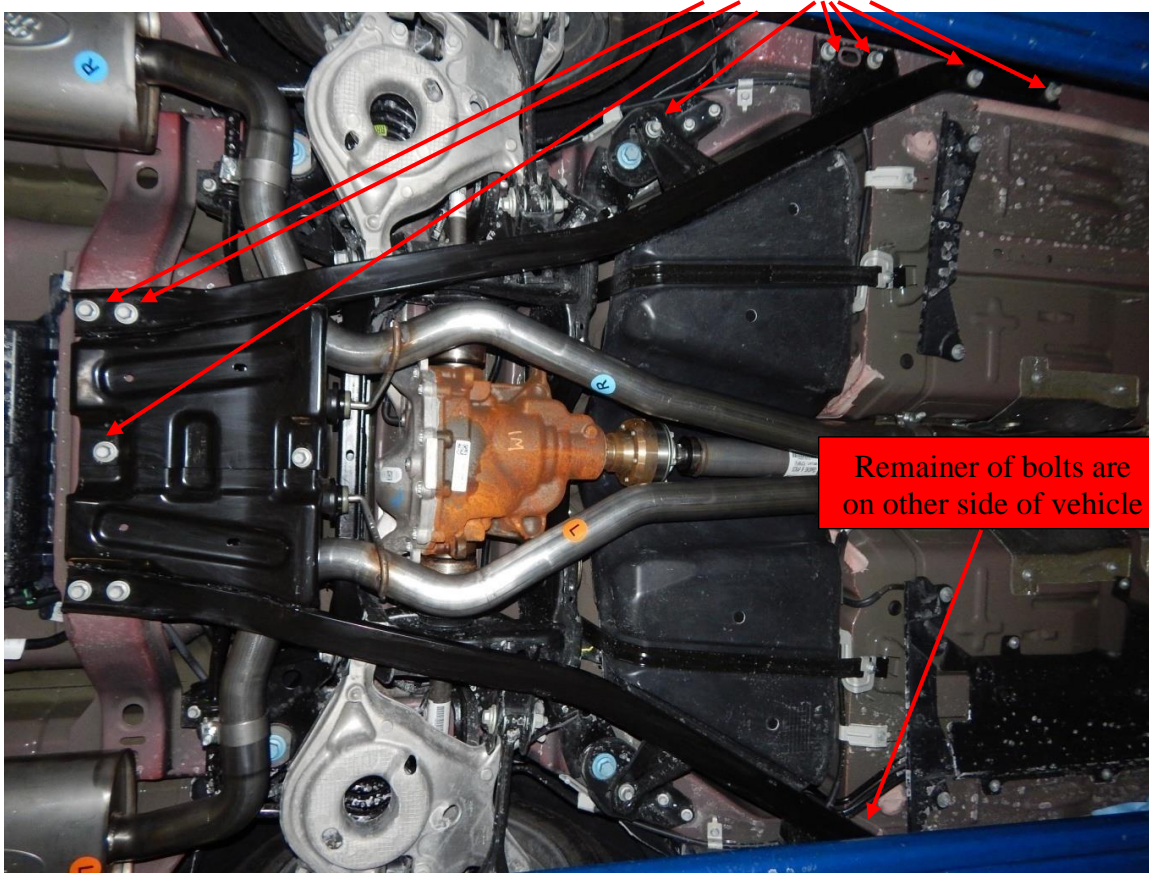
FORD PERFORMANCE

M-5200-M2EB/EC/EBV/ECV/SB/SC/SBV/SCV/TBV/TCV

Model 2024+

Mustang 2.3L catback exhaust

If vehicle is a convertible, remove the extra bracing by removing 15 bolts using a 15mm socket.



STEP 3: If the system has valves, disconnect the valves at the rear mufflers (LH and RH). Pull the pin holding the connector in, slide it out of the valve actuator assy.



Factory Ford shop manuals are available from Helm Publications, 1-800-782-4356



FORD PERFORMANCE

M-5200-M2EB/EC/EBV/ECV/SB/SC/SBV/SCV/TBV/TCV

Model 2024+

Mustang 2.3L catback exhaust

STEP 4: Using a 15mm socket loosen nuts on the clamp at the front of the Factory system.



STEP 5: Using a 13mm socket to remove bolts from exhaust hangers in rear Sub frame near the rear axle, LH and RH sides.



Factory Ford shop manuals are available from Helm Publications, 1-800-782-4356



FORD PERFORMANCE

M-5200-M2EB/EC/EBV/ECV/SB/SC/SBV/SCV/TBV/TCV

Model 2024+

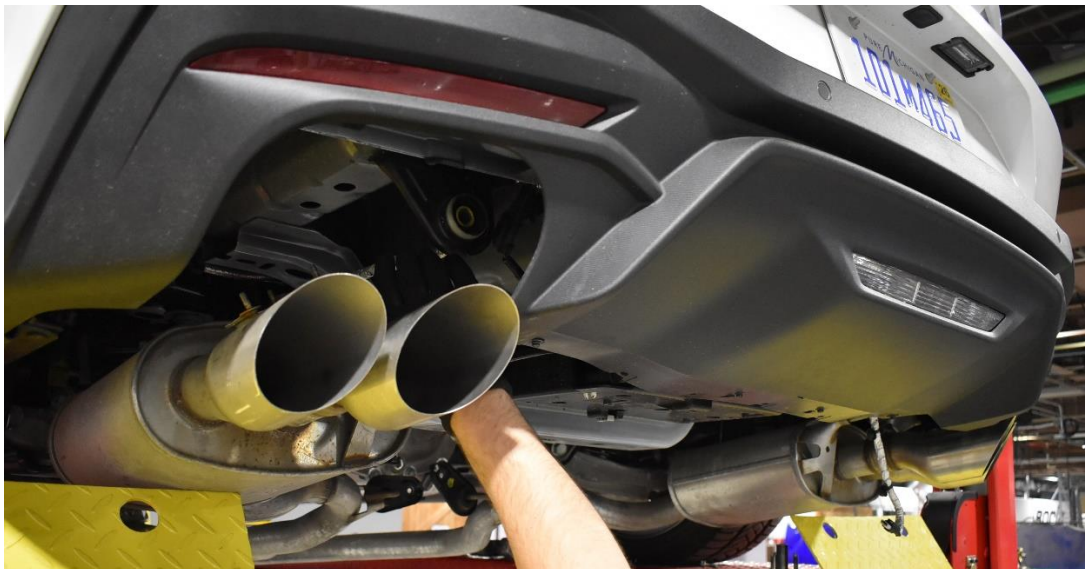
Mustang 2.3L catback exhaust

STEP 6: After loosening exhaust clamps, slide clamps back on exhaust pipe releasing it from the down pipes. Remove clamp from exhaust and slide back onto the downpipe.



Step 7: Allowing exhaust to hang down, remove rear mufflers from hangers by moving the exhaust system towards front of vehicle.

Note: Have someone help with this step.



Factory Ford shop manuals are available from Helm Publications, 1-800-782-4356



FORD PERFORMANCE

M-5200-M2EB/EC/EBV/ECV/SB/SC/SBV/SCV/TBV/TCV

Model 2024+

Mustang 2.3L catback exhaust

INSTALLATION INSTRUCTIONS:

Step 1: Install y-pipe by placing in the clamp on the downpipe. Snug but do not Tighten.



Step 2: Install factory hangers (previously removed) onto under axle pipes.



Factory Ford shop manuals are available from Helm Publications, 1-800-782-4356



FORD PERFORMANCE

M-5200-M2EB/EC/EBV/ECV/SB/SC/SBV/SCV/TBV/TCV

Model 2024+

Mustang 2.3L catback exhaust

Step 3: Install supplied clamps onto the expanded inlet of under axle pipes, slide pipes/clamps onto y-pipe. Using a 13mm socket install bolts in exhaust hangers in rear sub frame.



Factory Ford shop manuals are available from Helm Publications, 1-800-782-4356



FORD PERFORMANCE

M-5200-M2EB/EC/EBV/ECV/SB/SC/SBV/SCV/TBV/TCV
Model 2024+
Mustang 2.3L catback exhaust

Step 4: Using a 13mm socket tighten bolts to 25 nm (18 lb-ft) in rear Sub frame exhaust hangers.



NOTE: For systems with valves, the actuator will have to be removed from the factory system by removing 3 nuts as shown and attached to the valve on the new exhaust. The Factory bracket also needs to be installed in the factory location.



Factory Ford shop manuals are available from Helm Publications, 1-800-782-4356



FORD PERFORMANCE

M-5200-M2EB/EC/EBV/ECV/SB/SC/SBV/SCV/TBV/TCV

Model 2024+

Mustang 2.3L catback exhaust



Step 5: Install supplied clamps onto the new muffer inlets and slide muffer hangers into factory exhaust hangers. Next slide the mufflers over the under axle pipes, centering tips in rear bumper opening. Attach the wiring harness to the valves if applicable.



Factory Ford shop manuals are available from Helm Publications, 1-800-782-4356



FORD PERFORMANCE

M-5200-M2EB/EC/EBV/ECV/SB/SC/SBV/SCV/TBV/TCV

Model 2024+

Mustang 2.3L catback exhaust



Step 6: Check your exhaust system for proper clearance under the vehicle and also for tip alignment, tighten the clamps to 32-35 ft. lbs, checking tip alignment and clearances as you do. There should be a minimum gap of 25mm from the tips to the edge of the car, and the tips should be in 25mm from the outermost edge of the rear bumper.

Factory Ford shop manuals are available from Helm Publications, 1-800-782-4356



FORD PERFORMANCE

M-5200-M2EB/EC/EBV/ECV/SB/SC/SBV/SCV/TBV/TCV
Model 2024+
Mustang 2.3L catback exhaust

STEP 6: (cont'd) For the convertible, replace the brace and torque the fasteners to 47.5 nm (35 ft-lbs). Ref. picture on page 4. Check for clearance of the exhaust to the brace, differential housing, and body rail.



Factory Ford shop manuals are available from Helm Publications, 1-800-782-4356



FORD PERFORMANCE

M-5200-M2EB/EC/EBV/ECV/SB/SC/SBV/SCV/TBV/TCV

Model 2024+

Mustang 2.3L catback exhaust



STEP 7: Lower vehicle. Start vehicle and check for any leaks. If any leaks are found, determine cause (such as loose or incorrectly positioned clamp) and repair as necessary.

Congratulations!!! You have completed the installation of your new Ford Performance Parts Exhaust Kit.

Note: When you first start your vehicle after the installation of your new Ford Performance Parts Exhaust System, there may be some smoke and fumes coming from the system. This is a protective water based coating used in the manufacturing of mandrel bent performance exhaust tubing. This is not a problem and will disappear within a very short period of time after the exhaust has reached operating temperatures.

Factory Ford shop manuals are available from Helm Publications, 1-800-782-4356