



M-8200-FRD  
2019-2021MY Ranger  
"FORD" Grille Kit

NO PART OF THIS DOCUMENT MAY BE REPRODUCED WITHOUT PRIOR AGREEMENT AND WRITTEN PERMISSION OF  
FORD PERFORMANCE PARTS © Ford Motor Company 2020

**PRIOR TO INSTALLATION READ THESE INSTRUCTION COMPETELY**  
For questions, Call the FORD PERFORMANCE Techline 1-800-367-3788

Please visit <https://www.performanceparts.ford.com> for warranty information



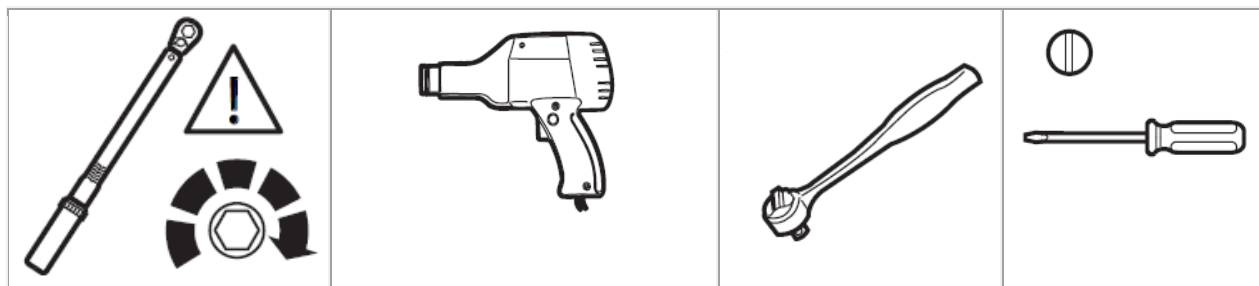
Ford Factory Shop Manual purchase options [www.motorcraftservice.com](http://www.motorcraftservice.com)

NO PART OF THIS DOCUMENT MAY BE REPRODUCED WITHOUT PRIOR AGREEMENT AND WRITTEN PERMISSION OF FORD PERFORMANCE PARTS © Ford Motor Company 2020

**Kit contents:**

<b>Description</b>	<b>Quantity</b>
FPP Ranger "FORD" Grille	1
Screws	4
Two piece Push Pins	5

**Special Tool(s) / General Equipment**



Ford Factory Shop Manual purchase options [www.motorcraftservice.com](http://www.motorcraftservice.com)



FORD PERFORMANCE

# M-8200-FRD 2019-2021MY Ranger "FORD" Grille Kit

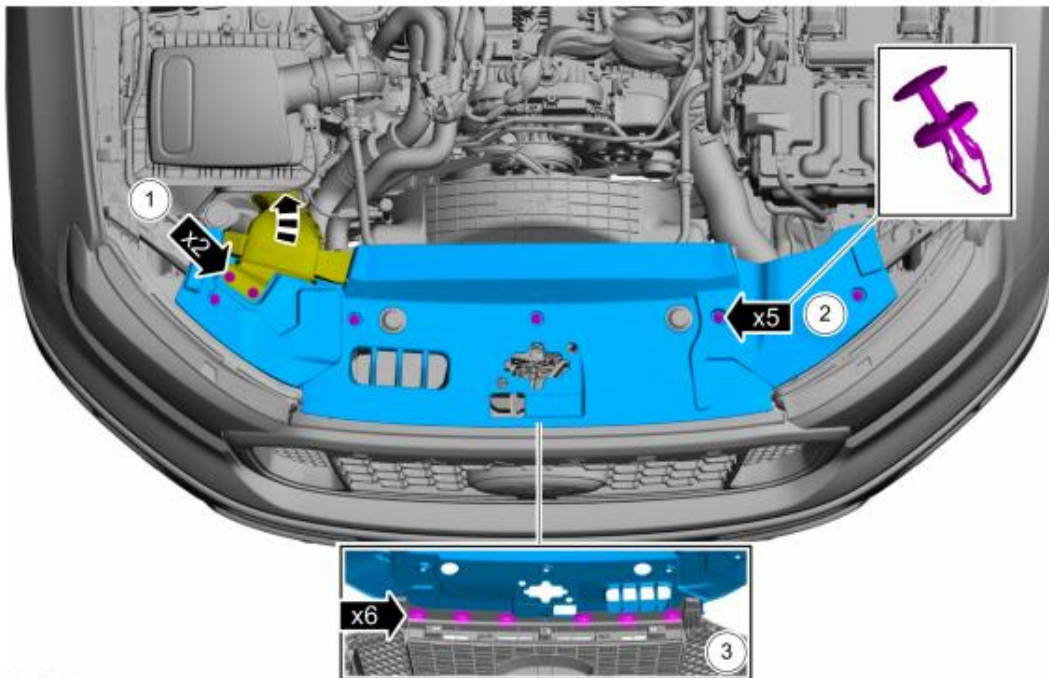
NO PART OF THIS DOCUMENT MAY BE REPRODUCED WITHOUT PRIOR AGREEMENT AND WRITTEN PERMISSION OF FORD PERFORMANCE PARTS © Ford Motor Company 2020

## Removal

**NOTE:** Removal steps in this procedure may contain installation details.

## All Vehicles

1. Remove underhood grille opening panel top shroud
  1. Remove the screws and position the air intake duct aside.
  2. Remove the push pins.
  3. Release the tabs and remove the radiator sight shield.

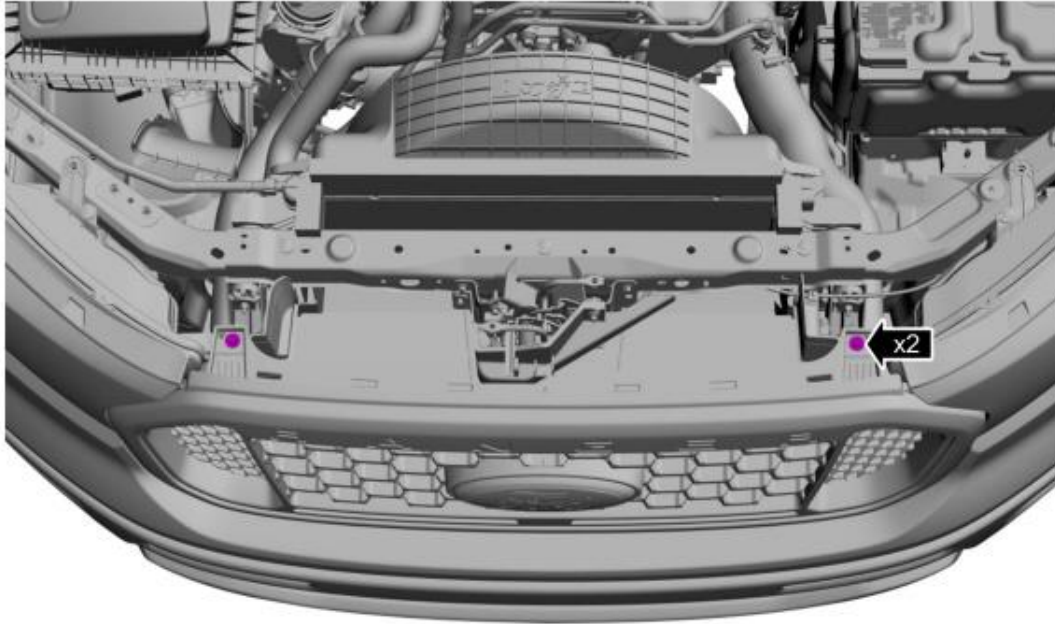


E316117

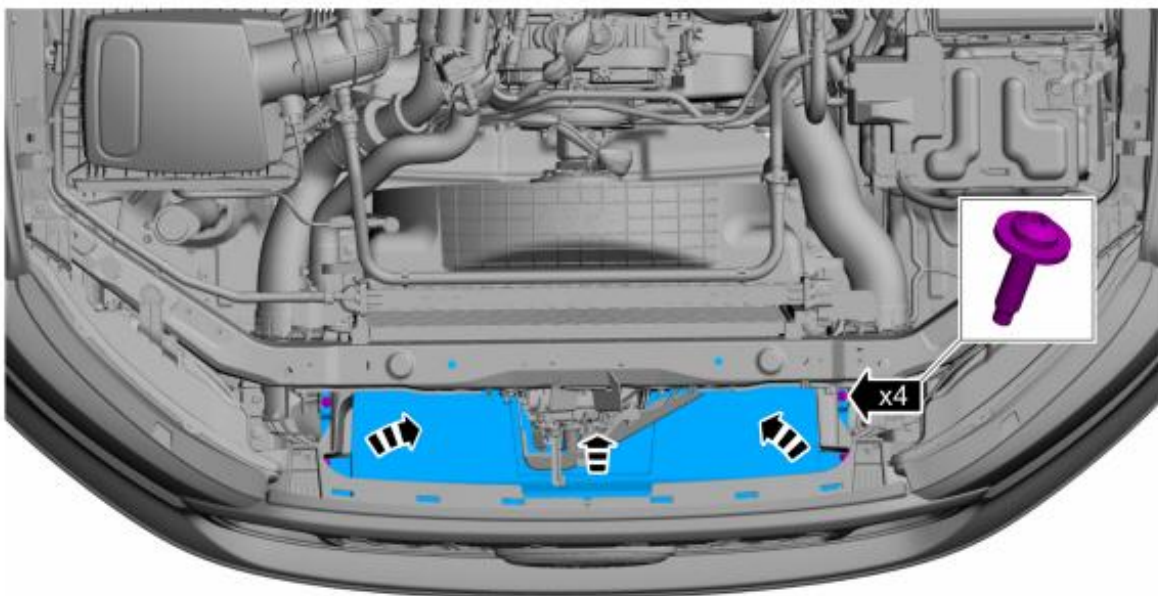
Ford Factory Shop Manual purchase options [www.motorcraftservice.com](http://www.motorcraftservice.com)

NO PART OF THIS DOCUMENT MAY BE REPRODUCED WITHOUT PRIOR AGREEMENT AND WRITTEN PERMISSION OF FORD PERFORMANCE PARTS © Ford Motor Company 2020

2. Remove the bolts.  
*Torque: 44 lb.in (5 Nm)*




3. Remove the screws and the radiator upper shield.  
*Torque: 42 lb.in (4.8 Nm)*

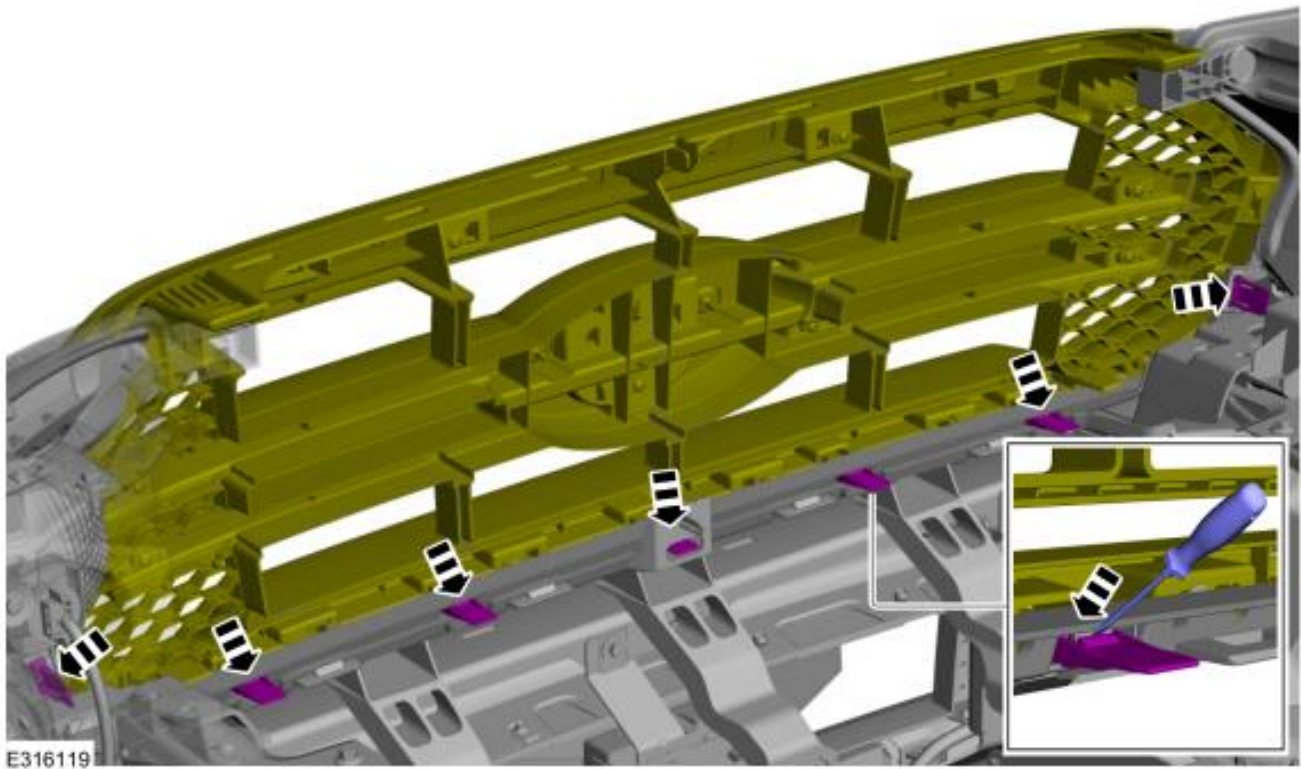


Ford Factory Shop Manual purchase options [www.motorcraftservice.com](http://www.motorcraftservice.com)

NO PART OF THIS DOCUMENT MAY BE REPRODUCED WITHOUT PRIOR AGREEMENT AND WRITTEN PERMISSION OF FORD PERFORMANCE PARTS © Ford Motor Company 2020

- Using an appropriate sized flat-blade screwdriver release the locking tabs from front bumper.  
Use the General Equipment: Flat Headed Screw Driver

 Extreme cold weather will cause breakage. A hair dryer can be used to localize warmth before flexing release tabs.



### Installation

- To install, reverse the removal procedure.

Ford Factory Shop Manual purchase options [www.motorcraftservice.com](http://www.motorcraftservice.com)