

2005-2016 4X4 SUPERDUTY FRONT AXLE BEAM KNUCKLE SEAL SHIELD KIT

KIT KTGC34-B10677-AA		
Part Number	Description	Quantity
GC34-B10677-AA	Shield Water Protection (Front)	4
5C34-1012-AA	Nut - Washer	8
SKGC34-B10677-AA	Instruction Sheet	1

USAGE:

This is a non-warrantable repair and not found in production. The knuckle seal shield is intended for severe duty usage and is used to protect the front knuckle seal on 4X4 Superduty trucks.

SERVICE PROCEDURE:

NOTES:

- The 4 shields (2 pieces on each side, RH and LH, will lay flat when installed). (Refer to Figure 1).
 - Do not remove all four knuckle nuts at the same time.
 - Turning the front wheels left or right aids in access to the nuts.
1. Remove two (2) rear nuts on the inside of the front knuckle to install one half of the shield. (Refer to Figure 2).
Do not remove all four knuckle nuts at the same time.
 2. Clean the seating surface of the knuckle where the shield will be installed to assure the mating area is free of any foreign matter.
 3. Place the flat half shield over the studs first, and replace the nuts using new nuts supplied in kit.
 4. Remove the two (2) front nuts, and install the other shield half. Replace the nuts. Torque new nuts to 175 N•m.
 5. Repeat the process for the other side of the vehicle.

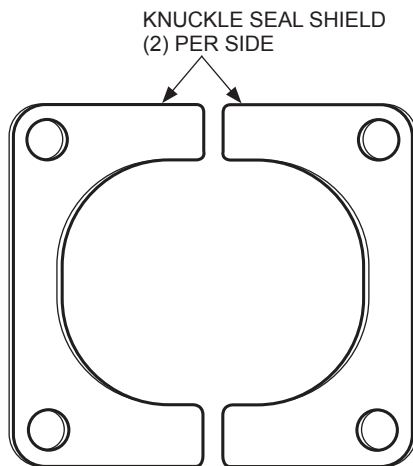


FIGURE 1

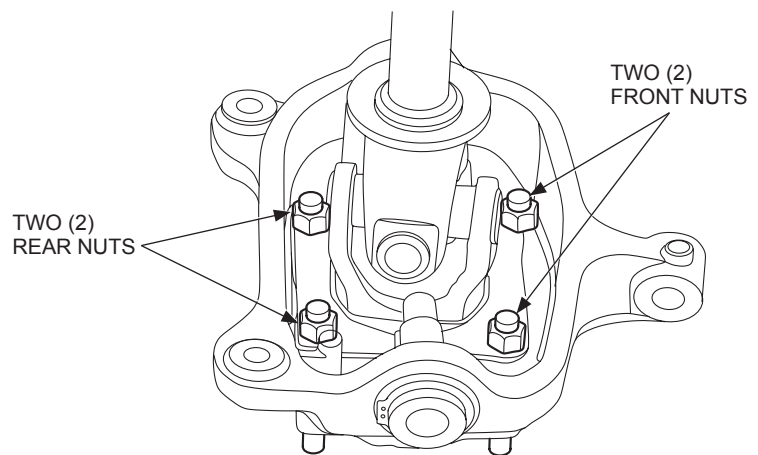


FIGURE 2

