



Part Number: M-16268-BCF / M-16268-BCFM
Part Description: 2022+ BRONCO RAPTOR CARBON FIBER FENDER FLARES

NO PART OF THIS DOCUMENT MAY BE REPRODUCED WITHOUT PRIOR AGREEMENT AND WRITTEN PERMISSION OF FORD PERFORMANCE PARTS.

Please visit www.performanceparts.ford.com for the most current instruction information

!!! PLEASE READ ALL OF THE FOLLOWING INSTRUCTIONS CAREFULLY PRIOR TO INSTALLATION.

AT ANY TIME YOU DO NOT UNDERSTAND THE INSTRUCTIONS, PLEASE CALL THE FORD PERFORMANCE TECHLINE AT 1-800-367-3788 !!!



Front & Rear Fender Flare Kit:

Quantity	Part Name
1	LH Fender Flare
1	RH Fender Flare
28	Flare Clip
14	Mud Flap Pin
1	LH Fender Flare
1	RH Fender Flare
1	LH Rear Door Flare
1	RH Rear Door Flare
42	Flare Clip (W722177-S300)
14	Mud Flap Pin (W715694-S300)
10	Door Flare Clip (W716352-S300)

Ford Factory Shop Manual purchase options www.motorcraftservice.com

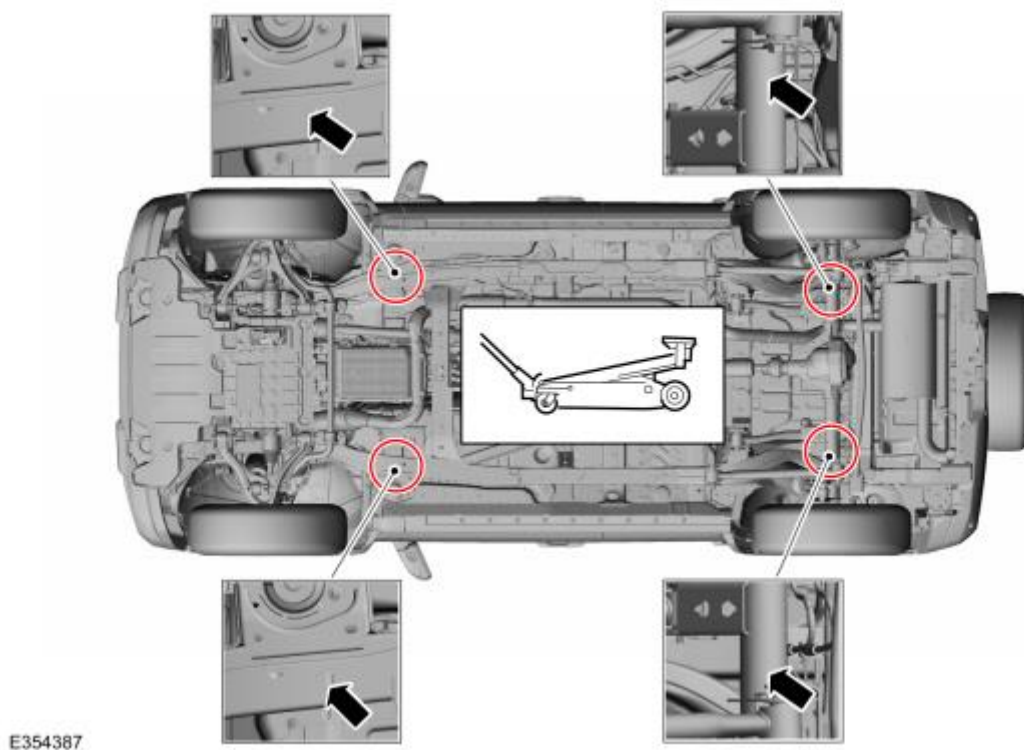
NO PART OF THIS DOCUMENT MAY BE REPRODUCED WITHOUT PRIOR AGREEMENT AND WRITTEN PERMISSION OF FORD PERFORMANCE PARTS.

NOTE: Removal steps in this procedure may contain installation details.

NOTE: LH side shown, RH side similar.

Step 1: With the vehicle in NEUTRAL, position it on a hoist.

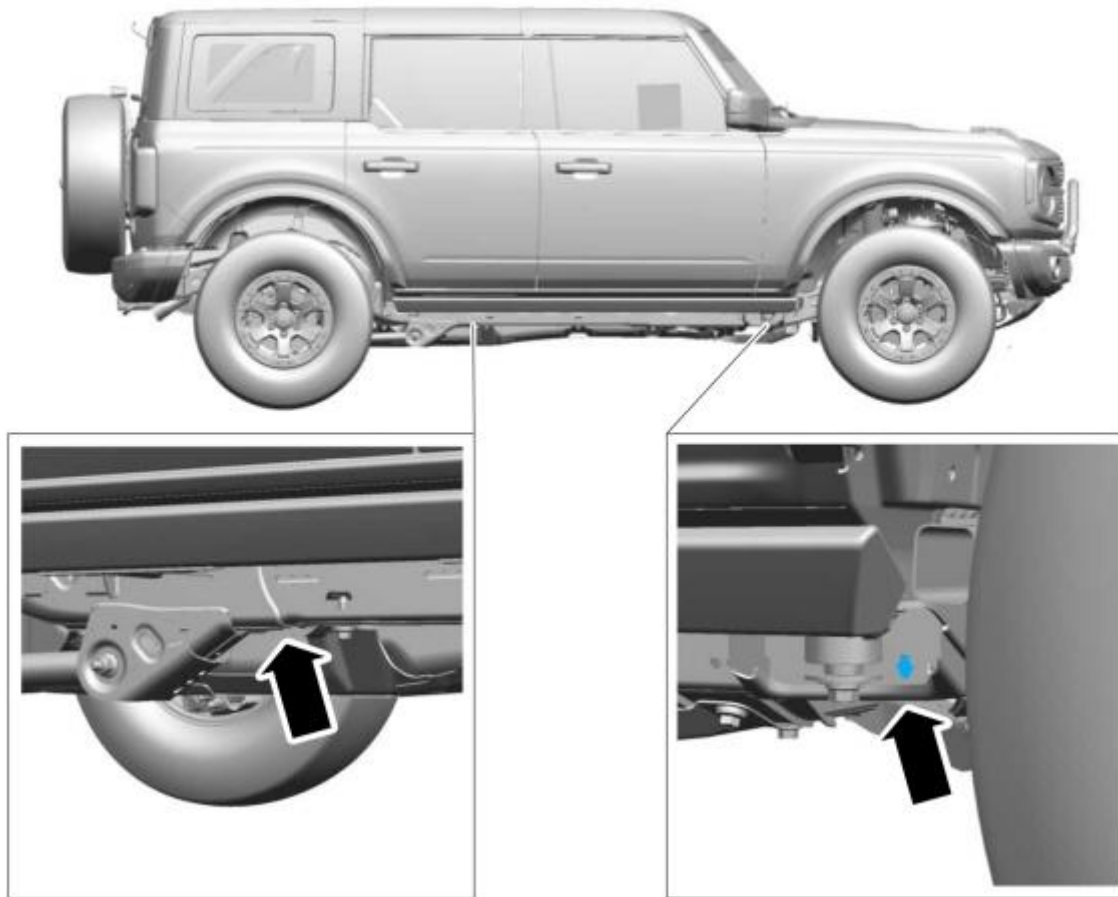
Jacking Points



Only the specified jacking points may be used for jacking and supporting the vehicle.

NO PART OF THIS DOCUMENT MAY BE REPRODUCED WITHOUT PRIOR AGREEMENT AND WRITTEN PERMISSION OF FORD PERFORMANCE PARTS.

Lifting Points



E348909

NOTE: *RH side shown, LH side similar.*

The lifting points for both the 2 and 4-door variants are aft of the front wheels on the chassis frame as indicated, and fore of the suspension rear trailing arm on the chassis frame.

⚠ WARNING: Before raising the vehicle on a hoist, make sure the hoist capacity is adequate for the vehicle weight, including any vehicle cargo or modifications. Always position the hoist lift arms as shown in section 100-02 of this manual. Do not use the engine to power the drive wheels unless all drive wheels are elevated off the ground. Incorrect hoist arm positioning or drive wheels in contact with the ground can cause unintended vehicle movement. Failure to follow these instructions may result in serious personal injury or death.



Part Number: M-16268-BCF / M-16268-BCFM
Part Description: 2022+ BRONCO RAPTOR CARBON FIBER FENDER FLARES

NO PART OF THIS DOCUMENT MAY BE REPRODUCED WITHOUT PRIOR AGREEMENT AND WRITTEN PERMISSION OF FORD PERFORMANCE PARTS.

⚠ WARNING: Position the hoist lift arms as shown in the illustration. Incorrect positioning could result in vehicle slipping or falling from the hoist. Failure to follow this instruction may result in serious personal injury.

⚠ WARNING: Never get underneath a vehicle that is supported only by a jack. The jack could unintentionally lower. Always support vehicle with floor stands. Failure to follow these instructions may result in serious personal injury.

⚠ WARNING: Identify the correct jacking points by locating the triangle stamped into the uni-body sheet metal or vehicle frame or molded into the body rocker moulding. Raising a vehicle in any other location may result in vehicle shifting or falling. Failure to follow this instruction may result in serious personal injury.

⚠ WARNING: Only raise the vehicle when positioned on a hard, level surface. Attempting to raise the vehicle on an uneven or soft surface may result in vehicle slipping or falling from the jack or jackstand. Failure to follow this instruction may result in serious personal injury.

⚠ WARNING: When jacking or lifting the vehicle, block all wheels remaining on the ground. Set the parking brake if the rear wheels will remain on the ground. These actions help prevent unintended vehicle movement. Failure to follow these instructions may result in serious personal injury.

NOTICE: The jack provided with the vehicle is intended to be used in an emergency for changing a deflated tire. To avoid damage to the vehicle, never use the jack to hoist the vehicle for any other purpose.

NOTICE: Do not attempt to jacking on the front bumper or the rear bumper on any vehicle. Damage to bumper covers will occur.

NOTICE: Do not attempt to jacking on the front control arm or rear control arm on any vehicle. Damage to control arms may occur.

NOTICE: Do not use the differential housing as a lift point. Leaks or damage to the rear axle cover and adjoining differential housing surface may occur if a floor jack or any lifting device is allowed to contact the cover at any point where the cover joins the housing.

NOTICE: Place blocks underneath the lifting points if a two-column hoist is used.

Ford Factory Shop Manual purchase options www.motorcraftservice.com



Part Number: M-16268-BCF / M-16268-BCFM
Part Description: 2022+ BRONCO RAPTOR CARBON FIBER FENDER FLARES

NO PART OF THIS DOCUMENT MAY BE REPRODUCED WITHOUT PRIOR AGREEMENT AND WRITTEN PERMISSION OF FORD PERFORMANCE PARTS.

NOTICE: Damage to the suspension, exhaust or steering linkage components may occur if care is not exercised when positioning the hoist adapters prior to lifting the vehicle.

NOTICE: To prevent possible damage to the underbody, do not drive the vehicle onto the drive-on lift without first checking for possible interference.

NOTICE: When raising a vehicle on a two-column hoist, use care when positioning the vehicle so that the hoisting forks do not interfere with suspension components, mounting brackets or stabilizer mounting brackets, if equipped. In addition, use care in hoist positioning to avoid possible damage to the axle or rear cover.

Step 2: Remove the wheel nuts. Remove the LH & RH front wheel and tire.

NOTICE: Do not use heat to loosen a seized wheel nut.

NOTICE: Do not use power tools on locking wheel nuts.

NOTE: Use metric hexagonal socket.

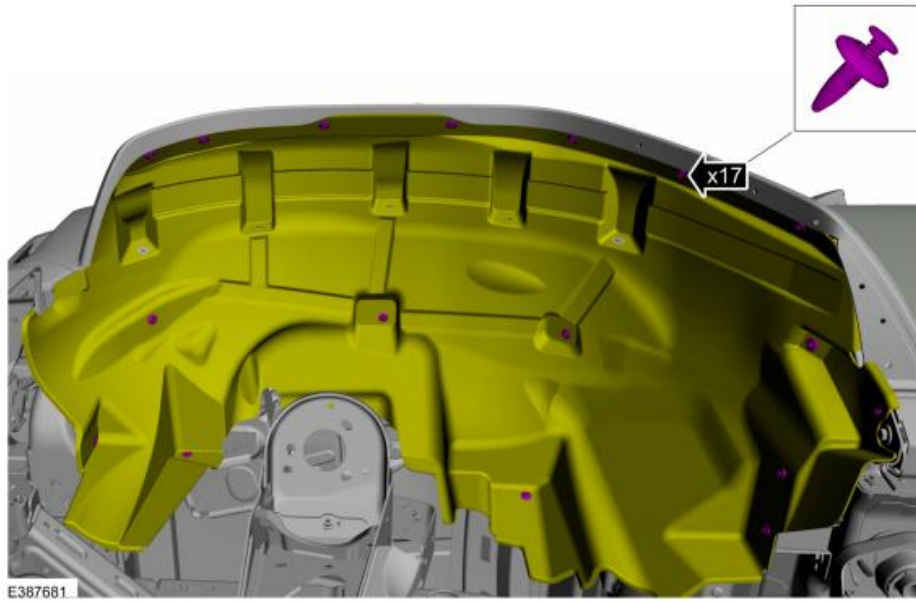


E351488

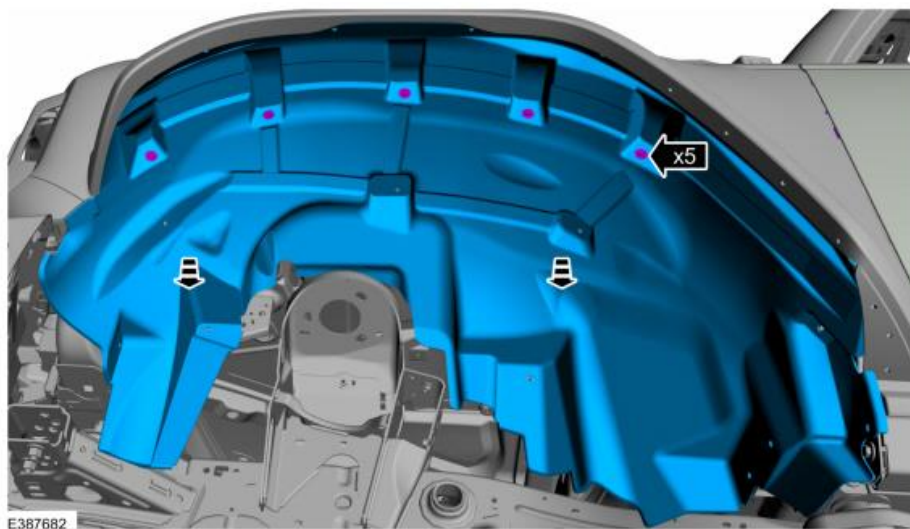
Ford Factory Shop Manual purchase options www.motorcraftservice.com

NO PART OF THIS DOCUMENT MAY BE REPRODUCED WITHOUT PRIOR AGREEMENT AND WRITTEN PERMISSION OF FORD PERFORMANCE PARTS.

Step 3: Remove the fender splash shields. Remove the trim pins.



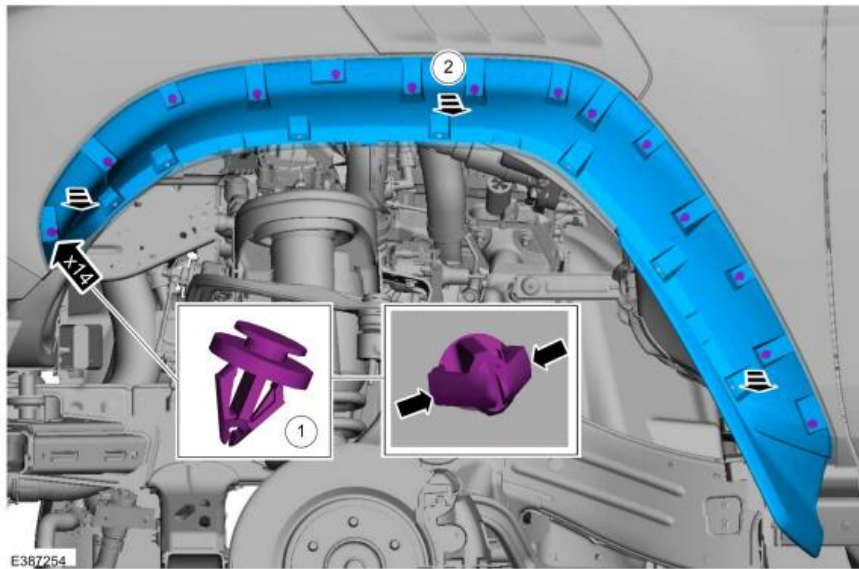
Step 4: Remove the screws and the fender splash shield. *Torque: 15 lb.in (1.7 Nm)*



NO PART OF THIS DOCUMENT MAY BE REPRODUCED WITHOUT PRIOR AGREEMENT AND WRITTEN PERMISSION OF FORD PERFORMANCE PARTS.

Step 5: Remove the front fender flare.

1. Press the lugs and release the pushpins from fender.
2. Remove the front fender flare.



Step 6: Remove the (7) pin type retainers attaching the lower mud flap to the fender flare.

Step 7: Attach the lower mud flap to the new fender flares using (7) of the provided pin type retainers.

NO PART OF THIS DOCUMENT MAY BE REPRODUCED WITHOUT PRIOR AGREEMENT AND WRITTEN PERMISSION OF FORD PERFORMANCE PARTS.

Step 8: Install (14) of the provided flare retaining clips to the new carbon fiber fender flare.



Step 9: To install the carbon fiber fender flare, reverse the removal procedure.

NOTE: When installing the carbon fiber fender flares, apply pressure to each area where a fastener is located until you hear/feel that fastener click into position. Simultaneously pull on the edge of the fender towards yourself while pressing on each fastener location once on the carbon fiber fender flare until you hear/feel a second click to ensure full fastener engagement.

Step 10: Install the front fender splash shields.

Step 11: Install the front wheel and tire and install the wheel nuts.

NOTE: Only tighten the nuts finger tight at this stage.

Step 12: Remove the wheel nuts. Remove the LH & RH rear wheel and tire.

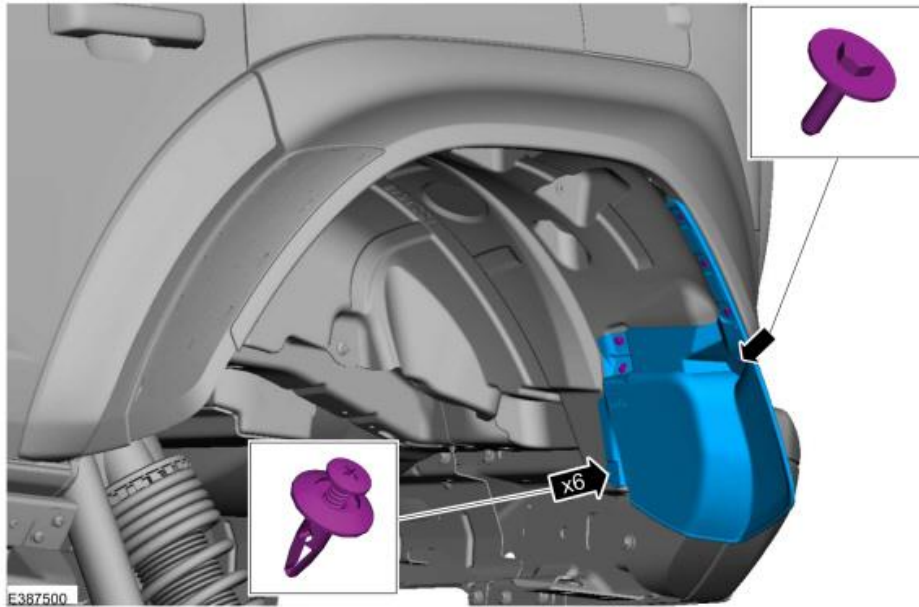
NOTICE: Do not use heat to loosen a seized wheel nut.

NOTICE: Do not use power tools on locking wheel nuts.

NOTE: Use metric hexagonal socket.

NO PART OF THIS DOCUMENT MAY BE REPRODUCED WITHOUT PRIOR AGREEMENT AND WRITTEN PERMISSION OF FORD PERFORMANCE PARTS.

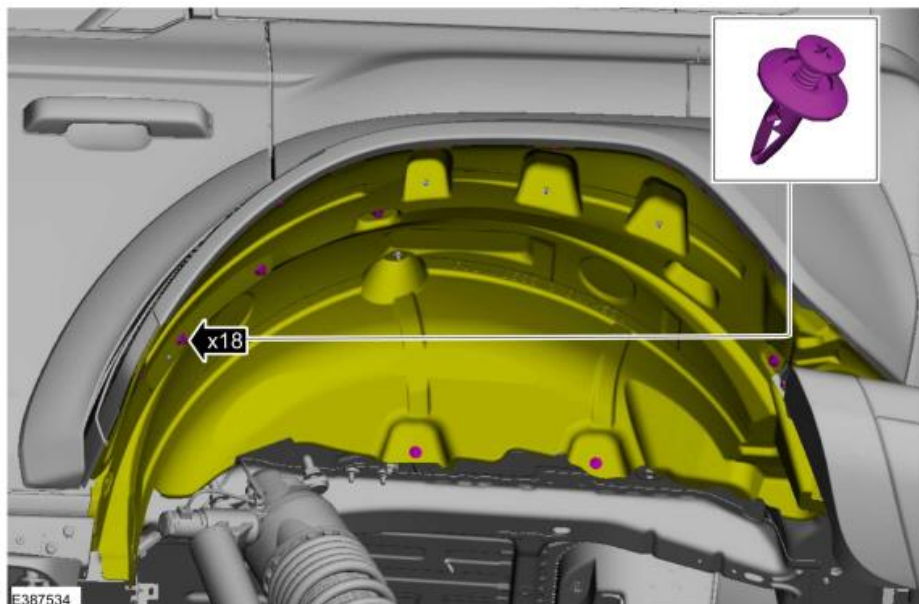
- Step 13:** Remove the bolt and retainers and rear shield wheel splash.
Torque: 15 lb.in (1.7 Nm)



- Step 14:** Remove the retainers.

NOTE: Removal steps in this procedure may contain installation details.

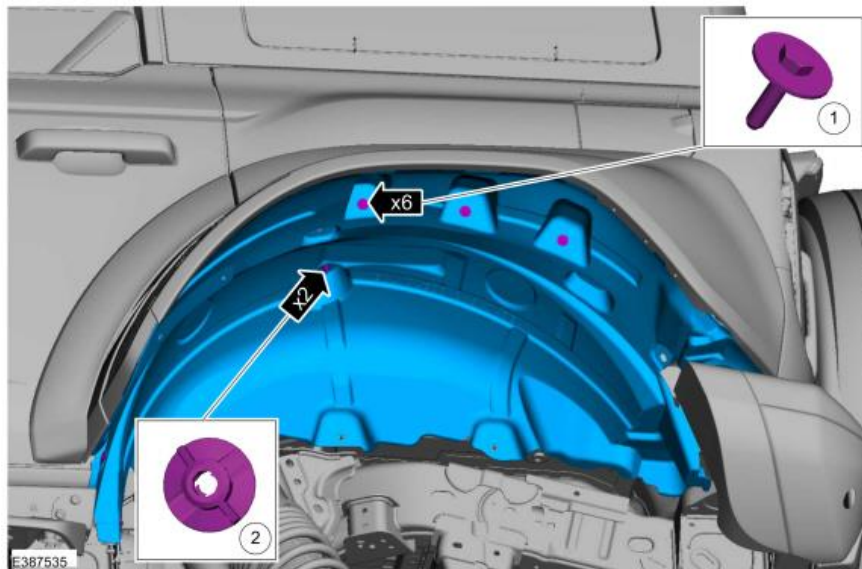
NOTE: LH side shown, RH side similar.



NO PART OF THIS DOCUMENT MAY BE REPRODUCED WITHOUT PRIOR AGREEMENT AND WRITTEN PERMISSION OF
FORD PERFORMANCE PARTS.

Step 15: Remove the rear fender splash shield.

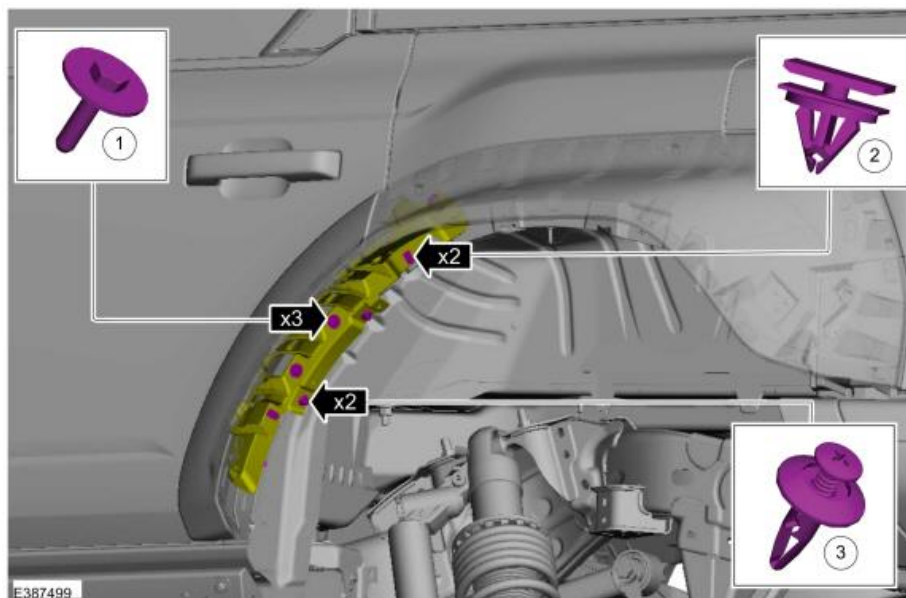
1. Remove the screws.
Torque: 15 lb.in (1.7 Nm)
2. Remove the clips and rear fender splash shield.



NO PART OF THIS DOCUMENT MAY BE REPRODUCED WITHOUT PRIOR AGREEMENT AND WRITTEN PERMISSION OF FORD PERFORMANCE PARTS.

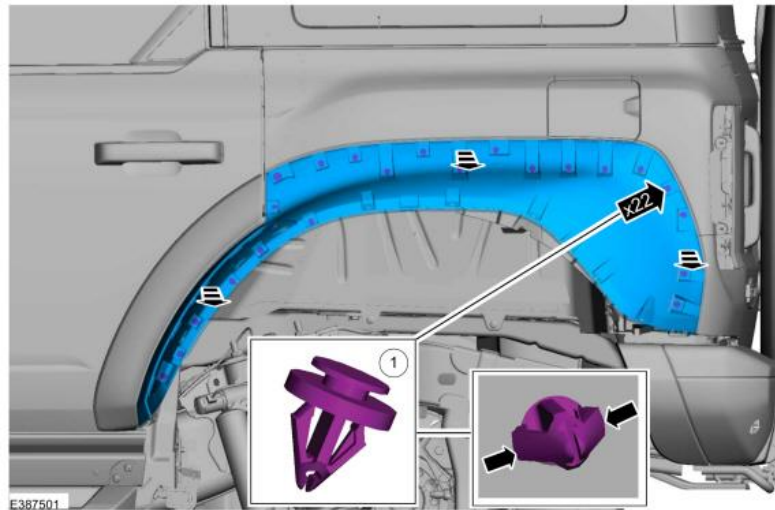
Step 16: Loosen the wheel molding bracket.

1. Remove the screws.
Torque: 97 lb.in (11 Nm)
2. Press the lugs and release the push pin retainers from panel body.
3. Remove the retainers.



NO PART OF THIS DOCUMENT MAY BE REPRODUCED WITHOUT PRIOR AGREEMENT AND WRITTEN PERMISSION OF FORD PERFORMANCE PARTS.

Step 17: Remove the rear fender flare. Press the lugs and release pushpins from the quarter panel and remove the rear fender flare.



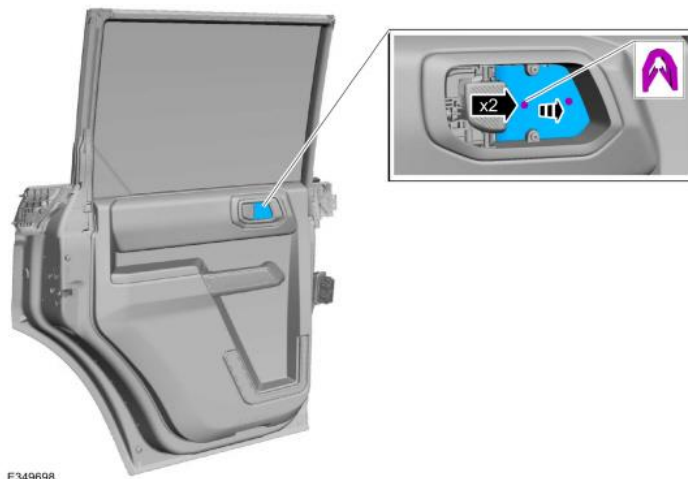
Step 18: Remove the LH side rear door trim.

NOTE: LH side shown, RH side similar.

NOTE: Removal steps in this procedure may contain installation details.

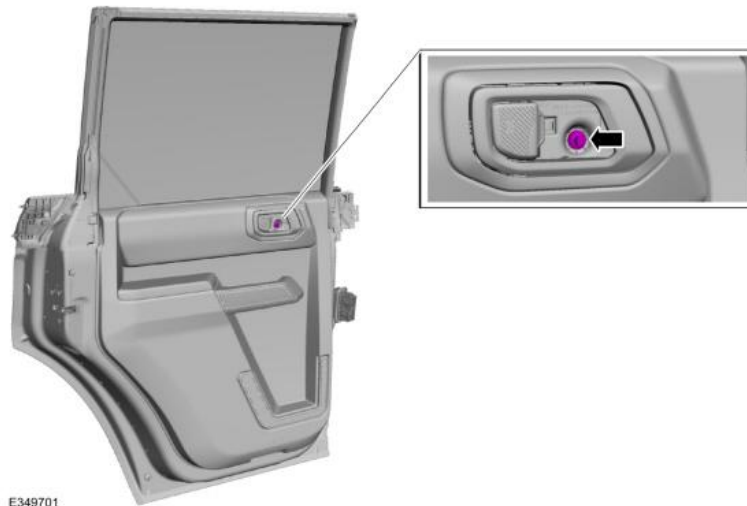
NOTE: Interior rear door handle removed for clarity.

Release the clips and remove the interior rear door handle bolt cover.
Use the General Equipment: Pick Hook



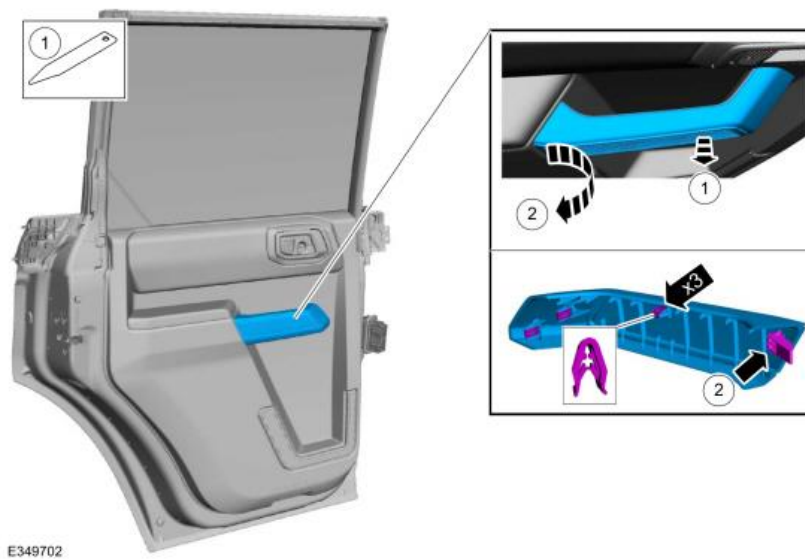
NO PART OF THIS DOCUMENT MAY BE REPRODUCED WITHOUT PRIOR AGREEMENT AND WRITTEN PERMISSION OF FORD PERFORMANCE PARTS.

Step 19: Remove the interior rear door handle bolt. *Torque: 36 lb.in (4.1 Nm)*



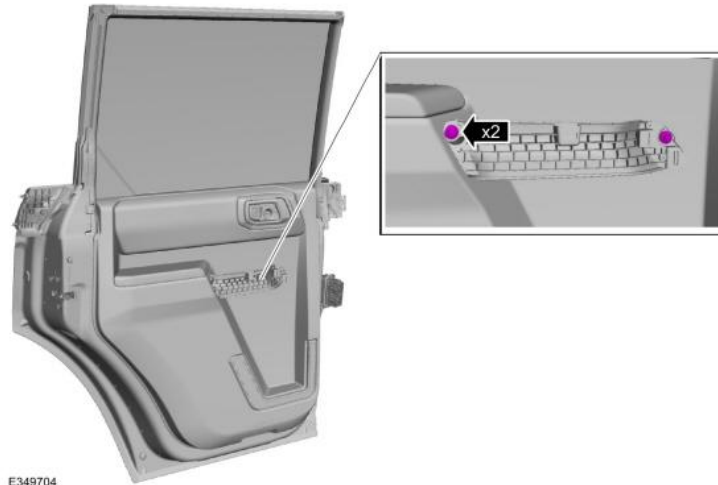
Step 20: Remove the rear door trim panel bolt cover.

1. Release the clips.
Use the General Equipment: Interior Trim Remover
2. Release the rear tab.

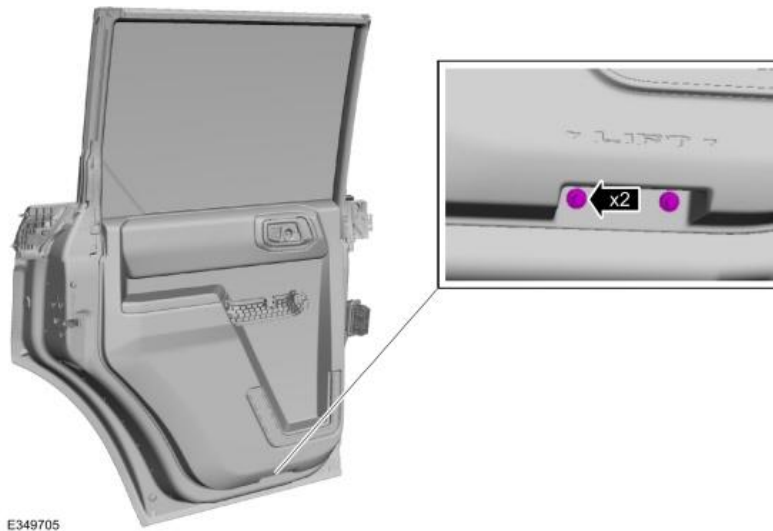


NO PART OF THIS DOCUMENT MAY BE REPRODUCED WITHOUT PRIOR AGREEMENT AND WRITTEN PERMISSION OF FORD PERFORMANCE PARTS.

Step 21: Remove the rear door trim panel bolts. *Torque: 36 lb.in (4.1 Nm)*



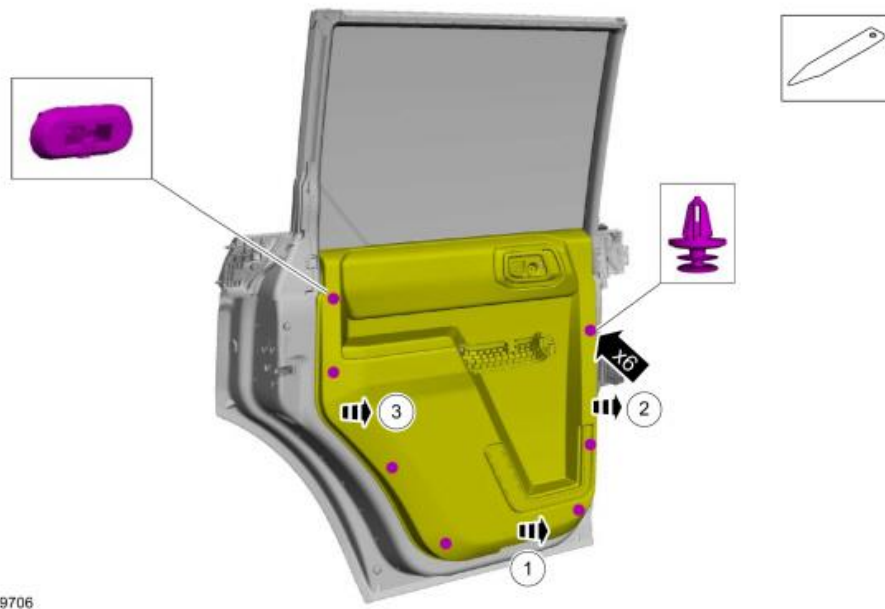
Step 22: Remove the rear door trim panel lower bolts. *Torque: 36 lb.in (4.1 Nm)*



NO PART OF THIS DOCUMENT MAY BE REPRODUCED WITHOUT PRIOR AGREEMENT AND WRITTEN PERMISSION OF FORD PERFORMANCE PARTS.

Step 23: Release the rear door trim panel clips.

1. Release the rear door trim panel lower clips.
Use the General Equipment: Interior Trim Remover
2. Release the rear door trim panel RH side clips.
Use the General Equipment: Interior Trim Remover
3. Release the rear door trim panel LH side clips.
Use the General Equipment: Interior Trim Remover



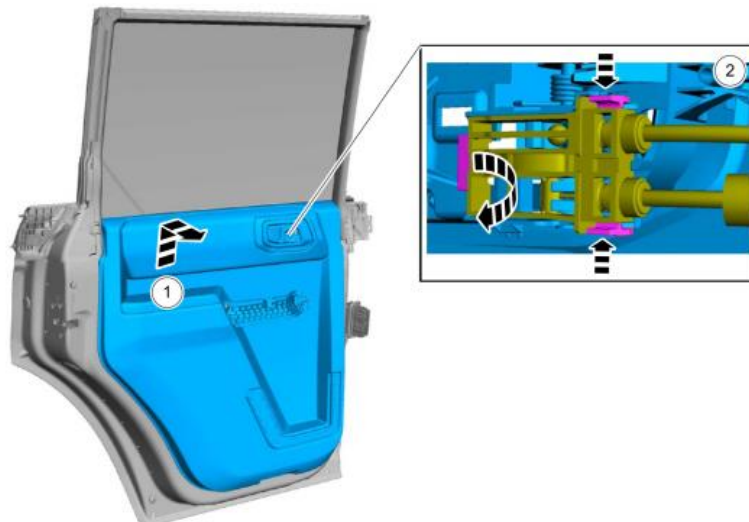
NOTICE: For re-installation, the tabs must be re-engaged to prevent the interior front door handle from becoming non-functional.

NO PART OF THIS DOCUMENT MAY BE REPRODUCED WITHOUT PRIOR AGREEMENT AND WRITTEN PERMISSION OF FORD PERFORMANCE PARTS.

Step 24: Remove the rear door trim panel.

1. Lift upward and outward on the rear door trim panel.
2. **NOTE:** *Follow the unique instructions or graphic for this step in installation.*

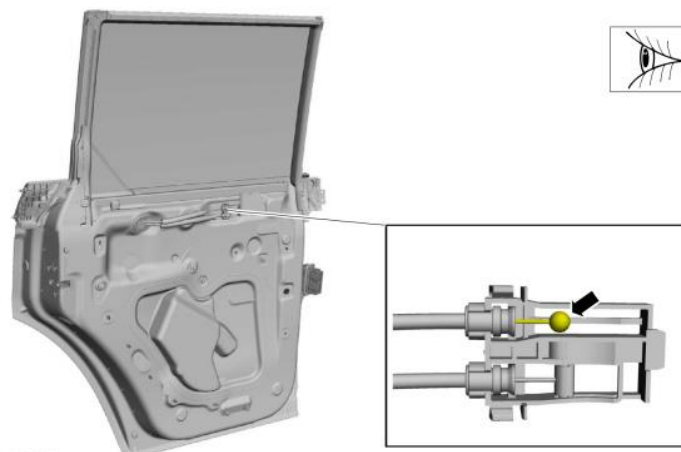
Release the tabs and position the interior rear door cable aside.



Step 25: To install, reverse the removal procedure.

NOTICE: The manual door lock cable must be in the locked position prior to reassembly or the door lock feature may not function correctly after installation.

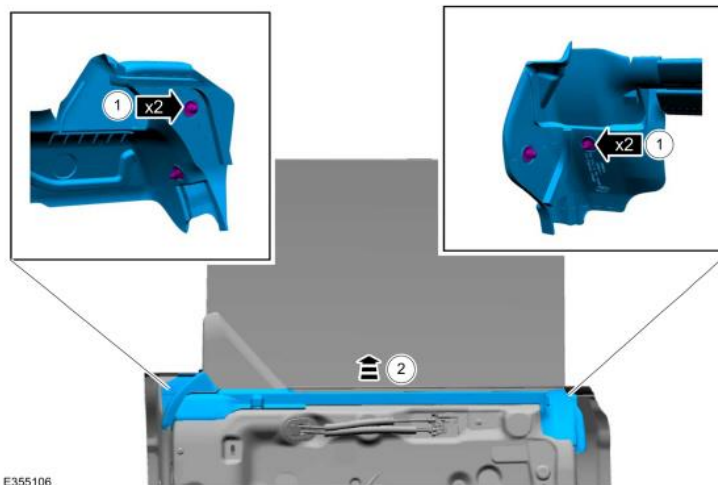
Verify that the manual lock cable is placed inward to the locked position.



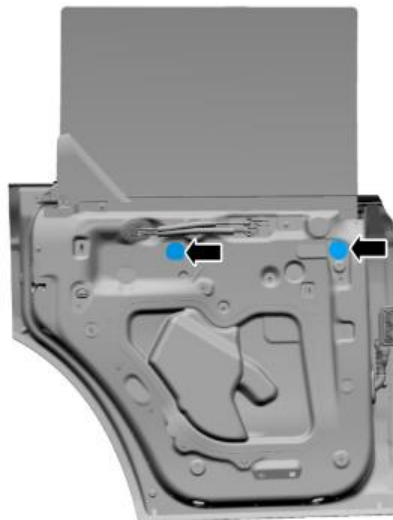
NO PART OF THIS DOCUMENT MAY BE REPRODUCED WITHOUT PRIOR AGREEMENT AND WRITTEN PERMISSION OF FORD PERFORMANCE PARTS.

Step 26: Remove the rear door window glass. Remove the rear door window glass inner belt moulding.

1. Release the retaining clips.
2. Remove the rear door window glass inner belt moulding.



Step 27: Remove the rear door window glass adhesive covers.

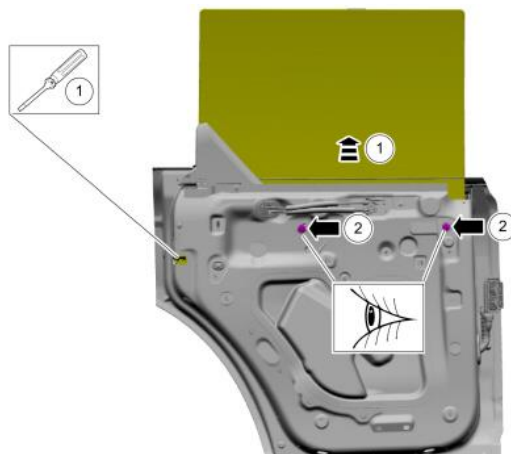


NO PART OF THIS DOCUMENT MAY BE REPRODUCED WITHOUT PRIOR AGREEMENT AND WRITTEN PERMISSION OF FORD PERFORMANCE PARTS.

Step 28: Raise and align the rear door window glass.

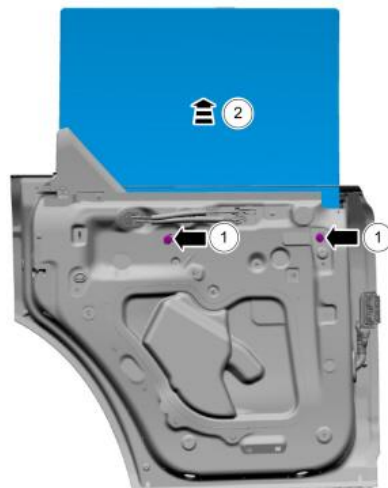
1. Position the rear door latch into the closed position and the rear door window glass will raise to the full up position
Use the General Equipment: Flat Headed Screw Driver
2. Confirm the rear door window glass screws are aligned with the access openings.

NOTICE: Make sure to release the rear door latch to the open position before closing the rear door.
Damage to the rear door latch may occur.



Step 29: Remove the rear door window glass.

1. Remove the bolts. *Torque:* 93 lb.in (10.5 Nm)
2. Remove the rear door window glass.

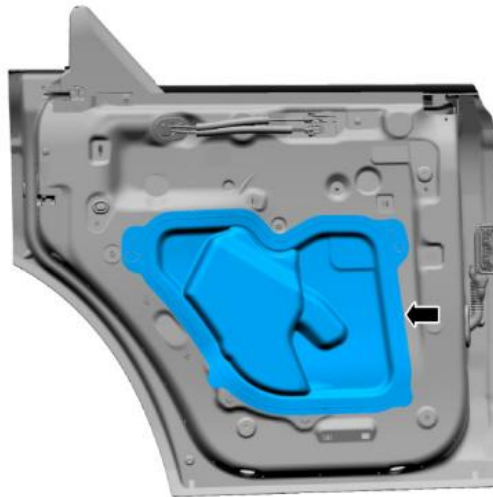


E355109

Ford Factory Shop Manual purchase options www.motorcraftservice.com

NO PART OF THIS DOCUMENT MAY BE REPRODUCED WITHOUT PRIOR AGREEMENT AND WRITTEN PERMISSION OF FORD PERFORMANCE PARTS.

Step 30: Remove the rear door watershield.



E355122

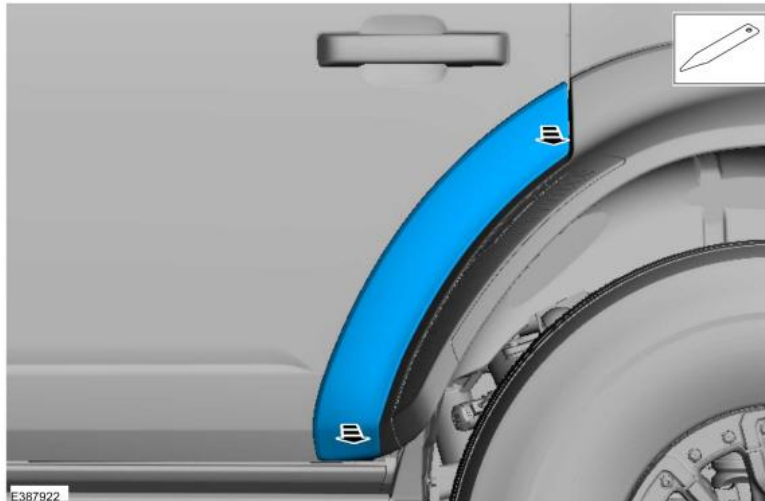
Step 31: Press the lugs from the interior of the door and release the retainers from the door.



E387921

NO PART OF THIS DOCUMENT MAY BE REPRODUCED WITHOUT PRIOR AGREEMENT AND WRITTEN PERMISSION OF FORD PERFORMANCE PARTS.

Step 32: Using the interior trim remover, pry and slowly allow tape to start release and remove the rear door flare.



Step 33: Remove any tape remaining on the door by rolling off with thumbs.

NOTE: *Not to use solvents to remove the tape or damage to the rear door flare*

Step 34: To install, remove the protective film from the 2 sided tape on your carbon fiber rear door flare and reverse the removal procedure.

Step 35: To install the carbon fiber rear flare, reverse the removal procedure.

Step 36: Install the rear fender splash shields.



Part Number: M-16268-BCF / M-16268-BCFM
Part Description: 2022+ BRONCO RAPTOR CARBON FIBER FENDER FLARES

NO PART OF THIS DOCUMENT MAY BE REPRODUCED WITHOUT PRIOR AGREEMENT AND WRITTEN PERMISSION OF FORD PERFORMANCE PARTS.

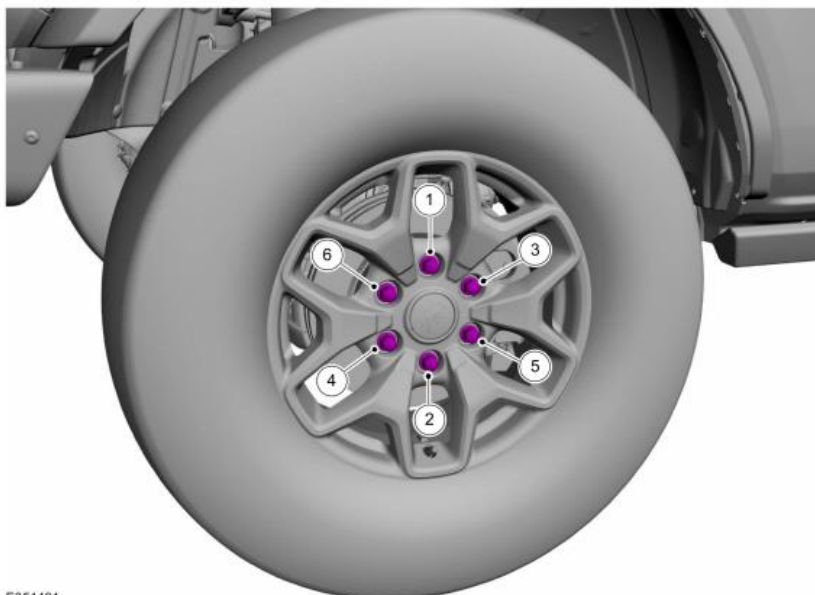
Step 37: Install the wheel and tire and install the wheel nuts.

NOTE: *Only tighten the nuts finger tight at this stage.*



E351489

Step 38: Install the wheel nuts, torque all (4) wheels on vehicle. For Bronco Raptor (M14 Wheel Stud), tighten to 200 Nm (147.5 lb-ft).



E351491

Ford Factory Shop Manual purchase options www.motorcraftservice.com



FORD PERFORMANCE

Part Number: M-16268-BCF / M-16268-BCFM
Part Description: 2022+ BRONCO RAPTOR CARBON FIBER FENDER FLARES

NO PART OF THIS DOCUMENT MAY BE REPRODUCED WITHOUT PRIOR AGREEMENT AND WRITTEN PERMISSION OF FORD PERFORMANCE PARTS.

⚠ WARNING: Retighten wheel nuts within 160 km (100 mi) after a wheel is reinstalled. Wheels can loosen after initial tightening. Failure to follow this instruction may result in serious injury to vehicle occupant(s).

NOTICE: Failure to tighten the wheel nuts in a star/cross pattern can result in high brake disc runout, which accelerates the development of brake roughness, shudder and vibration.

NOTE: *The wheel nut torque specification is for clean, dry wheel stud and wheel nut threads.*

NOTE: *Use metric hexagonal socket.*

NOTE: *Final tightening to be performed with vehicle resting on tires.*



FORD PERFORMANCE

Part Number: M-16268-BCF / M-16268-BCFM
Part Description: 2022+ BRONCO RAPTOR CARBON FIBER FENDER FLARES

NO PART OF THIS DOCUMENT MAY BE REPRODUCED WITHOUT PRIOR AGREEMENT AND WRITTEN PERMISSION OF FORD PERFORMANCE PARTS.

Care

Carbon fiber products are durable, but still requires care and maintenance to stay looking good. More specifically, keep the products clean and minimize exposure to the sun. Gloss finish products should be waxed with a car care product designated for clear coat finishes (non-abrasive). Matte finish products should not be waxed, surface may become spotty. Grease or fingerprints may be reduced from matte finish with rubbing alcohol. Do not use high heat to apply wrap, PPF or ceramic coating as the heat may damage the clear finish and/or the resin within the carbon fiber product. Do not drive your vehicle equipped with carbon fiber products through an automated or commercial car wash due to the high-water pressure, high water temperature and unknown soap content. Wash your vehicle by hand with low water pressure, low water temperature and a quality automotive grade Ph neutral soap formulated to minimize scratching and fading (intended for late model clear coat finishes). Do not use a high-pressure wand on carbon fiber surfaces.

Ford Factory Shop Manual purchase options www.motorcraftservice.com